



(51) International Patent Classification:
A63F 13/00 (2014.01)

(21) International Application Number:
PCT/US2014/040093

(22) International Filing Date:
29 May 2014 (29.05.2014)

(25) Filing Language: English

(26) Publication Language: English

(30) Priority Data:
61/828,566 29 May 2013 (29.05.2013) US

(71) Applicant: **GAMBLIT GAMING, LLC** [US/US]; 620 North Brand Boulevard, Suite 500, Glendale, CA 91203 (US).

(72) Inventors: **ARNONE, Miles**; c/o Gamblit Gaming, LLC, 620 North Brand Boulevard, Suite 500, Glendale, CA 91203 (US). **MEYERHOFER, Eric**; c/o Gamblit Gaming, LLC, 620 North Brand Boulevard, Suite 500, Glendale, CA 91203 (US). **CHANG, David**; c/o Gamblit Gaming,

LLC, 620 North Brand Boulevard, Suite 500, Glendale, CA 91203 (US).

(74) Agent: **CIRE, Frank**; c/o Gamblit Gaming, LLC, 620 North Brand Boulevard, Suite 500, Glendale, CA 91203 (US).

(81) Designated States (unless otherwise indicated, for every kind of national protection available): AE, AG, AL, AM, AO, AT, AU, AZ, BA, BB, BG, BH, BN, BR, BW, BY, BZ, CA, CH, CL, CN, CO, CR, CU, CZ, DE, DK, DM, DO, DZ, EC, EE, EG, ES, FI, GB, GD, GE, GH, GM, GT, HN, HR, HU, ID, IL, IN, IR, IS, JP, KE, KG, KN, KP, KR, KZ, LA, LC, LK, LR, LS, LT, LU, LY, MA, MD, ME, MG, MK, MN, MW, MX, MY, MZ, NA, NG, NI, NO, NZ, OM, PA, PE, PG, PH, PL, PT, QA, RO, RS, RU, RW, SA, SC, SD, SE, SG, SK, SL, SM, ST, SV, SY, TH, TJ, TM, TN, TR, TT, TZ, UA, UG, US, UZ, VC, VN, ZA, ZM, ZW.

(84) Designated States (unless otherwise indicated, for every kind of regional protection available): ARIPO (BW, GH, GM, KE, LR, LS, MW, MZ, NA, RW, SD, SL, SZ, TZ,

[Continued on next page]

(54) Title: USER SELECTABLE GAMBLING GAME HYBRID GAME

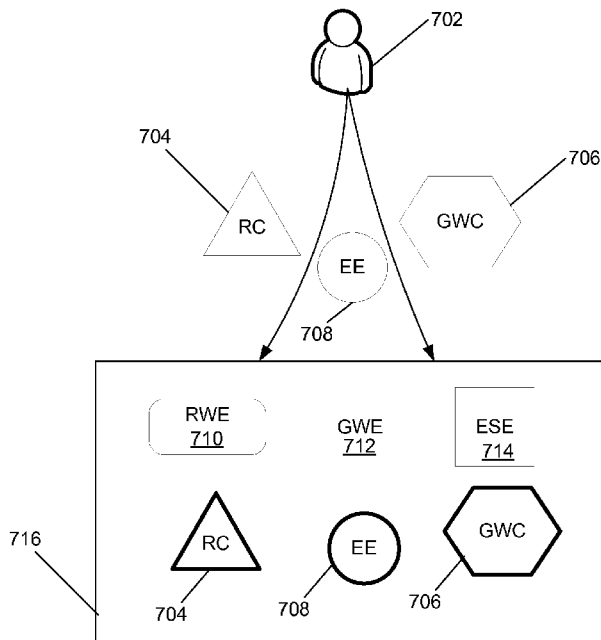


FIG. 7

(57) Abstract: A hybrid game that includes a real world engine constructed to provide a randomly generated payout of real world credits from a real credit wager for a plurality of gambling games, an entertainment software engine constructed to execute an entertainment game providing outcomes based upon skillful execution of the entertainment game to earn a payout of game world credits, and a game world engine constructed to manage the entertainment software engine and communicate gameplay gambling event occurrences based upon skillful execution of the entertainment game that trigger at least one wager in the gambling game to the gambling game, receive entertainment game variable data from the entertainment software engine to determine what type of gambling game to execute, from a plurality of gambling games.

WO 2014/194142 A1

UG, ZM, ZW), Eurasian (AM, AZ, BY, KG, KZ, RU, TJ, TM), European (AL, AT, BE, BG, CH, CY, CZ, DE, DK, EE, ES, FI, FR, GB, GR, HR, HU, IE, IS, IT, LT, LU, LV, MC, MK, MT, NL, NO, PL, PT, RO, RS, SE, SI, SK, SM, TR), OAPI (BF, BJ, CF, CG, CI, CM, GA, GN, GQ, GW, KM, ML, MR, NE, SN, TD, TG).

Published:

- *with international search report (Art. 21(3))*
- *before the expiration of the time limit for amending the claims and to be republished in the event of receipt of amendments (Rule 48.2(h))*

USER SELECTABLE GAMBLING GAME HYBRID GAME

CROSS-REFERENCE TO RELATED APPLICATIONS

[0001] The current application claims priority to US Provisional Application No. 61/828566, filed May 29, 2013, the disclosure of which is incorporated herein by reference as if set forth herewith.

FIELD OF THE INVENTION

[0002] Embodiments of the present invention are generally related to gaming and more specifically to systems and processes that provide a hybrid game having a selectable gambling game in which a type of gambling game is selected during play of an entertainment game.

BACKGROUND

[0003] The gaming machine manufacturing industry provides a variety of gaming machines to enable wagering for interested parties whilst providing an entertainment experience. An exemplary gaming machine is a slot machine. As the demographic of eligible players has shifted with time to newer generations who have grown accustomed to highly sophisticated graphics and interactive video games, a need has arisen to increase the entertainment content present on a gaming machine to keep it relevant, at least to a growing portion of a casino's patronage. The subject design is a form of gaming machine, designed for use in a physical or virtual casino environment, which provides players an environment in which to play for cash, prizes and points, either against the casino or in head to head modes in a controlled and regulated manner while being allowed to use their skills and adeptness at a particular type of game. An example of such a game would be a challenging word spelling game, or an interactive action game such as is found on video game consoles popular today, such as a PlayStation®, an Xbox®, a Wii® or a PC based game.

[0004] The disclosed embodiments relate generally to an interactive entertainment game where skill and chance may coalesce to provide a rich arcade-style gaming experience, visually exciting and challenging, where players may wager cash, credits prizes and points in order to win more of the foregoing. Many of the embodiments of the design provide an enticing method of gaming to the players who expect a high level of entertainment content in their gaming experience compared to the relatively simple game methods in use today.

[0005] In accordance with embodiments of this invention, a user selectable gambling game hybrid game, comprises a real world engine constructed to provide a randomly generated payout of real world credits from a real credit wager for a plurality of gambling games, an entertainment software engine constructed to execute an entertainment game providing outcomes based upon skillful execution of the entertainment game to earn a payout of game world credits, and a game world engine constructed to manage the entertainment software engine and communicate gameplay gambling event occurrences based upon skillful execution of the entertainment game that trigger at least one wager in the gambling game to the gambling game, receive entertainment game variable data from the entertainment software engine to determine what type of gambling game to execute, from a plurality of gambling games, and initiate a gambling game, from the plurality of gambling games, in the real world engine utilizing the real credit wager, based upon the entertainment game variable data received from the entertainment software engine.

[0006] In some embodiments, the entertainment game variable data is a player input of a skillful selection of a graphic representing a selected gambling game of the plurality of gambling games.

[0007] In various embodiments, each gambling game of the plurality of gambling games has a different volatility index.

[0008] In numerous embodiments, the selected gambling game is a slot machine.

[0009] In many embodiments, the selected gambling game is roulette.

[0010] In some embodiments, the selected gambling game is wheel of fortune (big 6 wheel).

[0011] In various embodiments the selected gambling game is poker.

[0012] In many embodiments, the selected gambling game is blackjack.

[0013] In various embodiments, the selected gambling game is craps.

[0014] In some embodiments, failure to skillfully select a gambling game from the plurality of gambling games causes the player to be penalized in the entertainment game.

[0015] In an embodiment, a method of operating a selectable gambling game hybrid game comprises providing a real world engine constructed to provide a randomly generated payout of real world credits real from a credit wager for a plurality of gambling games, providing an entertainment software engine constructed to execute an entertainment game providing outcomes based upon skillful execution of the entertainment game to earn a payout of game world credits; and providing a game world engine constructed to manage the entertainment software engine and communicate gameplay gambling event occurrences based upon skillful execution of the entertainment game that trigger at least one wager in the gambling game to the gambling game, receive entertainment game variable data from the entertainment software engine to determine what type of gambling game to execute, from a plurality of gambling games, and initiate a gambling game, from the plurality of gambling games, in the real world engine utilizing the real credit wager, based upon the entertainment game variable data received from the entertainment software engine.

[0016] In an embodiments, a non-transitory machine readable medium containing processor instructions is provided, where execution of the instructions by one or more processors cause the one or more processors to perform a process comprising providing a real world engine constructed to provide a randomly generated payout of real world credits real from a credit wager for a plurality of gambling games, providing an entertainment software engine constructed to execute an entertainment game providing outcomes based upon skillful execution of the entertainment game to earn a payout of game world credits, and providing a game world engine constructed to manage the entertainment software engine and communicate gameplay gambling event occurrences based upon skillful execution of the entertainment game that trigger at least one wager in the gambling game to the gambling game, receive entertainment game variable data from the entertainment software engine to determine what type of

gambling game to execute, from a plurality of gambling games, and initiate a gambling game, from the plurality of gambling games, in the real world engine utilizing the real credit wager, based upon the entertainment game variable data received from the entertainment software engine.

BRIEF DESCRIPTION OF THE DRAWINGS

[0017] FIG. 1 illustrates a conceptual diagram of components of a hybrid game having a selectable gambling game in accordance with an embodiment of the invention.

[0018] FIG. 2 illustrates a conceptual diagram of aspects of a Real World Engine (RWE) of a hybrid game having a selectable gambling game in accordance with some embodiments of the invention.

[0019] FIG. 3 illustrates a conceptual diagram of aspects of a Real World Engine (RWE) of a hybrid game having a selectable gambling game in accordance with some other embodiments of the invention.

[0020] FIG. 4 illustrates a signaling diagram of communications between a Real World Engine (RWE) and an external system to provide various functions in accordance with embodiments of the invention.

[0021] FIG. 5 illustrates a diagram of a process flow and signaling in a Real World Engine (RWE) to provide various functions in accordance with embodiments of the invention.

[0022] FIG. 6 illustrates a conceptual diagram of aspects of an Entertainment System Engine (ESE) in accordance with embodiments of the invention.

[0023] FIG. 7 illustrates a conceptual diagram of interactions between a user and a hybrid game having a selectable gambling game in accordance with embodiments of the invention.

[0024] FIG. 8 illustrates a conceptual diagram of the interplay between aspects of a hybrid game having a selectable gambling game in accordance with some embodiments of the invention using Real World Currency (RC).

[0025] FIG. 9 illustrates a conceptual diagram of the interplay between aspects of a hybrid game having a selectable gambling game in accordance with other embodiments of the invention using Virtual Real World Currency (VRC).

[0026] FIG. 10 illustrates a system diagram of an implementation of a network based hybrid game having a selectable gambling game in accordance with another embodiment of the invention.

[0027] FIG. 11 illustrates a system diagram of an implementation of an Internet based hybrid game having a selectable gambling game in accordance with an embodiment of the invention.

[0028] FIG. 12 illustrates a system diagram of an implementation of a cloud based hybrid game having a selectable gambling game in accordance with an embodiment of the invention.

[0029] FIG. 13 illustrates a block diagram of components of a device implementing a hybrid game having a selectable gambling game in accordance with an embodiment of the invention.

[0030] FIG. 14 is a flow chart illustrating a process of a hybrid game having a selectable gambling game in accordance with embodiments of the invention.

[0031] Fig. 15 is a process flow diagram for a hybrid game having a player selectable gambling game in accordance with an embodiment of the invention.

[0032] Fig. 16A illustrates a player interface in accordance with an embodiment of the invention in which a plurality of game graphics are presented to the player.

[0033] Fig. 16B illustrates a player interface in accordance with an embodiment of the invention.

[0034] Figs. 17A, 17B, 17C and 17D illustrate an operation of a player interface in accordance with an embodiment of the invention.

[0035] Figs. 18A, 18B, 18C and 18D illustrate an operation of a player interface in accordance with an embodiment of the invention.

DETAILED DESCRIPTION

[0036] Turning now to the drawings, systems and methods for providing a hybrid game having a selectable gambling game in accordance with embodiments of the invention are illustrated. In accordance with many embodiments of the invention, an entertainment game is provided by an Entertainment System Engine (ESE) and a gambling game is provided by a Real World Engine (RWE). A Game World Engine

(GWE) monitors the game play of the entertainment game provided by the ESE and determines when a gambling event in the gambling game is to occur based on the game play of the entertainment game. The GWE then requests that the RWE resolve the gambling event in the gambling game either while game play in the entertainment game is continued, or paused to resolve the gambling event. The RWE resolves the gambling event including resolving any wagers on the outcome of a gambling event and provides the results to the GWE. The GWE then determines any effects the results of the outcome of the gambling event have on the entertainment game and updates the ESE accordingly to continue game play.

[0037] An average amount a player of a gambling game expects to win is termed an expected value (EV). EV is the sum of all possible probabilities multiplied by their associated gains or losses.

[0038] EVs predict how much a player should expect to gain or lose in the long run. However, a volatility index (VI) tells a player the chance of earning more or less than the EV for a specified number of wagers.

[0039] VI thus quantifies luck by telling players their odds of earning more than the expected value for a specific number of rounds played. High volatility games have a larger variation between the expected and actual out-comes and therefore, a greater possibility of winning above the EV.

[0040] VI may be calculated as the square root of the fraction of possible winning combinations over the total number of combinations times the fraction of possible losing combinations over the total number of combinations.

[0041] Players of gambling games enjoy playing games that have different VI's. For example, the VI for bet of red or black, on an American-style roulette wheel game is about 0.499 while the VI for a 3 reel slot machine having 20 symbols and a single payline is about 0.01. The lower the VI, the more likely it is that the player will have a large deviation in wins or losses from the EV after a finite number of plays. By having a low VI, a game may be more exciting to a player than a game that pays very close to an EV after a short number of plays.

[0042] In various embodiments, a hybrid game allows a player to select a type of casino or gambling game they wish to play, through the skillful execution of an entertainment game.

[0043] In numerous embodiments, the player interface may provide a display of a plurality of gambling game graphics, each graphic representing a different type of gambling game having its own game mechanic, odds and payout resulting in a VI that differs from the other types of gambling games. The gambling game graphics may represent a type of gambling game to be played and may be presented to the player within the context of an entertainment game. The player may select a gambling game graphic from the plurality of gambling game graphics through skillful execution of the entertainment game, causing an execution of a gambling game represented by the selected gambling game graphic. If the player fails to skillfully select at least one of the plurality of gambling game graphics, the player may be penalized in the entertainment game.

[0044] In some embodiments, graphic images appear on the game's player interface, and the player by skillfully gesturing and/or selecting with a pointing device may skillfully select, as if by slicing, the graphic images. As previously noted, the graphic images may include graphics which represent various gambling games, including but not limited to slot machines, blackjack, roulette, wheel of fortune (big 6 wheel), poker and/or other casino style gambling games. Through the skillful execution of the entertainment game, the player may have the opportunity to choose the type of gambling game they wish to play, where each gambling game may represent a unique game mechanic, with a specific VI, which may vary significantly amongst the available gambling games.

HYBRID GAMES HAVING A SELECTABLE GAMBLING GAME

[0045] In accordance with many embodiments of this invention, a hybrid game having a selectable gambling game integrates high-levels of entertainment content with a game of skill (an entertainment game) and a gambling experience with a game of chance (a gambling game). A hybrid game having a selectable gambling game provides for random outcomes independent of player skill while providing that the user's

gaming experience (as measured by obstacles/challenges encountered, time of play and other factors) is shaped by the player's skill. The outcome of a gambling proposition that is determined by a Random Number Generator (RNG) or other such device that provides a random outcome in response to a request. In accordance with some embodiments, the wager game may be initiated in response to a game object related player action. A hybrid game having a selectable gambling game in accordance with an embodiment of the invention is illustrated in FIG. 1. The hybrid game having a selectable gambling game 128 includes a Real World Engine (RWE) 102, a Game World Engine (GWE) 112, an Entertainment System Engine (ESE) 120, a gambling game user interface 122 and an entertainment game user interface 124. The two user interfaces can be part of the same user interface but are separate in the illustrated embodiment. The RWE 102 is connected with the GWE 112 and the gambling game user interface 122. The ESE 120 is connected with the GWE 112 and the entertainment game user interface 124. The GWE 112 is connected also with the entertainment game user interface 124.

[0046] In accordance with several embodiments, the RWE 102 is the operating system for the gambling game of the hybrid game having a selectable gambling game 128 and controls and operates the gambling game. The operation of a gambling game is enabled by Real World Currency (RC), such as money or other real world funds. A gambling game can increase or decrease an amount of RC based on random gambling game outcomes, where the gambling proposition of a gambling game is typically regulated by gaming control bodies. In many embodiments, the RWE 102 includes a Real World (RW) operating system (OS) 104, RNG 106, level n real-world credit pay tables (Table Ln-RC) 108, RC meters 110 and other software constructs that enable a game of chance to offer a fair and transparent gambling proposition, and to contain the auditable systems and functions that can enable the game to obtain gaming regulatory body approval.

[0047] In accordance with several embodiments, the RWE 102 is the operating system for the gambling game of the hybrid game having a selectable gambling game 128 and controls and operates the gambling game. The operation of a gambling game is enabled by Real World Currency (RC), such as money or other real world funds. A

gambling game can increase or decrease an amount of RC based on random gambling game outcomes, where the gambling proposition of a gambling game is typically regulated by gaming control bodies. In many embodiments, the RWE 102 includes a Real World (RW) operating system (OS) 104, RNG 106, level n real-world credit pay tables (Table Ln-RC) 108, RC meters 110 and other software constructs that enable a game of chance to offer a fair and transparent gambling proposition, and to contain the auditable systems and functions that can enable the game to obtain gaming regulatory body approval.

[0048] A random number generator (RNG) 106 includes software and/or hardware algorithms and/or processes, which are used to generate random outcomes. A level n real-world credit pay table (Table Ln-RC) 108 is a table that can be used in conjunction with a Random Number Generator (RNG) 106 to dictate the RC earned as a function of sponsored gameplay and is analogous to the pay tables used in a conventional slot machine. Table Ln-RC payouts are independent of player skill. There can be one table or multiple tables included in Ln-RC pay tables 108 contained in a gambling game, the selection of which can be determined by factors including (but not limited to) game progress that a player has earned, and/or bonus rounds for which a player can be eligible. RCs are credits analogous to slot machine game credits, which are entered into a gambling game by the user, either in the form of money such as hard currency or electronic funds. RCs can be decremented or augmented based on the outcome of a random number generator according to the table Ln-RC real world credits pay table 108, independent of player skill. In certain embodiments, an amount of RC can be used as criteria in order to enter higher ESE game levels. RC can be carried forward to higher game levels or paid out if a cash out is opted for by a player. The amount of RC used to enter a specific level of the game, level n, need not be the same for each level.

[0049] In accordance with some embodiments of this invention, the GWE 112 manages the overall hybrid game having a selectable gambling game operation, with the RWE 102 and the ESE 120 effectively being support units to the GWE 112. In accordance with some of these embodiments, the GWE 112 contains mechanical, electronic, and software systems for an entertainment game. The GWE 112 includes an Operating System (OS) 114 that provides control of the entertainment game. The

GWE additionally contains a level n game world credit pay table (table Ln-GWC) 116 from where to take input from this table to affect the play of the entertainment game. The GWE 112 can further couple to the RWE 102 to determine the amount of RC available on the game and other metrics of wagering on the gambling game (and potentially affect the amount of RC in play on the RWE). The GWE additionally contains various audit logs and activity meters (such as the GWC meter) 118. The GWE 112 can also couple to a centralized server for exchanging various data related to the player and his or her activities in the game. The GWE 112 furthermore couples to the ESE 120.

[0050] In accordance with some embodiments, a level n game world credit pay table (Table Ln-GWC) 116 dictates the Game World Credit (GWC) earned as a function of player skill in the nth level of the game. The payouts governed by this table are dependent upon player skill and sponsored gameplay at large and can or cannot be coupled to a RNG. In accordance with some embodiments, GWCs are player points earned or depleted as a function of player skill, specifically as a function of player performance in the context of the entertainment game. GWC is analogous to the score in a typical video game. Each entertainment game has one or more scoring criterion, embedded within the table Ln-GWC 116 that reflects player performance against the goal(s) of the game. GWCs can be carried forward from one level of sponsored gameplay to another, and ultimately paid out in various manners such as directly in cash, or indirectly such as by earning entrance into a sweepstakes drawing, or earning participation in, or victory in, a tournament with prizes. GWCs can be stored on a player tracking card or in a network-based player tracking system, where the GWCs are attributed to a specific player.

[0051] In accordance with certain embodiments, the operation of the GWE does not affect the RWE's gambling operation except for player choice parameters that are allowable in slot machines, including but not limited to, wager terms such as, but not limited to, a wager amount, how fast the player wants to play (by pressing a button or pulling the handle of a slot machine), and/or agreement to wager into a bonus round. In this sense, the RWE 102 provides a fair and transparent, non-skill based gambling proposition co-processor to the GWE 112. In the illustrated embodiment, the

communication link shown between the GWE 112 and the RWE 102 allows the GWE 112 to obtain information from the RWE 102 as to the amount of RC available in the gambling game. The communication link can also convey a status operation of the RWE (such as on-line or tilt). The communication link can further communicate the various gambling control factors which the RWE 102 uses as input, such as the number of RC consumed per game or the player's election to enter a jackpot round. In FIG. 1, the GWE 112 is also shown as connecting to the player's user interface directly, as this can be utilized to communicate certain entertainment game club points, player status, control the selection of choices and messages which a player can find useful in order to adjust the entertainment game experience or understand their gambling status in the RWE 102.

[0052] In accordance with various embodiments of this invention, the ESE 120 manages and controls the visual, audio, and player control for the entertainment game. In accordance with certain embodiments, the ESE 120 accepts input from a player through a set of hand controls, and/or head, gesture, and/or eye tracking systems and outputs video, audio and/or other sensory output to a user interface. In accordance with many embodiments, the ESE 120 can exchange data with and accept control information from the GWE 112. In accordance with some of these embodiments, an ESE 120 can be implemented using a Personal Computer (PC), a Sony PlayStation® (a video game console developed by Sony Computer Entertainment of Tokyo Japan), or Microsoft Xbox® (a video game console developed by Microsoft Corporation of Redmond, Washington) running a specific entertainment game software program. In accordance with some of these embodiments, ESE 120 can be an electromechanical game system of a hybrid game having a selectable gambling game that is an electromechanical hybrid game. An electromechanical hybrid game executes an electromechanical game for player entertainment. The electromechanical game can be any game that utilizes both mechanical and electrical components, where the game operates as a combination of mechanical motions performed by at least one player or the electromechanical game itself. Various electromechanical hybrid games are discussed in Patent Cooperation Treaty Application No. PCT/US12/58156, filed

September 29, 2012, the contents of which are hereby incorporated by reference in their entirety.

[0053] The ESE 120 operates mostly independently from the GWE 112, except that via the interface, the GWE 112 can send certain entertainment game control parameters and elements to the ESE 120 to affect its play, such as (but not limited to) what level of character to be using, changing the difficulty level of the game, changing the type of gun or car in use, and/or requesting potions to become available or to be found by the character. These game control parameters and elements can be based on a gambling game outcome of a gambling game that was triggered by an element in the entertainment game being acted upon by the player. The ESE 120 can accept this input from the GWE 112, make adjustments, and continue entertainment game gameplay all the while running seamlessly from the player's perspective. The ESE's operation is mostly skill based, except for where the ESE's processes can inject complexities into the game by chance in its normal operation to create unpredictability in the entertainment game. Utilizing this interface, the ESE 120 can also communicate player choices made in the game to the GWE 112, such as but not limited to selection of a different gun, and/or the player picking up a special potion in the GW environment. The GWE's function in this architecture, being interfaced with the ESE 120, is to allow the transparent coupling of entertainment software to a fair and transparent random chance gambling game, providing a seamless perspective to the player that they are playing a typical popular entertainment game (which is skill based). In accordance with certain embodiments, the ESE 120 can be used to enable a wide range of entertainment games including but not limited to popular titles from arcade and home video games, such as but not limited to Gears of War (a third person shooter game developed by Epic Games of Cary, North Carolina), Time Crisis (a shooter arcade game developed by Namco Ltd of Tokyo, Japan), or Madden Football (an American football video game developed by EA Tiburon of Maitland, Florida). Providers of such software can provide the previously described interface by which the GWE 120 can request amendments to the operation of the ESE software in order to provide seamless and sensible operation as both a gambling game and an entertainment game.

[0054] In accordance with some embodiments, the RWE 102 can accept a trigger to run a gambling game in response to actions taken by the player in the entertainment game as conveyed by the ESE 120 to the GWE 112, or as triggered by the GWE 112 based on its algorithms, background to the overall game from the player's perspective, but can provide information to the GWE 112 to expose the player to certain aspects of the gambling game, such as (but not limited to) odds, amount of RC in play, and amount of RC available. The RWE 102 can accept modifications in the amount of RC wagered on each individual gambling try, or the number of gambling games per minute the RWE 102 can execute, entrance into a bonus round, and other factors, all the while these factors can take a different form than that of a typical slot machine. An example of a varying wager amount that the player can choose can include, but is not limited to, gameplay with a more powerful character, a more powerful gun, or a better car. These choices can increase or decrease the amount wagered per individual gambling game, in the same manner that a standard slot machine player can decide to wager more or less credits for each pull of the handle. In accordance with some of these embodiments, the RWE 102 can communicate a number of factors back and forth to the GWE 112, via an interface, such increase/decrease in wager being a function of the player's decision making as to their operational profile in the entertainment game (such as but not limited to the power of the character, gun selection or car choice). In this manner, the player is always in control of the per game wager amount, with the choice mapping to some parameter or component that is applicable to the entertainment game experience of the hybrid game. In accordance with a particular embodiment, the RWE 102 operation can be a game of chance as a gambling game running every 10 seconds where the amount wagered is communicated from the GWE 112 as a function of choices the player makes in the operation profile in the entertainment game.

[0055] In many embodiments, a hybrid game having a selectable gambling game integrates a video game style gambling machine, where the gambling game (including an RWE 102 and RC) is not player skill based, while at the same time allows players to use their skills to earn club points which a casino operator can translate to rewards, tournament opportunities and prizes for the players. The actual exchange of monetary funds earned or lost directly from gambling against a game of chance in a gambling

game, such as a slot machine, is preserved. At the same time, a rich environment of rewards to stimulate gamers can be established with the entertainment game. In accordance with some of these embodiments, the hybrid game having a selectable gambling game can leverage very popular titles with gamers and provides a sea change environment for casinos to attract players with games that are more akin to the type of entertainment that a younger generation desires. In accordance with various embodiments, players can use their skill towards building and banking Game World Credit (GWC) that in turn can be used to win tournaments and various prizes as a function of their gamer prowess. Numerous embodiments minimize the underlying changes needed to the aforementioned entertainment software for the hybrid game to operate within an entertainment game construct, thus making a plethora of complex game titles and environments, rapid and inexpensive to deploy in a gambling environment.

[0056] In accordance with some embodiments, hybrid game having a selectable gambling games also allow players to gain entry into subsequent competitions through the accumulation of Game World Credits (GWC) as a function of the user's demonstrated skill at the game. These competitions can pit individual players or groups of players against one another and/or against the casino to win prizes based upon a combination of chance and skill. These competitions can be either asynchronous events, whereby players participate at a time and/or place of their choosing, or they can be synchronized events, whereby players participate at a specific time and/or venue.

[0057] In accordance with some embodiments, one or more players engage in playing an entertainment game, resident in the ESE, the outcomes of which are dependent at least in part on skill. The hybrid game having a selectable gambling game can include an entertainment game that includes head to head play between a single player and the computer, between two or more players against one another, or multiple players playing against the computer and/or each other, as well as the process by which players bet on the outcome of the entertainment game. The entertainment game can also be a game where the player is not playing against the computer or any other player, such as in games where the player is effectively playing against himself or herself (such as but not limited to Solitaire and Babette).

[0058] In accordance with some embodiments, the use of the RWE, GWE and ESE allows for the separation of control of a hybrid game having a selectable gambling game between different devices. For example, the ESE may be hosted by a device that is separate from any devices that host the RWE and/or GWE. Through separation of control of the functions of the ESE, RWE and GWE, the RWE may be isolated from the player's device, thus preventing player interference with the RWE and the gambling game. In addition, as the ESE is responsible for providing the entertainment game, hybrid game having a selectable gambling games may provide for complex entertainment games for the player as the ESE need not include the tightly regulated components of the RWE, thus providing for more freedom in ESE design. Also, separation of control allows a GWE to provide complex wager initiation rules that would not be possible if the either the ESE or the RWE were to be in control of the wager initiation.

[0059] In accordance with various embodiments, a hybrid game having a selectable gambling game allows for interleaving of continuous wagering within an entertainment game. For example, instead of wagering once, and then playing an entertainment game to completion, or playing an entertainment game to completion and then placing a wager, a hybrid game having a selectable gambling game allows a gaming system or device to be provided to a player where the gaming system or device provides a complex and interesting entertainment game with wagering incorporated throughout the entertainment game.

[0060] In various embodiments, a hybrid game having a selectable gambling game provides for feedback into the entertainment game of additional entertainment game resources that are made available in the ESE for the use of the player as the result of wagering outcomes. The additional entertainment game resources may enable portions of the entertainment game that were not available to the player without the resources.

[0061] In many embodiments, a hybrid game having a selectable gambling game provides the ability to use the hybrid game having a selectable gambling game in more than one jurisdiction, as the ESE is a component separate from the GWE and RWE. For example, the ESE may be operated as either a pure entertainment game, or as a

gambling game depending on the type of characteristics of the RWE that the ESE is coupled to.

[0062] In some embodiments, a hybrid game having a selectable gambling game provides for display of an entertainment game on a player's device that the player is using to interact with the entertainment game, as well as providing a separate display of a state of a gambling game on a separate gambling game display. The separate gambling game display may be on the player's device within the same physical display device, on a separate device having a separate physical screen, or on a separate physical display device on the player's device.

[0063] The components provided by the RWE for a hybrid game having a selectable gambling game in accordance with embodiments of the invention are shown in FIG. 2. In accordance with embodiments of the invention, the RWE includes an internal bus 225 that connects an operating system OS 221, a Pseudo Random or Random Number Generator (P/RNG) 220, one or more pay tables (Table Ln-RC) 223, a wagering control module 222, an authorization access module 224, and a RC credit meter 226 that are included in the RWE 204. The RW OS 221 controls the functions of the RWE 204. The P/RNG 220 includes one or more RNGs that are used to produce random numbers for use in resolving gambling events and other process requiring a random number to determine an outcome. The one or more pay tables (Table Ln-RC) 223 control the functions of the RWE and contain a plurality of factors indexed by the random number to be multiplied with the RC wagered to determine the payout on a successful wager. A wagering control module 222 performs the processes to resolve a wager on a proposition of a gambling event. The resolution process includes, but is not limited to, pulling random numbers, looking up factors in Pay Tables, multiplying the factors by the amount of RC wagered, and administering a RC credit meter 226. A repository (a credit meter) 226 maintains a record of the amount of RC which a player has deposited in the game and has been accumulated by the player.

[0064] An external connection allows the RWE 204 to interface to another system or device, which is shown in FIG. 2 as the Internet 205 but may be any other network and/or device. The authorization access module 224 of RWE 204 is connected to the external connection and provides a method to permit access and command exchange

between an external system and the RWE 204. The RWE 204 also contains storage for statuses, wagers, wager outcomes, meters and other historical events in a storage device 116.

[0065] In some embodiments, the RWE 204 communicates with external systems to provide various functions of a hybrid game having a selectable gambling game in accordance with embodiments of the invention. The components of an RWE 204 that communicate with an external system to provide a component of the RWE 204 in accordance with embodiments of the invention are shown in FIG 3. The RWE 204 shown in FIG.3 is similar to the RWE shown in FIG. 2. However, the P/RNG 220 is an external system connected to the RWE 204 by the Internet 205 in accordance with embodiments of the invention. The P/RNG 220 could be a central deterministic system, such as a regulated and controlled random numbered ball selection device, or some other system which provides random or pseudo random numbers to one or a plurality of connected RWEs 204. One skilled in the art will recognize that only P/RNG 220 is an external system in the embodiment illustrated in FIG. 3. However, any of the components could be external systems without departing from the invention and P/RNG 220 is shown as an example only.

[0066] In FIGS. 2 and 3, the RWE 204 interfaces with other systems/devices or to an external P/RNG 220 using the Internet 205. However, one skilled in the art will note that nothing would preclude using a different interface than the Internet 205 in other embodiments of the invention. Other examples of interfaces include, but are not limited to, a LAN, a USB interface, or some other method by which two electronic and software constructs could communicate with each other.

[0067] The RWE and an external system typically communicate to provide the resolution of gambling events to resolve wagers on the events. The signals between the RWE and an external system to provide some process related to resolving gambling events in accordance with embodiments of the invention are shown in FIG. 4. In accordance with many embodiments of the invention, the primary function of the RWE 204 is to manage wagering events and to provide random (or pseudo random) numbers from an RNG. At the top of the figure, a 6 component communication exchange grouped by the "1" box is shown for a wager on a proposition in a gambling event during

a hybrid game having a selectable gambling game in accordance with embodiments of the invention. An external system 450 that is requesting wagering support from the RWE 204 instructs the RWE 204 as to the pay table (Table Ln-RC) to use (410), followed by the amount of RC to wager on the proposition of the gambling event (412). Next, the external system 450 signals the RWE to trigger a wager or perform the gambling event (414). The RWE 204 resolves the gambling event. The RWE 204 then informs external system 450 as to the outcome of the wager (416), the amount of RC won (418), and the amount of RC in the player's account (in the credit repository) (420).

[0068] A second communication exchange between the RWE 204 and an external system 450 in accordance with embodiments of the invention that is shown in FIG. 4 is grouped by the "2" box in FIG. 4 and relates to the external system 450 needing an P/RNG result support from the RWE 204. In this exchange, the external system 450 requests an P/RNG result from the RWE 204 (430). The RWE 204 returns a P/RNG result to the external system 450 in response to the request (432). The result may be generated as a function of the internal P/RNG in the RWE 204, or from a P/RNG external to the RWE 204 to which the RWE 204 is connected.

[0069] A third communication exchange between the RWE 204 and the external system 450 in accordance with embodiments of the invention that is shown in FIG. 4 is grouped by the "3" box in the figure and relates to the external system 450 wanting support on coupling an P/RNG result to a particular Pay Table contained in the RWE 204. In this exchange, the external system 450 instructs the RWE as to the pay table (Table Ln-RC) to use (440). The external system (450) then requests a result whereby the P/RNG result is coupled to the requested Pay Table (442). The result is returned to the external system 450 by RWE 204 (444). Such an aspect is different from the first exchange shown by the box "1" sequence in that no actual RC wager is conducted. However, such a process, t, might be useful in coupling certain non-RC wagering entertainment game behaviors and propositions to the same final resultant wagering return which is understood for the hybrid game having a selectable gambling game to conduct wagering.

[0070] In regards to FIG. 4, one skilled in the art will note that the thrust of the FIG. 4 is to convey overall functional exchanges between an RWE 204 and an external system

450. As such, various protocol layers necessary for error free and secure communication, and other status, setup, and configuration commands which one might expect in any protocol between two connected systems have been omitted for clarity. Furthermore, some or all of the various commands and responses illustrated could be combined into one or more communication packets without departing from the invention.

[0071] The process flow for functional communication exchanges, such as communication exchanges described above with reference to FIG. 4, between a RWE and an external system in accordance with embodiments of the invention are shown in FIG. 5. The process begins by a RWE 204 receiving signals from an external system requesting a connection to RWE 204 (502). The Access Authorization Module determines that the external system is authorized to connect to RWE 204 (504) and transmits an authorization response to the external system. The external systems provide a request for a gambling event to be performed to the RWE 294 (506). The request may include an indication of a wager amount on a proposition in the gambling event, and a proper pay table to use to resolve the wager. The external system then sends a signal to trigger the gambling event (508).

[0072] The OS 221 instructs the Wager Control Module 222 as to the RC wager and the Pay Table to select as well as to resolve the wager execution (510). In response to the request to execute the gambling event, the wager control module 222 requests an P/RNG result from the P/RNG 220 (512); retrieves a proper pay table or tables from the pay tables 223 (514); adjusts the RC of the player in the RC repository 226 as instructed (516); applies the P/RNG result to the particular pay table or tables (518); and multiplies the resultant factor from the Pay Table by the amount of RC to determine the result of the wager (518). Wager Control Module 222 then adds the amount of RC won by the wager to the RC repository 226 (520); and provides the outcome of the wager, and the amount of RC in the RWE and the RC won (522). One skilled in the art will recognize that there may be many embodiments of an RWE 204 which could be possible, including forms where many modules and components of the RWE are located in various servers and locations, so the foregoing is not meant to be exhaustive

or all inclusive, but rather provide information about an RWE 204 in accordance with some embodiments of the invention.

[0073] A block diagram of components of an ESE being provided by an ESE host 600 for a hybrid game having a selectable gambling game in accordance with embodiments of the invention is shown in FIG. 6. An ESE 610 may be part of the entertainment game itself, may be a software module that is executed by the entertainment game, or may provide an execution environment for the entertainment game for a particular host. The ESE 610 and associated entertainment game are hosted by an ESE host 600. The ESE host 600 is a computing device that is capable of hosting the ESE 610 and the entertainment game. Exemplary hosts include video game consoles, smart phones, personal computers, tablet computers, or the like. The entertainment game includes a game engine 612 that generates a player interface 605 for interaction with by a player. The player interface includes a player presentation 635 that is presented to a player through the player interface. The player presentation 635 may be audio, visual or tactile, or any combination of such. The player interface 635 further includes one or more Human Input Devices (HIDs) 630 that the player uses to interact with the entertainment game. Various components or sub-engines of the game engine read data from a game state in order to implement the features of the game. Components of the game engine include a physics engine 640 used to simulate physical interactions between virtual objects in the game state, a rules engine 645 for implementing the rules of the game, an P/RNG that may be used for influencing or determining certain variables and/or outcomes to provide a randomizing influence on gameplay, a graphics engine 650 used to generate a visual representation of the game state to the player, an audio engine to generate audio outputs for the player interface, and any other engine needed to provide the entertainment game. The game engine 612 reads and writes game resources 615 stored on a data store of the ESE host. The game resources 615 include game objects 655 having graphics and/or control logic used to implement game world objects of the game engine. The game resources 615 also include video files 675 that are used to generate cut-scenes for the entertainment game. The game resources 615 may also include audio files 660 used to generate music, sound effects, etc. within the entertainment game. The game resources 615

may also include configuration files 670 used to configure the features of the entertainment game. The game resources 615 may also include scripts 665 or other types of control code used to implement various gameplay features of the entertainment game. The game resources 615 may also include graphics resources 680 including, but not limited to, textures, and objects that are used by the game engine to render objects displayed in the entertainment game.

[0074] In operation, components of the game engine 612 read portions of the game state 625 and generate the player presentation for the player which is presented to the player using the player interface 605. The player perceives the presentation 635 and provides player inputs using the HIDs 630. The corresponding player inputs are received as player actions or inputs by various components of the game engine 612. The game engine translates the player actions into interactions with the virtual objects of the game world stored in the game state 625. Components of the game engine 612 use the player interactions with the virtual objects of the game and the game state 625 to update the game state 625 and update the presentation 635 presented to the user. The process can loop in a game loop continuously while the player plays the game.

[0075] In some embodiments, the ESE 610 is a host running a browser that communicates with a server serving documents in a markup language, such as Hypertext Markup Language 5 (HTML 5) or the like, and the functions of the game engine are performed by the browser on the basis of the markup language found in the documents. In some embodiments, the ESE 610 is a host hosting a specialized software platform, such as Adobe Flash or the like, used to implement games or other types of multimedia presentations, and the functions of the game engine are performed by the specialized platform.

[0076] The ESE 610 provides one or more interfaces between an entertainment game and other components 620 of a hybrid game having a selectable gambling game, such as a GWE. The ESE 610 and the other hybrid game having a selectable gambling game component 620 communicate with each other using the interfaces, such as by passing various types of data and sending and receiving messages, status information, commands and the like. Examples of communications include, but are not limited to, requesting by the hybrid game having a selectable gambling game component 620 that

the ESE 610 update the game state using information provided by the other component; requesting, by the hybrid game having a selectable gambling game component 620, that the ESE 610 update one or more game resources using information provided by the hybrid game having a selectable gambling game component 620; the ESE 610 providing all or a portion of the game state; the ESE 610 providing one or more of the game resources to the hybrid game having a selectable gambling game component 620; and the ESE 610 communicating player actions to the other hybrid game having a selectable gambling game component 620. The player actions may be low level player interactions with the player interface, such as manipulation of an HID, or may be high level interactions with objects as determined by the entertainment game. The player actions may also include resultant actions such as modifications to the game state or game resources resulting from the player's actions taken in the game. Other examples of player actions include actions taken by entities, such as Non-Player Characters (NPC) of the entertainment game, that act on behalf of, or under the control of, the player.

[0077] Elements are a limited resource consumed within an entertainment game to advance entertainment game gameplay. In playing the entertainment game using the elements, a player can (optionally) consume and accrue game world credits (GWC) within the entertainment game. These credits can be in the form of (but are not limited to) game world credits, experience points, or points generally. Wagers can be made in the gambling game as triggered by the player's use of one or more elements of the entertainment game. The wagers are made using real world credits (RC). The real world credits can be credits in an actual currency, or can be credits in a virtual currency which may have a real world value. Gambling game outcomes from the gambling game can cause consumption, loss or accrual of RC. In addition, gambling game outcomes in the gambling game can influence elements in the entertainment game such as (but not limited to) by restoring a consumed element, causing the loss of an element, restoration or placement of a fixed element. In certain embodiments, gambling games can facilitate the wager of GWC for a randomly generated payout of GWC or a wager of elements for a randomly generated payout of elements. In particular embodiments, an amount of

GWC and/or elements used as part of a wager can have a RC value if cashed out of a gameplay session.

[0078] Example elements include enabling elements (EE) which are elements that enable a player's play of the entertainment game and whose consumption by the player while playing the entertainment game can trigger a wager in a gambling game. Another non limiting example of an element is a reserve enabling element (REE), which is an element that converts into one or more enabling elements upon occurrence of a release event in skill wagering interleaved game gameplay. Other types of elements include actionable elements (AE) which are elements that are acted upon to trigger a wager in the gambling game and may or may not be restorable during normal play of the entertainment game. Another type of element is a common enabling element (CEE) which as an element that may be shared by two or more players and the use of which by any of the players causes a wager to be triggered.

[0079] In progressing through entertainment game gameplay, elements can be utilized by a player during interactions with a controlled entity (CE) which is a character, entity, inanimate object, device or other object under control of a player.

[0080] Also, entertainment game gameplay progress and wager triggers can be dependent upon a game world variable such as, but not limited to: a required game object (RGO) which is a specific game object in an entertainment game acted upon for an AE to be completed (such as but not limited to a specific key needed to open a door); a required environmental condition (REC) which is a game state present within an entertainment game for an AE to be completed (such as but not limited to daylight whose presence enables a character to walk through woods); or a controlled entity characteristic (CEC) which is a status of the CE within an entertainment game for an AE to be completed (such as but not limited to a CE to have full health points before entering battle). Although various gameplay resources, such as but not limited to GWC, RC and elements as discussed above, any gameplay resource can be utilized to advance gameplay as well as form the basis for a trigger of a wager as appropriate to the specification of a specific application in accordance with various embodiments of the invention. Various hybrid games are discussed in PCT Application Nos. PCT/US11/26768, filed March 1, 2011, PCT/US11/63587, filed December 6, 2011, and

PCT/US12/50204 filed August 9, 2012, each disclosure of which is hereby incorporated by reference in its entirety.

[0081] In accordance with some embodiments, a player can interact with a hybrid game having a selectable gambling game by using RC in interactions with a gambling game along with GWC and elements in interactions with an entertainment game. The gambling game can be executed by a RWE while an entertainment game can be executed with an ESE and managed with a GWE. A conceptual diagram that illustrates how resources such as GWC, RC and elements, such as but not limited to enabling elements (EE), are utilized in a hybrid game having a selectable gambling game in accordance with an embodiment of the invention is illustrated in FIG. 7. The conceptual diagram illustrates that RC 704, EE 708 and GWC 706 can be utilized by a player 702 in interactions with the RWE 710, GWE 712 and ESE 714 of a hybrid game having a selectable gambling game 716. The contribution of elements, such as EE 708, can be linked to a player's access to credits, such as RC 704 or GWC 706. Electronic receipt of these credits can come via a smart card, voucher or other portable media, or as received over a network from a server. In accordance with certain embodiments, these credits can be drawn on demand from a player profile located in a database locally on a hybrid game having a selectable gambling game or in a remote server.

[0082] A conceptual diagram that illustrates the interplay between aspects of a hybrid game having a selectable gambling game in accordance with an embodiment of the invention using real world credit (RC) is illustrated in FIG. 8. Similar to FIG. 7, a player's actions and/or decisions can affect functions 806 that consume and/or accumulate GWC 802 and/or EE 804 in an entertainment game executed by an ESE 810. A GWE 812 can monitor the activities taking place within an entertainment game executed by an ESE 810 for gameplay gambling event occurrences. The GWE 812 can also communicate the gameplay gambling event occurrences to an RWE 814 that triggers a wager of RC 816 in a gambling game executed by the RWE 814.

[0083] In accordance with some embodiments of the invention, the following may occur during use of the hybrid game having a selectable gambling game. The user enters an input that represents an action or decision (850). The ESE 810 signals the GWE 812 with the input decision or action (852). The GWE 812 responds by signaling

to ESE 810 with the amount of EE that is consumed by the player action or decision (854). The signaling from the GWE 812 configures a function 806 to control the EE consumption, decay, and/or accumulation.

[0084] The ESE 810 then adjusts the EE 804 accordingly (856). The GWE 812 signals the RWE 814 as to the profile of the wager proposition associated with the action or decision and triggers the wager (858). The RWE 814 consumes the appropriate amount of RC 816 and executes the wager (860). The RWE 814 then adjusts the RC 816 based upon the outcome of the wager (862) and informs the GWE 812 as to the outcome of the wager (864).

[0085] The GWE 812 signals the ESE 810 to adjust EE to one or more of the EEs of the ESE entertainment game (866). Function 806 of the ESE 810 performs the adjustment of EE 804 (868). The ESE 810 signals the GWE 812 as to the updated status (870). In response, the GWE 812 signals the ESE 810 to update GWC of the entertainment game. The ESE updates the GWC 802 using a function 806 (872).

[0086] The following is an example of the above flow in a first person shooter game, such a Call of Duty ®, using a hybrid game having a selectable gambling game sequence in accordance with embodiments of the invention.

[0087] The process begins by a player selecting a machine gun to use in the game and then fires a burst of bullets at an opponent (850). The ESE 810 signals the GWE 812 of the player's choice of weapon, that a burst of bullets was fired, and the outcome of the burst (852). GWE 812 processes the information received and signals ESE 810 to consume 3 bullets (EE) with each pull of the trigger (854). The ESE 810 consumes 3 bullets for the burst using function 806 (856).

[0088] The GWE 812 signals the RWE 814 that 3 credits (RC) are to be wagered to match the three bullets consumed. The RWE 814 then determines the result of the wager and may determine the winnings from a pay table. On a particular pay table (Table Ln-RC), a determination is made by RWE 814 as to the amount of damage that the opponent has sustained. The RWE 814 consumes 3 credits of RC 816 for the wager and executes the specified wager (860). The RWE 814 determines that the player hit a jackpot of 6 credits and returns the 6 credits to the RC 816 (862) and signals the GWE 812 that 3 net credits were won by the player (864).

[0089] The GWE 812 signals ESE 810 to add 3 bullets to an ammunition clip (866). ESE 810 adds 3 bullets back to the ammo clip (EE 804) using a function 806 (868). The ammunition may be added by directly adding the ammunition to the clip or by allowing the user to find extra ammunition during gameplay. The GWE 812 logs the new player score (GWC 802) in the game (as a function of the successful hit on the opponent) based on the ESE 810 signaling, and the signals the ESE 810 to add 2 extra points to the player score since a jackpot has been won (870). The ESE 810 then adds 10 points to the player score (GWC 802) given the success of the hit which in this example is worth 8 points, plus the 2 extra points requested by GWE 812 (872). Note that the foregoing example is only intended to provide an illustration of how credits flow in a hybrid game having a selectable gambling game, but is not intended to be exhaustive and only lists only one of numerous possibilities of how a hybrid game having a selectable gambling game may be configured to manage its fundamental credits.

[0090] A conceptual diagram that illustrates the interplay between aspects of a hybrid game having a selectable gambling game in accordance with an embodiment of the invention using virtual real world credit (VRC) is illustrated in FIG. 9. As seen in the FIG. 9, substituting VRC in place of RC is effected without impact to the architecture or operation of the hybrid game having a selectable gambling game. The implementation of FIG. 9 is not the only embodiment using virtual currency within a hybrid game having a selectable gambling game, but shows only one permutation of which many could exist.

[0091] Similar to FIG. 8, a player's actions and/or decisions can affect functions 906 that consume and/or accumulate GWC 902 and/or EE 904 in an entertainment game executed by an ESE 910 in the process shown in Fig. 9. A GWE 912 can monitor the activities taking place within an entertainment game executed by an ESE 910 for gameplay gambling event occurrences. The GWE 912 can also communicate the gameplay gambling event occurrences to a RWE 914. Unlike the process shown in FIG. 8, RWE 914 triggers a wager of virtual real world credit (VRC) 916 in a gambling game executed by the RWE 914.

[0092] For purposes of this discussion, VRC can be thought of as a form of alternate currency, which can be acquired, purchased or transferred, in unit or in bulk, by/to a player, but does not necessarily directly correlate to RC or real currency. As an example, there is a virtual currency called “Triax Jacks”, 1000 units of which are given to a player by an operator of a hybrid game having a selectable gambling game, with additional blocks of 1000 units being available for purchase for \$5 USD each block. Triax Jacks could be redeemed for various prizes, or could never be redeemed but simply used and traded purely for entertainment value by players. It would be completely consistent with the architecture of the hybrid game having a selectable gambling game that Triax Jacks would be wagered in place of RC, such that the hybrid game having a selectable gambling game could be played for free, or with played with operator sponsored Triax Jacks.

[0093] Returning to the process in FIG. 9, the following may occur during use of the hybrid game having a selectable gambling game in accordance with embodiments of the invention. The user enters an input that represents an action or decision (950). The ESE 910 signals the GWE 912 with the input decision or action (952). The GWE 912 responds by signaling to ESE 910 with the amount of EE that is consumed by the player action or decision (954). The signaling from the GWE 912 configures a function 906 to control the EE consumption, decay, and/or accumulation.

[0094] The ESE 910 then adjusts the EE 904 accordingly (956). The GWE 912 signals the RWE 914 as to the profile of the wager proposition associated with the action or decision and triggers the wager (958). The RWE 914 consumes the appropriate amount of RC 916 and executes the wager (960). The RWE 914 then adjusts the RC 916 based upon the outcome of the wager (962) and informs the GWE 912 as to the outcome of the wager (964).

[0095] The GWE 912 signals the ESE 910 to adjust EE to one or more of the EEs of the ESE entertainment game (966). Function 906 of the ESE 910 performs the adjustment of EE 904 (968). The ESE 910 signals the GWE 912 as to the updated status (970). In response, the GWE 912 signals the ESE 910 to update GWC 902 of the entertainment game. The ESE updates the GWC 902 using a function 906 (972).

NETWORK BASED HYBRID GAME HAVING A SELECTABLE GAMBLING GAME

[0096] A system diagram that illustrates an implementation of a network distributed hybrid game having a selectable gambling game with a GWE local server in accordance with embodiments of the invention is illustrated in FIG. 10. In the figure, the hybrid game having a selectable gambling game 1000 includes components, RWE 1002 embedded in a device used as the user interface for player 1003. The device provides both a RWE/GWE user interface 1005 and an ESE user interface 1007 for the player. The ESE is provisioned by an ESE hosting server 1004 via ESE interface 1009, and the GWE is provisioned by GWE server 1006 as indicated by the dashed line. Also pictured in the diagram are a number of other peripheral systems, such as player management 1008, casino management 1010, regulatory 1012, hybrid game player account management 1014, and taxation authority 1016 hosting servers that may be present in such an implementation. Fig. 10 also illustrates various other systems, which may reside outside the bounds of the casino and are connected to the framework via communications network, such as the Internet 1020, depicted by the connection lines past the casino firewall 1022. The end devices utilized for user interfaces for a hybrid game having a selectable gambling game include, but are not limited to, casino electronic game machines 1030 and wireless or portable devices, such as smart phone 1032, personal digital assistants, tablet computers, video gaming consoles or the like. These disparate devices are connected within and without the casino through the casino's information technology structure as illustrated by routers 1040a, 1040b and 1040c. It should be understood that Fig. 10 does not attempt to illustrate all servers and systems to which a hybrid game having a selectable gambling game 1000 might be inevitably be connected, and indeed one might expect there would be others, but rather provides an example of a set of a sub-set of systems which would be present in an exemplary embodiment of an installation.

[0097] Fig. 11 is a diagram showing another implementation of a hybrid game having a selectable gambling game in accordance with an exemplary embodiment. In the figure, the hybrid game having a selectable gambling game 1101 includes components, RWE 1104 embedded in a device used as the user interface for player 1103. The device provides both a RWE/GWE user interface 1105 and an ESE user interface 1007

for the player. The ESE is provisioned by an ESE hosting server 1104 via ESE interface 1109. Also pictured in the diagram are a number of other peripheral systems, such as player management 1108, casino management 1110, regulatory 1112, hybrid game player account management 1114, and taxation authority 1116 hosting servers that may be present in such an implementation. In the figure, note that the GWE is composed of two sub-components, a local GWE server 1120, and a cloud server 1122 (components within the dash line area 1124). In the figure, certain of the components are located within the bounds of the casino, namely the RWE, the ESE and a portion of the GWE, namely the local GWE server 1120. The Cloud Server GWE 1122 is located in the cloud connected to the casino bounded hybrid game having a selectable gambling game components via communications network such as the Internet 1130 through a firewall 1132. Fig. 11 also illustrates various other systems, which may reside outside the bounds of the casino and are connected to the framework via communications network. The end devices utilized for user interfaces for a hybrid game having a selectable gambling game include, but are not limited to, casino electronic game machines, 1134a and 1134b, and wireless or portable devices, such as smart phone 1136, personal digital assistants, tablet computers, video gaming consoles or the like. These disparate devices are connected within and without the casino through the casino's information technology structure as illustrated by routers 1140a, 1140b and 1140c. It should be understood that Fig. 11 does not attempt to illustrate all servers and systems to which a hybrid game having a selectable gambling game might be inevitably be connected, and indeed one might expect there would be others, but rather provides an example of a set of a sub-set of systems which would be present in an exemplary embodiment of an installation.

[0098] A system diagram that illustrates an implementation of network a cloud based hybrid game having a selectable gambling game over the Internet in accordance with an embodiment of the invention is illustrated in FIG. 12. The system includes an ESE server 1202, GWE server 1204 and RWE server 1206 that each connect to a user interface, 1210a or 1210b, (such as, but not limited to, a television screen, computer terminal, tablet, touchscreen or PDA) of hybrid game having a selectable gambling games over the Internet 1208. Each hybrid game having a selectable gambling game

includes a local ESE 1212a or 1212b (such as, but not limited to, a video game console or a gaming computer system) that interfaces with a remote ESE server 1002. Processes performed by an ESE 1212a services can be performed in multiple locations, such as, but not limited to, remotely on an ESE server 1202 and locally on a local ESE 1212a. In addition, a hybrid game having a selectable gambling game may include a Personal Digital Assistant (PDA) 1214 or other type of mobile computing device game coupled to the ESE hosting server 1202, thus providing the opportunity for a player to play a hybrid game having a selectable gambling game on the PDA through a mobile phone or data network.

[0099] There are many possible permutations of how a hybrid game having a selectable gambling game could be constructed, with Figs. 10, 11 and 12 showing only three possible permutations and provided as examples, which are not intended to suggest limitations to the forms of the architecture. Other embodiments include a version where the entire hybrid game having a selectable gambling game is in the cloud with only a client running on player terminal within the bounds of the casino, or a version where the RWE and GWE are casino bound and the ESE exists in the cloud, accessed by a client running on a terminal in the casino.

PROCESSING APPARATUSES

[00100] Any of a variety of processing apparatuses can host various components of a hybrid game having a selectable gambling game in accordance with embodiments of the invention. In accordance with embodiments of the invention, these processing apparatuses can include, but are not limited to, a server, a client, a mobile device such as a smartphone, a personal digital assistant or the like, a wireless device such as a tablet computer or the like, an electronic gaming machine, a general purpose computer, a gaming console, a computing device and/or a controller. A processing apparatus that is constructed to implement a hybrid game having a selectable gambling game in accordance with embodiments of the invention is illustrated in FIG. 13. In the processing apparatus 1300, a processor 1304 is coupled to memory 1306 by a bus 1328. The processor 1304 is also coupled to non-transitory machine-readable storage media, such as a storage device 1308 that stores executable instructions 1312 and data

1310 through the system bus 1328 to an I/O bus 1326 through a storage controller 1318. The processor 1304 is also coupled to one or more interfaces that can be used to connect the processor to other processing apparatuses as well as networks as described herein. The processor 1304 is also coupled via the bus to user input devices 1314, such as tactile devices including, but not limited to, keyboards, keypads, foot pads, touch screens, and/or trackballs; as well as non-contact devices such as audio input devices, motion sensors and motion capture devices that the processing apparatus can use to receive inputs from a user when the user interacts with the processing apparatus. The processor 1304 is connected to these user input devices 1314 through the system bus 1328, to the I/O bus 1326 and through the input controller 1320. The processor 1304 is also coupled via the bus to user output devices 1316 such as (but not limited to) visual output devices, audio output devices, and/or tactile output devices that the processing apparatus uses to generate outputs perceivable by the user when the user interacts with the processing apparatus. In accordance with some embodiments, the processor is coupled to visual output devices such as (but not limited to) display screens, light panels, and/or lighted displays. In accordance with particular embodiments, the processor is coupled to audio output devices such as (but not limited to) speakers, and/or sound amplifiers. In accordance with many of these embodiments, the processor 1304 is coupled to tactile output devices like vibrators, and/or manipulators. The processor 1304 is connected to output devices from the system bus 1328 to the I/O bus 1326 and through the output controller 1322. The processor 1304 can also be connected to a communications interface 1302 from the system bus 1328 to the I/O bus 1326 through a communications controller 1324.

[00101] In accordance with various embodiments, a processor 1304 can load instructions and data from the storage device into the memory 1306. The processor 1304 can also execute instructions that operate on the data to implement various aspects and features of the components of a hybrid game having a selectable gambling game. The processor 1304 can utilize various input and output devices in accordance with the instructions and the data in order to create and operate user interfaces for players or operators of a hybrid game having a selectable gambling game (such as but not limited to a casino that hosts the hybrid game having a selectable gambling game).

[00102] Although the processing apparatus 1300 is described herein as being constructed from a processor and instructions stored and executed by hardware components, the processing apparatus can be composed of only hardware components in accordance with other embodiments. In addition, although the storage device is described as being coupled to the processor through a bus, those skilled in the art of processing apparatuses will understand that the storage device can include removable media such as, but not limited to, a USB memory device, an optical CD ROM, magnetic media such as tape and disks. Also, the storage device can be accessed by processor 1304 through one of the interfaces or over a network. Furthermore, any of the user input devices or user output devices can be coupled to the processor 1304 via one of the interfaces or over a network. In addition, although a single processor 1304 is described, those skilled in the art will understand that the processor 1304 can be a controller or other computing device or a separate computer as well as be composed of multiple processors or computing devices including one or more processors.

HYBRID GAMES HAVING A SELECTABLE GAMBLING GAME

[00103] Fig. 14 is an architectural flow chart of a hybrid game having a selectable gambling game in accordance with an embodiment of the invention. As illustrated, the entertainment software engine (ESE) 1400 presents available targets 1402, in the form of display graphics representing available gambling games are displayed to the player via the display interface 1404. Through interaction with a touch screen interface 1406, or similar pointing type input, the player may effectively attempt to skillfully select 1408 a graphic representing a gambling game, such as by slicing the graphics, as they appear on the screen. Information about whether or not the player selected the graphics along with entertainment game variables 1410, which may include information regarding what graphic or graphics were selected is communicated to f1 1412 in the game world engine (GWE) 1413.

[00104] In various embodiments, the function f1 accepts the input from the entertainment game regarding what, if any graphics have been skillfully selected by the player's gesture. A player's gestures may be input to the entertainment game via a touch screen interface, a camera input device, a pointing device or similar mechanism.

In the case that the item is a non-gambling graphic, appropriate game world credit (GWC) 1414 is added to the players GWC score, the master game state 1416 is updated, and this information is communicated to the player via the display interface. In the case that one or more of the graphics skillfully selected by the players play of the entertainment game is a gambling graphic, in addition to providing GWC, f1 may initiate one of a plurality of gambling games by triggering 1418 an RC 1420 wager 1422 in the real world engine (RWE) 1424 of the hybrid game. The amount of the wager and the RC pay table 1426 utilized by the RWE is determined by the type of gambling game triggered by the user selection in the ESE, as communicated to the RWE by function f1 in the GWE.

[00105] In many embodiments upon receiving input from function f1 in the GWE, the RWE will process the gambling proposition and determine a gambling game outcome based upon input received from f1, by function f2 1428, utilizing additional input from the RC pay table and the random number generator (RNG) 1430. In the case of a winning wager, RC 1432 is returned to the player.

[00106] In some embodiments, an intermediate in game credit or entertainment game resource, referred to for the purpose of this disclosure as factor x, may exist. Factor x may be used to purchase advantages or entertainment game resources in the entertainment game, which may include but are not limited to opportunities to change the game state, purchase power-ups, special weapons or extra lives in the entertainment game, or potentially exchange for additional GWC. In some embodiments, Factor X may also be awarded directly in the form of an entertainment game resource. Factor X to be awarded is a function of f3 1434, which is based upon inputs from the factor x pay table 1436, as well as input from f2, which by definition includes inputs to f2, including but not limited to wager amount, RNG, and RC pay table.

[00107] In some embodiments, awarding of the intermediate in-game credit or entertainment game resource is on the basis of a random outcome from an RNG that is independent of a random outcome from an RNG used to determine a gambling game outcome.

[00108] In some embodiments the result of the wager, output from f2, factor x awarded, output from f3, along with GWC awarded, output from f1 are updated in the master game state and communicated to the player via the display interface.

[00109] Fig. 15 is a process flow diagram for a hybrid game having a player selectable gambling game in accordance with an embodiment of the invention. At the start of play 1500, a graphic is displayed 1502 in the field of play, to the player. Player input is received 1504, this may be in the form of a gesture by the player to slice or swipe the displayed graphic in order to skillfully select the graphic. In the case 1506 that the player's gesture does not intersect (or slice) the presented graphic, the entertainment game is updated appropriately 1508, and displayed to the player. In the case 1510 that the player's gesture does intersect the displayed graphic, which is not a gambling game graphic, the entertainment game is updated appropriately 1508, and displayed to the player. In the case 1510 that the payer's gesture intersects a graphic that is a gambling game graphic, the appropriate gambling game is entered into 1512 and played by the player. Gambling game outcome and entertainment game rewards are updated 1514, which may include RC, Factor X and/or GWC as described herein. The updated information is conveyed to the player via the display interface. If the entertainment game has reached its conclusion 1516, the game is ended 1518. If the entertainment game has not reached its conclusion, play returns to the entertainment game where further graphics are presented to the player to interact with.

[00110] Fig. 16A illustrates a player interface in accordance with an embodiment of the invention in which a plurality of game graphics are presented to the player. In the player interface 1600, the graphics shown represent iconic images that may be related to gambling, including a pink flamingo 1604, and a cocktail glass 1602. The object of the game is for the player through the use of a gesture or pointing device to skillfully select, such as by slicing or slashing the icons as they appear on the display screen. In this embodiment GWC is represented by the score 1606 in the upper left corner of the display, player lives remaining are represented by the hollow X's 1608 in the upper right corner of the display, and the lower edge of the display shows the gambling parameters including gambling denomination per credit 1610, an information button 1612, and in

both credits and RC; credit balance 1614, amount wagered 1616, and amount of win 1618.

[00111] Fig. 16B illustrates a player interface in accordance with an embodiment of the invention. In the player interface 1648 a graphic 1650, in this case a horseshoe, is presented to the player. In Fig. 16B, the horseshoe is being skillfully selected by slicing by the player. As the horseshoe does not represent a gambling game, in Fig. 16B the player interface has been updated to show the increase in GWC 1652, and the skillfully selected, or sliced, horseshoe falling away from the display. As no gambling has occurred as a result of this play, the meters at the bottom of the player interface 1656 have not changed.

[00112] Figs. 17A, 17B, 17C and 17D illustrate an operation of a player interface in accordance with an embodiment of the invention. In the player interface 1700, a graphic 1702 representing a gambling game, in this case a glowing sparking slot machine, is presented to the player. Multiple elements including but not limited to the graphic icon itself (in this case a slot machine), the glowing halo around the graphic and the sparkling effect, indicate to the player that this is an opportunity to enter into a wager. The type of gambling game and the VI for the wager are determined by the graphic shown, in this case a slot machine. By skillfully selecting, by slicing, the slot machine, as shown in Fig. 17B, the player enters into a slot machine gambling game 1704, as shown in Fig. 17C.

[00113] As illustrated in Fig. 17C, the gambling game is executed as indicated to the player by one or more wager process graphics that are displayed to the player using the player interface, such as reels 1706, representing that a real credit wager is being made for an amount of real credits in accordance with a specified gambling proposition. In some embodiments, the gambling proposition is represented by a 3 reels having 20 symbols for each reel. Other embodiments may represent gambling propositions using one or more reels having two or more symbols for each reel. More reels, or the more symbols per reel, indicate a gambling game having a gambling proposition with a higher volatility (lower VI), while fewer reels or fewer symbols per reel represent a gambling game having a gambling proposition with a lower volatility (higher VI). Some

embodiments may use representations of other types of gambling games having gambling propositions with higher or lower volatility (lower or higher VIs, respectively.)

[00114] One or more additional random entertainment game outcome indicators, such as reel 1708, represent an random entertainment game outcome of entertainment in-game credit or entertainment game resources awarded to the player in conjunction with the gambling game outcome. The random entertainment game outcome may be based on the gambling game outcome, or may be based on a different random outcome.

[00115] As shown in Fig. 17D, reels 1706 and 1708 have come to a stop, indicating a gambling game outcome as well as an random entertainment game outcome. As illustrated, matching symbols appear on the stopped reels 1706 indicating a positive gambling game outcome for the player. Reel 1708 has come to a stop indicating that the player is being awarded a random entertainment game outcome in the form of an extra life. An indicator of the awarded entertainment game resource is updated, in this case the player's lives 1710, and the lower portion of the player interface 1712 is updated to reflect the player's real credit win as the wager was a winning wager, and the RC credit meters are appropriately updated and displayed to the player.

[00116] Figs. 18A, 18B, 18C and 18D illustrate an operation of a player interface in accordance with an embodiment of the invention. In the player interface 1800, a graphic representing a gambling game 1802, in this case a glowing sparking roulette wheel, is presented to the player. Multiple elements including but not limited to the graphic icon itself (in this case a roulette wheel), the glowing halo around the graphic and the sparkling effect, indicate to the player that this is an opportunity to enter into a wager. The type of gambling game and the VI for the wager are determined by the graphic representing the gambling game as shown, in this case as a roulette wheel.

[00117] Referring now to Fig. 18B, by skillfully selecting by slicing the graphic representing the gambling game, the player enters into a gambling game, as represented by an appropriate wager process indicator 1804, in this case a roulette wheel representing a roulette gambling game. In the gambling game shown in Fig. 18B, the player may choose a type of wager, such as to bet on red or black, by selecting wager indicators, such as red button 1806 or black button 1808.

[00118] One or more additional random entertainment game outcome indicators, such as wheel portion 1805, represent a random entertainment game outcome of entertainment in-game credit or entertainment game resources awarded to the player in conjunction with the gambling game outcome. The random entertainment game outcome may be based on the gambling game outcome, or may be based on a different random outcome. In some embodiments, the one or more random entertainment game outcome indicators represent a particular entertainment in-game credit or resource that may be awarded to the player on the basis of the gambling game outcome. In this case, multiple sections of an outer portion of the roulette wheel representing possible gambling game outcomes align with a single section of an inner portion of the roulette wheel indicating an entertainment game in-game credit or resource that may be awarded to the player in conjunction with a particular gambling game outcome.

[00119] As illustrated in Fig. 18C, the player selected a type of wager as a bet on red, and the gambling game outcome was a winning wager, as indicated by a ball 1812 landing in a red pocket 1814. In addition, the player was awarded an entertainment game outcome in the form of an entertainment game resource that is an extra life. As the player has had a successful gambling game outcome, the RC credit meters are updated and displayed to the player, as shown in Fig. 18D.

[00120] In some embodiments, an inner portion of the roulette wheel offers a bonus opportunity, which may include by are not limited to opportunities to win and extra life, extra GWC or other advantages in the entertainment game.

[00121] In yet other embodiments of a user selectable gambling game in a hybrid game, the plurality of gambling game graphics may be presented to a player sequentially. For example, the gambling game graphics are mixed in with a plurality of entertainment game graphics that the player must skillfully select in order to advance in the entertainment game.

[00122] In additional embodiments, the gambling game graphics may be presented to the player in parallel. For example, the gambling graphics are targets in a shooting gallery having moving targets. The player may have the opportunity to skillfully select the gambling game he wishes to play by skillfully shooting the desired target in the shooting gallery. In the example given of a shooting gallery, targets may be displayed

on the entertainment game display as static or moving targets, additionally, targets may vary in size, in order to maximize the skill requirement of the entertainment game. A light gun or similar device may be used to skillfully shoot the targets.

[00123] In some embodiments, the player may be presented with the plurality of gambling game graphics sequentially. The player may only be penalized in the case the player fails to skillfully select at least one of the gambling game graphics from the plurality of gambling game graphics. In the example of the shooting gallery, the player may be penalized if they fail to hit any target with their shot.

[00124] In one embodiment, a hybrid game is based upon a samurai warrior slashing objects as they fly across the screen. The player may have the opportunity to earn game world credits through the skillful execution of slashing objects and in-turn, not allowing any of the target objects to escape the screen without being slashed.

[00125] In various embodiments the player interface may provide a display of gambling game objects, each of these objects representing a gambling game, having its own game mechanic, odds and payout. The gambling game objects may represent the type of gambling game to be played and are presented to the player within the context of an entertainment game.

[00126] In one embodiment, a period of time between a sequential presentation of the plurality of gambling game objects is controlled based on a gambling game metric. For example, if the player is gambling too often, a rate of the player's gambling play may be restricted by increasing the period of time between each presentation of a gambling icon. In another embodiment, if the player does not select any gambling games over a period of time or over a number of opportunities to do so the player may be penalized such that the entertainment game is ended.

[00127] In one embodiment, skillful selection of a gambling game icon triggers a gambling game wherein the play of the gambling game dominates the player's display. For example, selection of a roulette wheel object or icon causes the roulette wheel graphic to start spinning and fill the display area of the player's display as the wheel spins and a ball finds a pocket. Once the ball comes to rest, the roulette wheel may be diminished in size, revealing the remainder of the entertainment game display.

[00128] In various embodiments, each game type will have its own unique odds and pay table, and the player can control the volatility of their wagers through the skillful execution of the entertainment game, and skillful selection of the gambling game type. For example, black or red wager on a roulette wheel have low volatility, a wheel of fortune has medium volatility and a 4 reel slot has high volatility.

[00129] In various embodiments, the RWE of the user selectable gambling game hybrid game would have the ability to act upon and process wagers for a plurality of casino games, including but not limited to, various slot machine mechanics, roulette, wheel of fortune (big 6 wheel), various poker games, blackjack, and craps.

[00130] Although certain specific embodiments of a gaming system have been described herein, many additional modifications and variations would be apparent to those skilled in the art. For example, the features of the various embodiments described herein may be implemented independently, cooperatively or alternatively without deviating from the spirit of the disclosure. It is therefore to be understood that the gaming system may be practiced otherwise than as specifically described. Thus, the foregoing description of the gaming system should be considered in all respects as illustrative and not restrictive, the scope of any claims to be determined as supported by this disclosure and the claims' equivalents, rather than the foregoing description.

WHAT IS CLAIMED IS:

1. A user selectable gambling game hybrid game, comprising:
 - a real world engine constructed to provide a randomly generated payout of real world credits from a real credit wager for a plurality of gambling games;
 - an entertainment software engine constructed to execute an entertainment game providing outcomes based upon skillful execution of the entertainment game to earn a payout of game world credits; and
 - a game world engine constructed to:
 - manage the entertainment software engine and communicate gameplay gambling event occurrences based upon skillful execution of the entertainment game that trigger at least one wager in the gambling game to the gambling game;
 - receive entertainment game variable data from the entertainment software engine to determine what type of gambling game to execute, from a plurality of gambling games; and
 - initiate a gambling game, from the plurality of gambling games, in the real world engine utilizing the real credit wager, based upon the entertainment game variable data received from the entertainment software engine.
2. The selectable gambling game hybrid game of claim 1, wherein the entertainment game variable data is a player input of a skillful selection of a graphic representing a selected gambling game of the plurality of gambling games.
3. The selectable gambling game hybrid game of claim 1, wherein each gambling game of the plurality of gambling games has a different volatility index.

4. The selectable gambling game hybrid game of claim 3, wherein the selected gambling game is a slot machine.
5. The selectable gambling game hybrid game of claim 3, wherein the selected gambling game is roulette.
6. The selectable gambling game hybrid game of claim 3, wherein the selected gambling game is wheel of fortune (big 6 wheel).
7. The selectable gambling game hybrid game of claim 3, wherein the selected gambling game is poker.
8. The selectable gambling game hybrid game of claim 3, wherein the selected gambling game is blackjack.
9. The selectable gambling game hybrid game of claim 3, wherein the selected gambling game is craps.
10. The selectable gambling game hybrid game of claim 1, wherein failure to skillfully select a gambling game from the plurality of gambling games causes the player to be penalized in the entertainment game.
11. A method of operating a selectable gambling game hybrid game, the method comprising:
 - providing a real world engine constructed to provide a randomly generated payout of real world credits real from a credit wager for a plurality of gambling games.
 - providing an entertainment software engine constructed to execute an entertainment game providing outcomes based upon skillful execution of the entertainment game to earn a payout of game world credits; and

providing a game world engine constructed to:

manage the entertainment software engine and communicate gameplay gambling event occurrences based upon skillful execution of the entertainment game that trigger at least one wager in the gambling game to the gambling game;

receive entertainment game variable data from the entertainment software engine to determine what type of gambling game to execute, from a plurality of gambling games; and

initiate a gambling game, from the plurality of gambling games, in the real world engine utilizing the real credit wager, based upon the entertainment game variable data received from the entertainment software engine.

12. The method of operating a selectable gambling game hybrid game of claim 11, wherein the entertainment game variable data is a player input of a skillful selection of a graphic representing a selected gambling game of the plurality of gambling games.
13. The method of operating a selectable gambling game hybrid game of claim 11, wherein each gambling game of the plurality of gambling games has a different volatility index.
14. The method of operating a selectable gambling game hybrid game of claim 13, wherein the selected gambling game is a slot machine.
15. The method of operating a selectable gambling game hybrid game of claim 13, wherein the selected gambling game is roulette.
16. The method of operating a selectable gambling game hybrid game of claim 13, wherein the selected gambling game is wheel of fortune (big 6 wheel).

17. The method of operating a selectable gambling game hybrid game of claim 13, wherein the selected gambling game is poker.
18. The method of operating a selectable gambling game hybrid game of claim 13, wherein the selected gambling game is blackjack.
19. The method of operating a selectable gambling game hybrid game of claim 13, wherein the selected gambling game is craps.
20. The method of operating a selectable gambling game hybrid game of claim 11, wherein failure to skillfully select a gambling game from the plurality of gambling games causes the player to be penalized in the entertainment game.
21. A non-transitory machine readable medium containing processor instructions, where execution of the instructions by a processor causes the processor to perform a process comprising:
- providing a real world engine constructed to provide a randomly generated payout of real world credits real from a credit wager for a plurality of gambling games.
 - providing an entertainment software engine constructed to execute an entertainment game providing outcomes based upon skillful execution of the entertainment game to earn a payout of game world credits; and
 - providing a game world engine constructed to:
 - manage the entertainment software engine and communicate gameplay gambling event occurrences based upon skillful execution of the entertainment game that trigger at least one wager in the gambling game to the gambling game;
 - receive entertainment game variable data from the entertainment software engine to determine what type of gambling game to execute, from a plurality of gambling games; and

initiate a gambling game, from the plurality of gambling games, in the real world engine utilizing the real credit wager, based upon the entertainment game variable data received from the entertainment software engine.

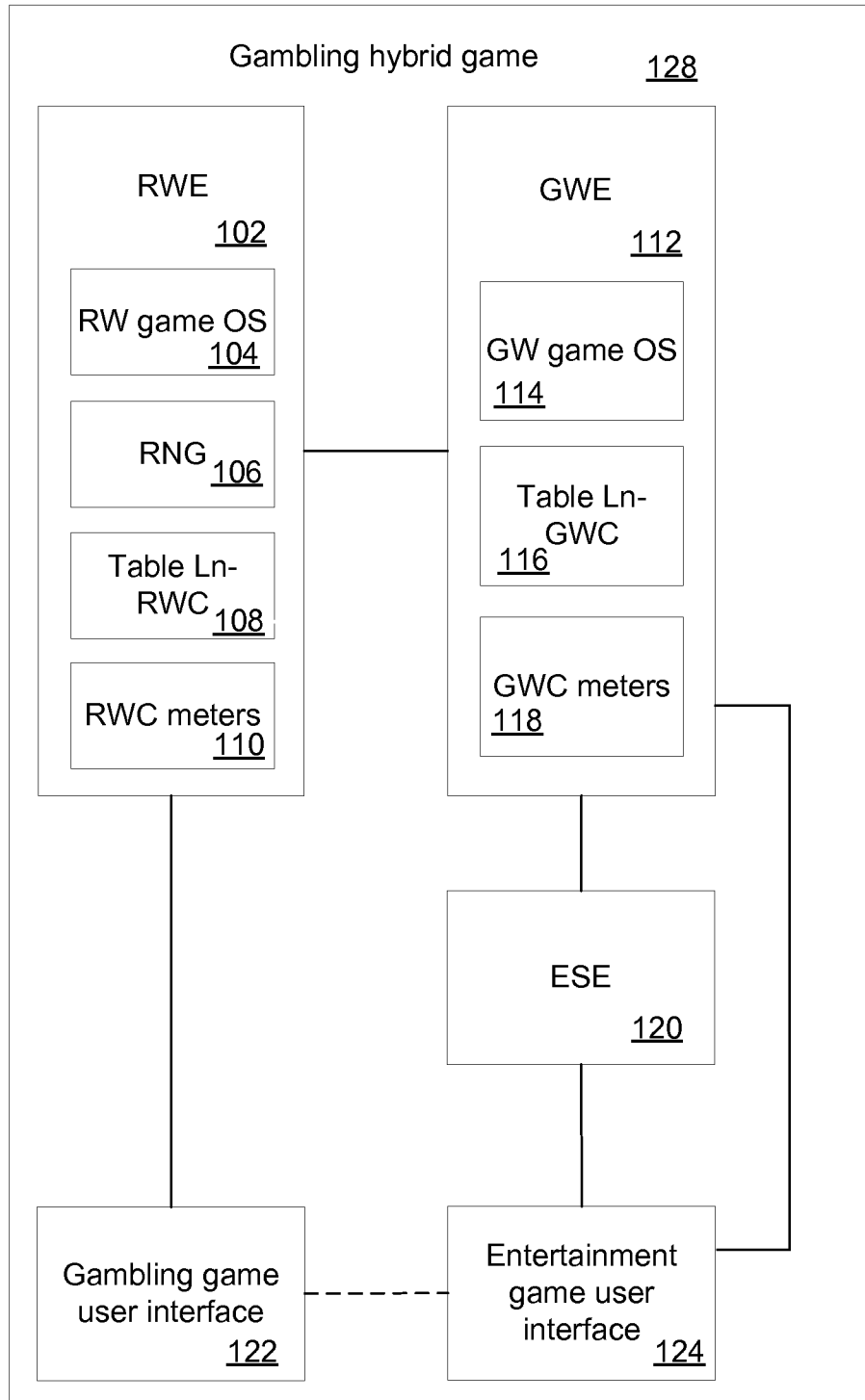


Figure 1

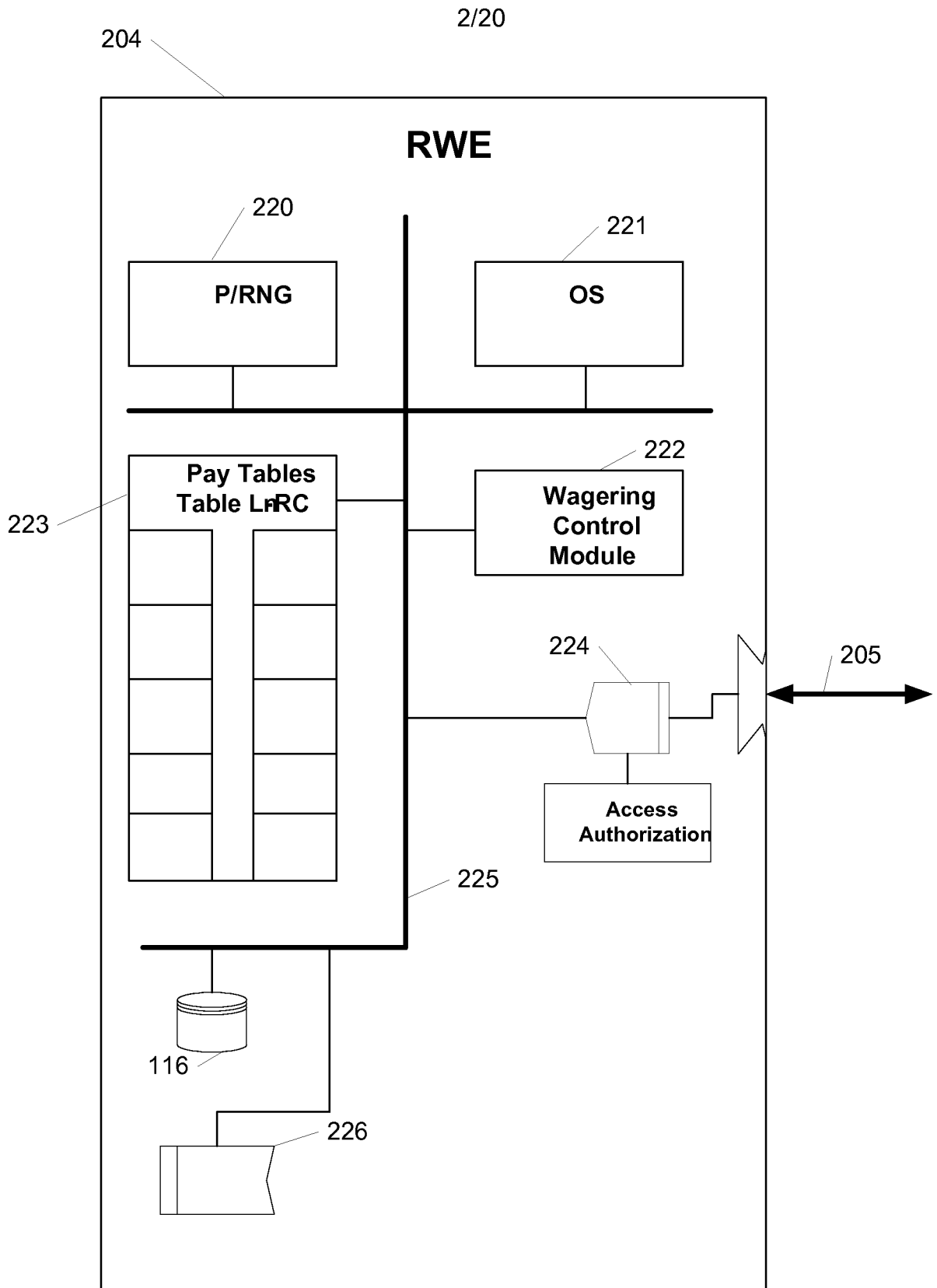


FIG. 2

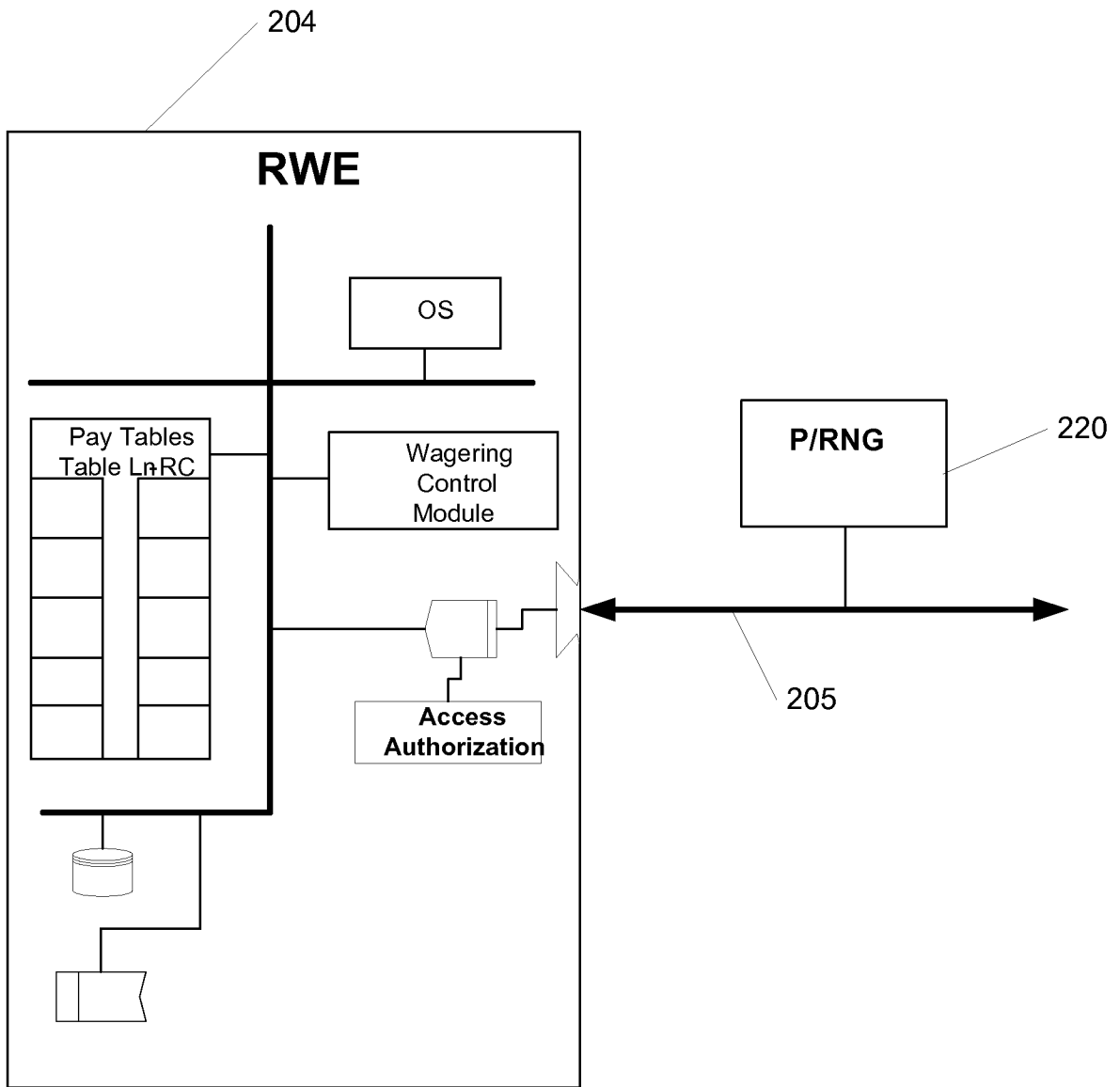


FIG. 3

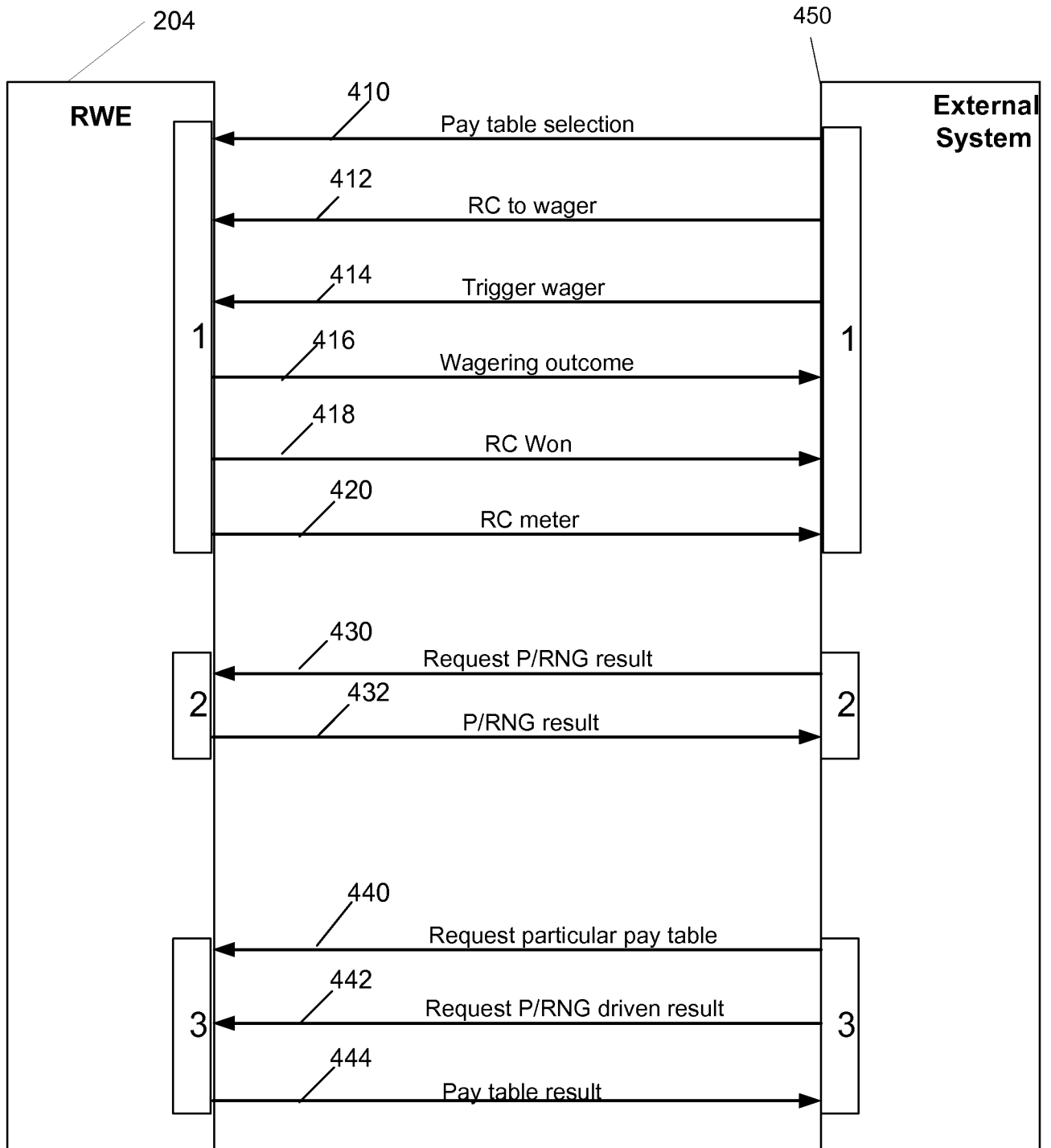


FIG. 4

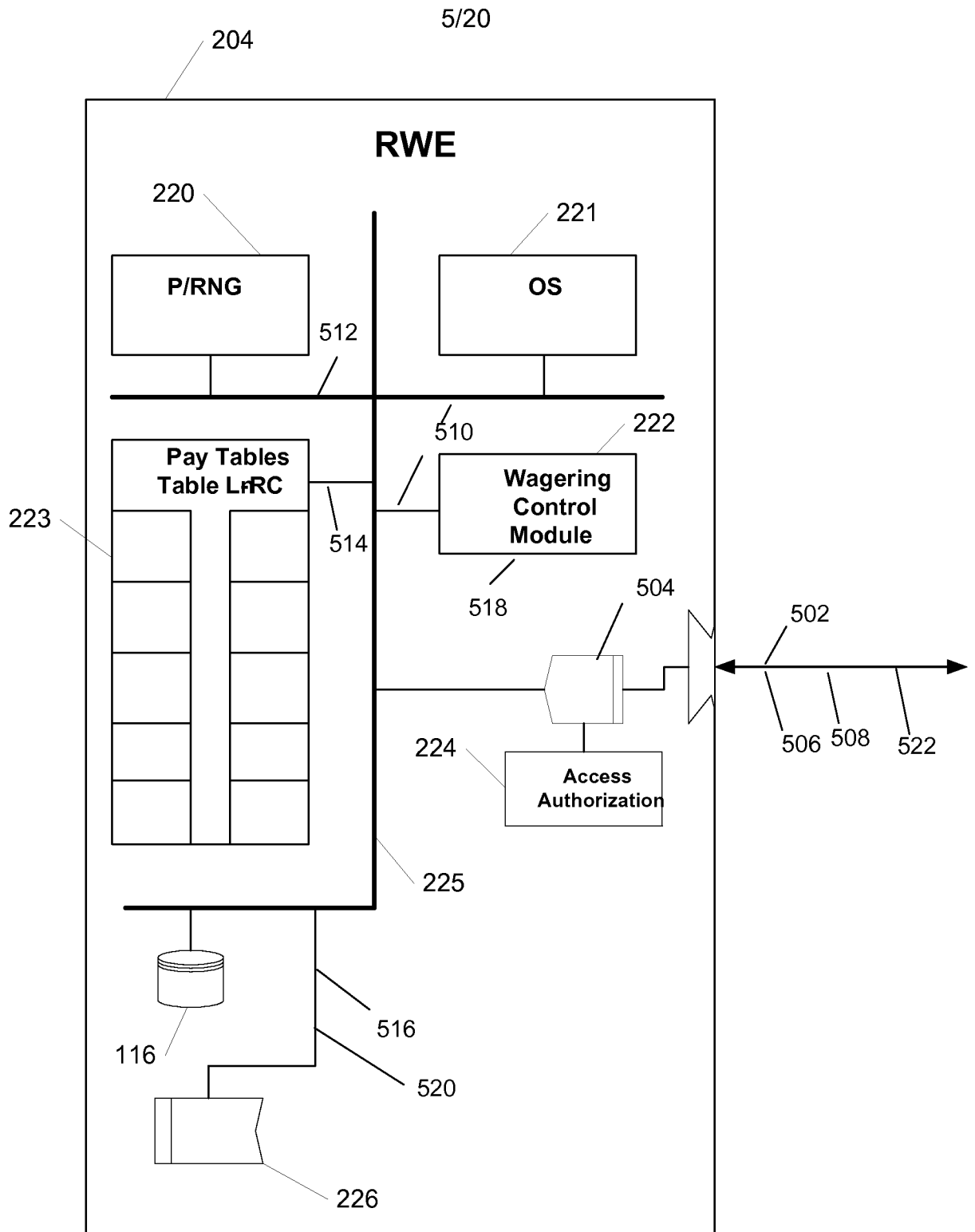


FIG. 5

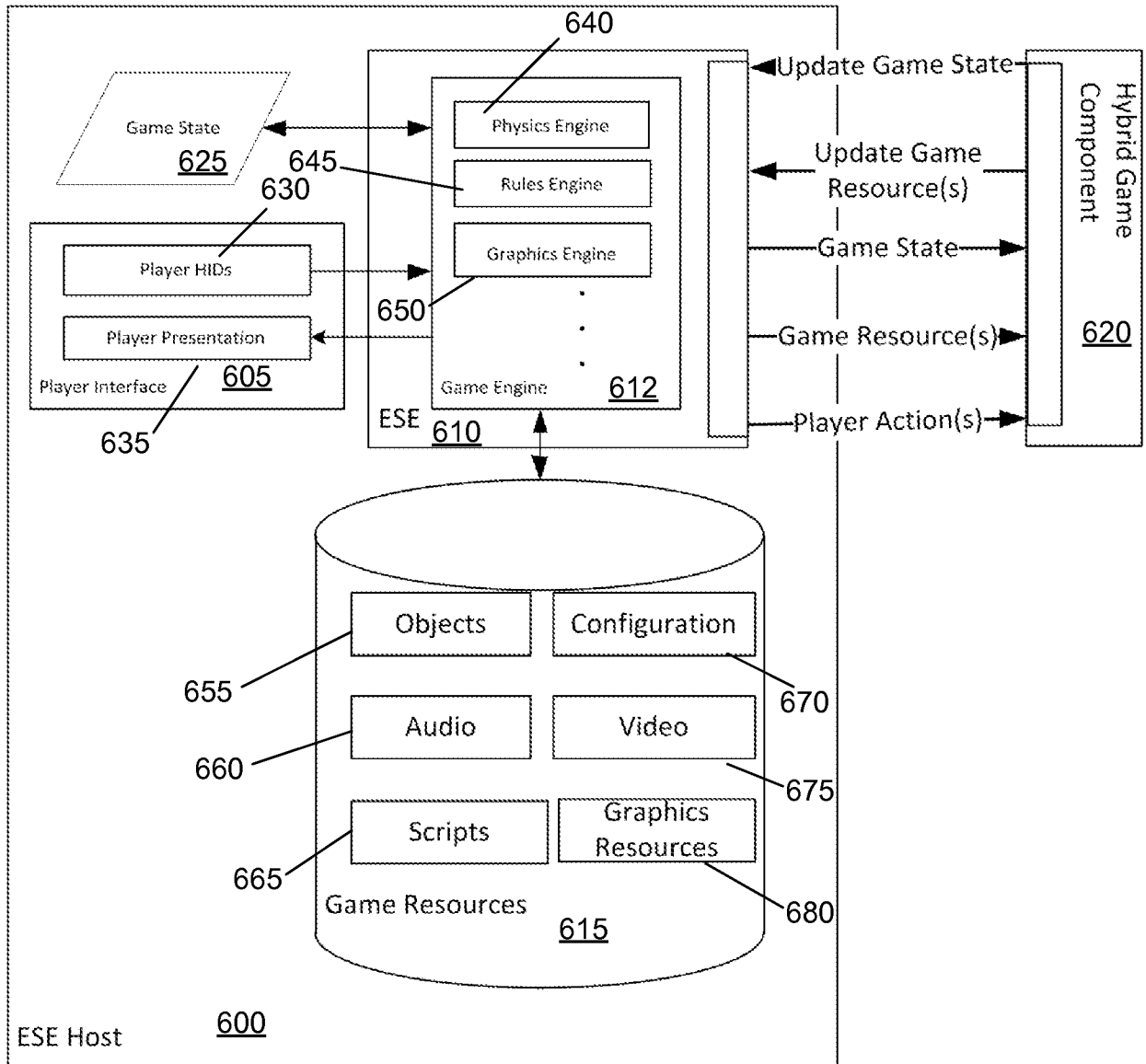


FIG. 6

7/20

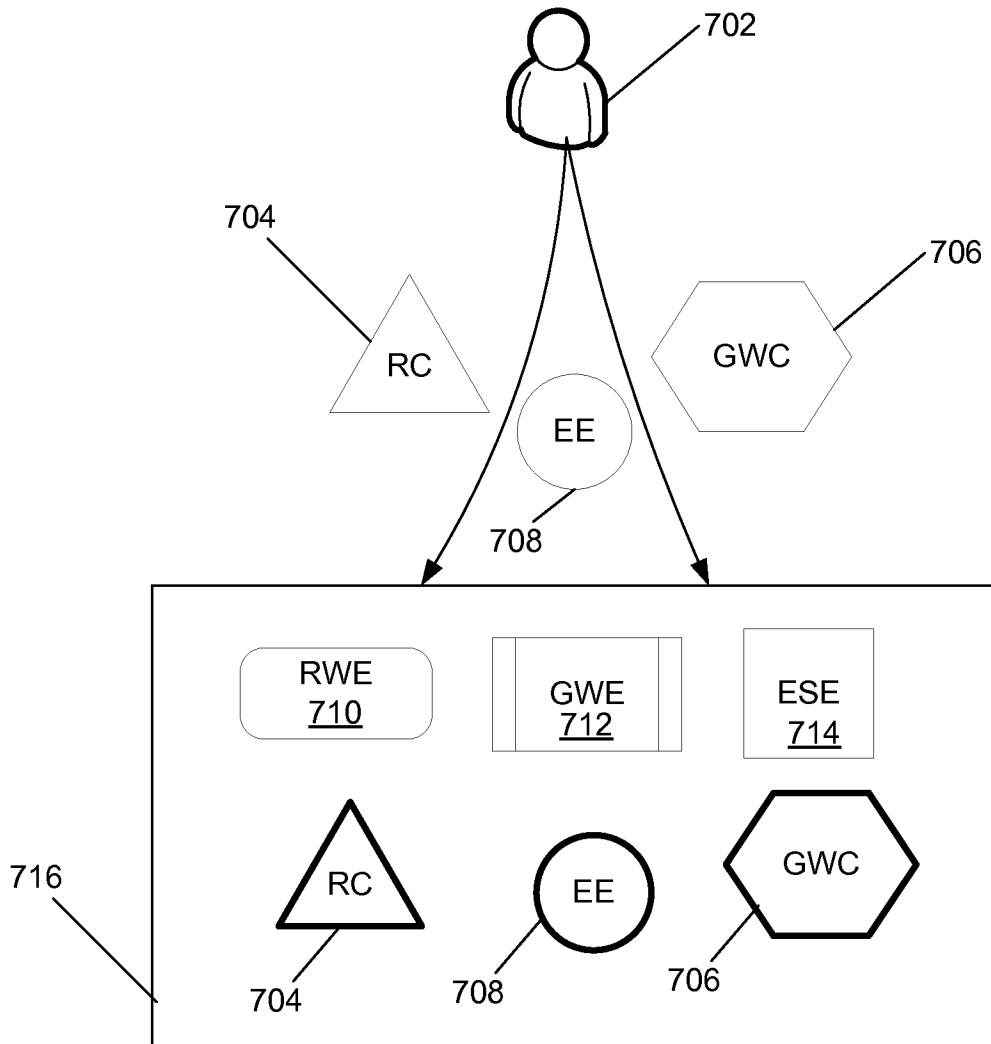


FIG. 7

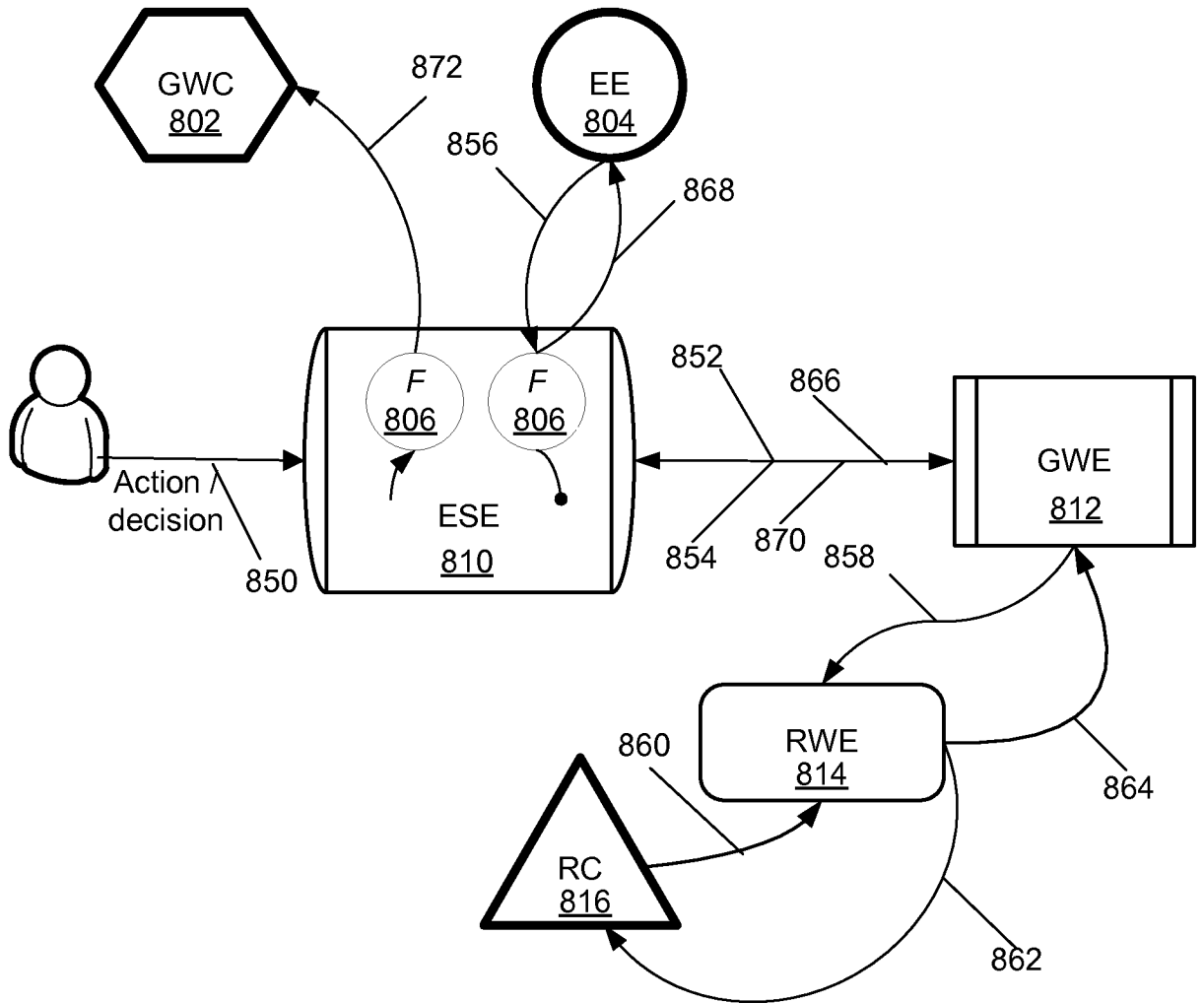


FIG. 8

9/20

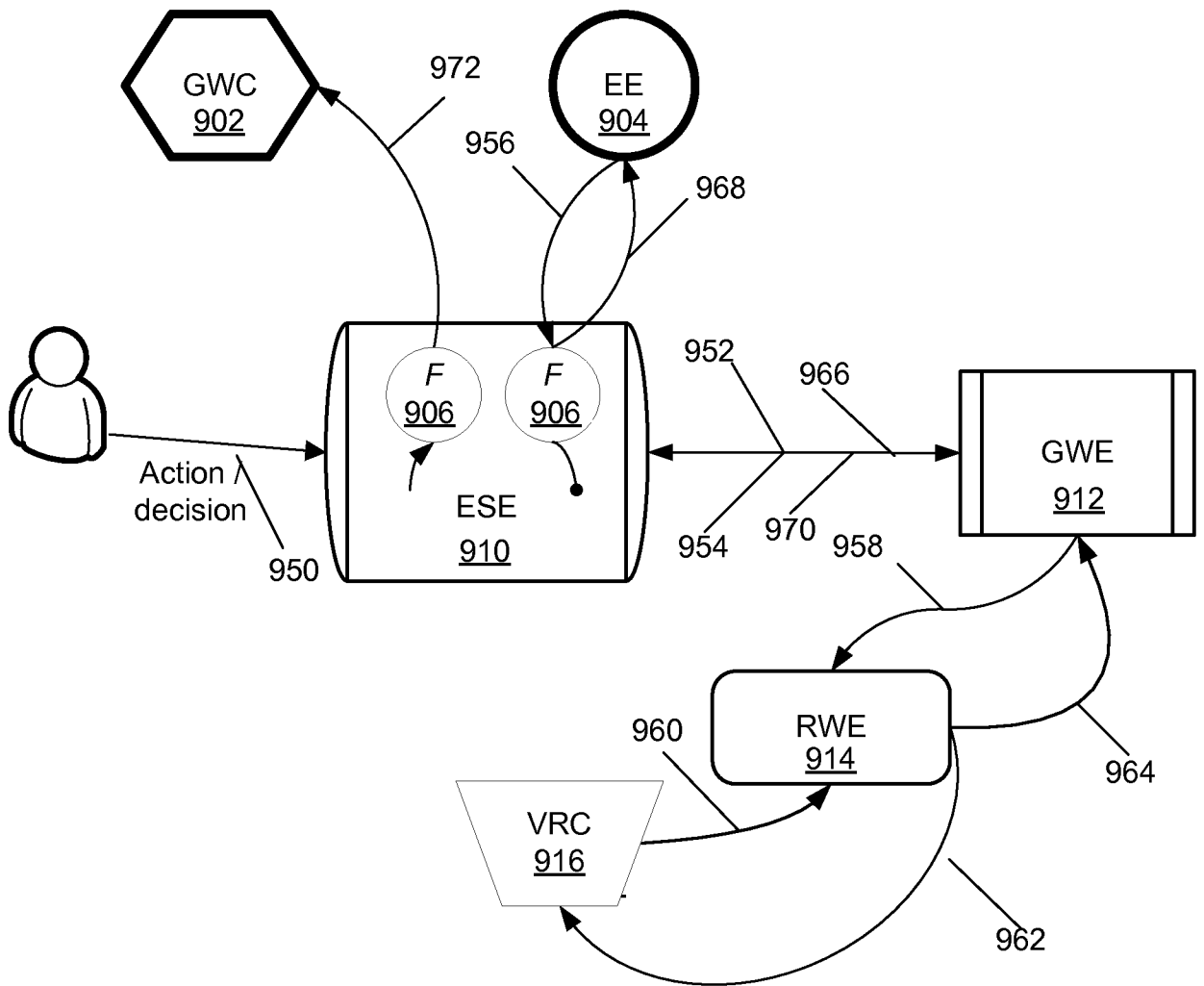


FIG. 9

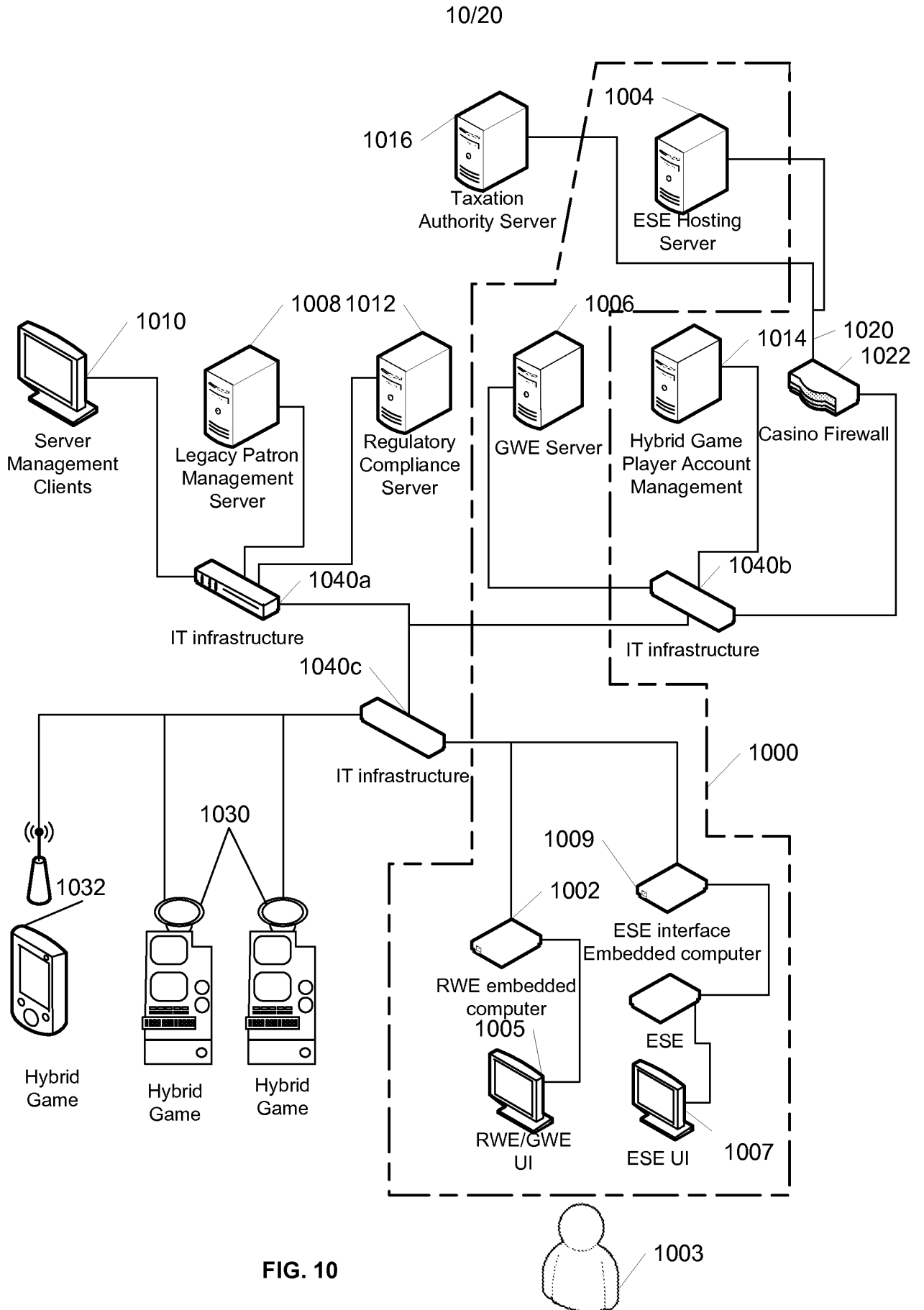


FIG. 10

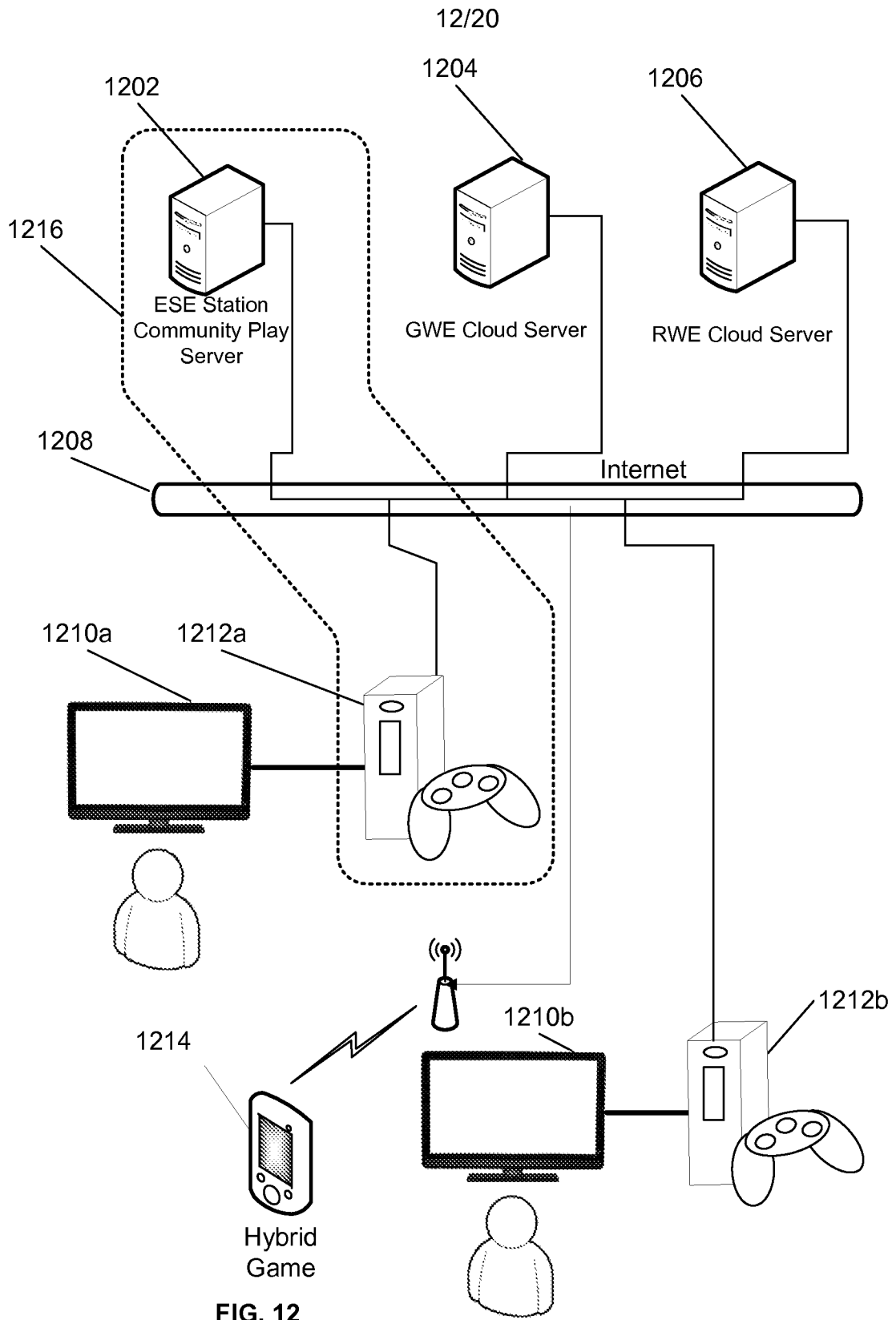


FIG. 12

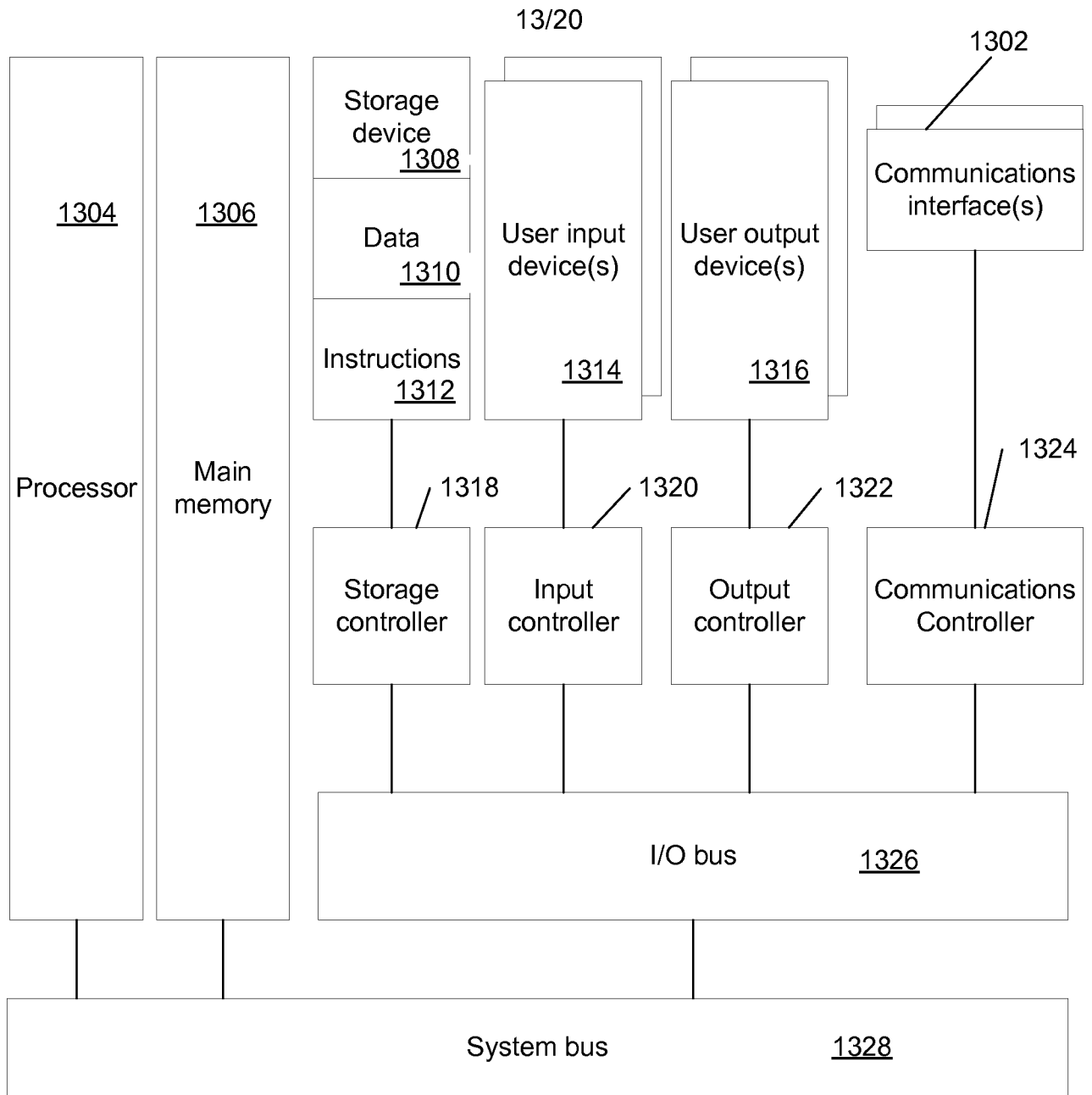
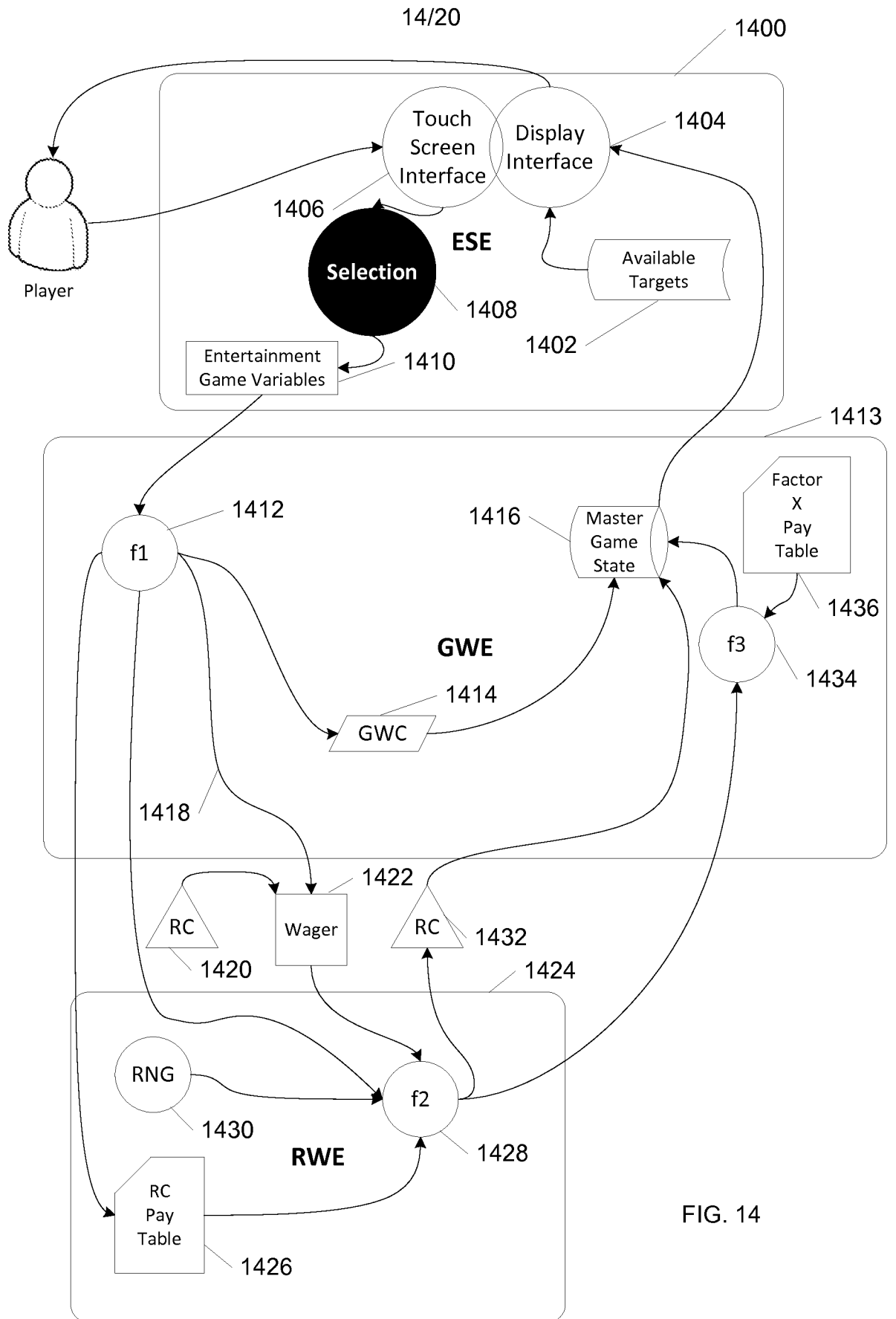


FIG. 13



15/20

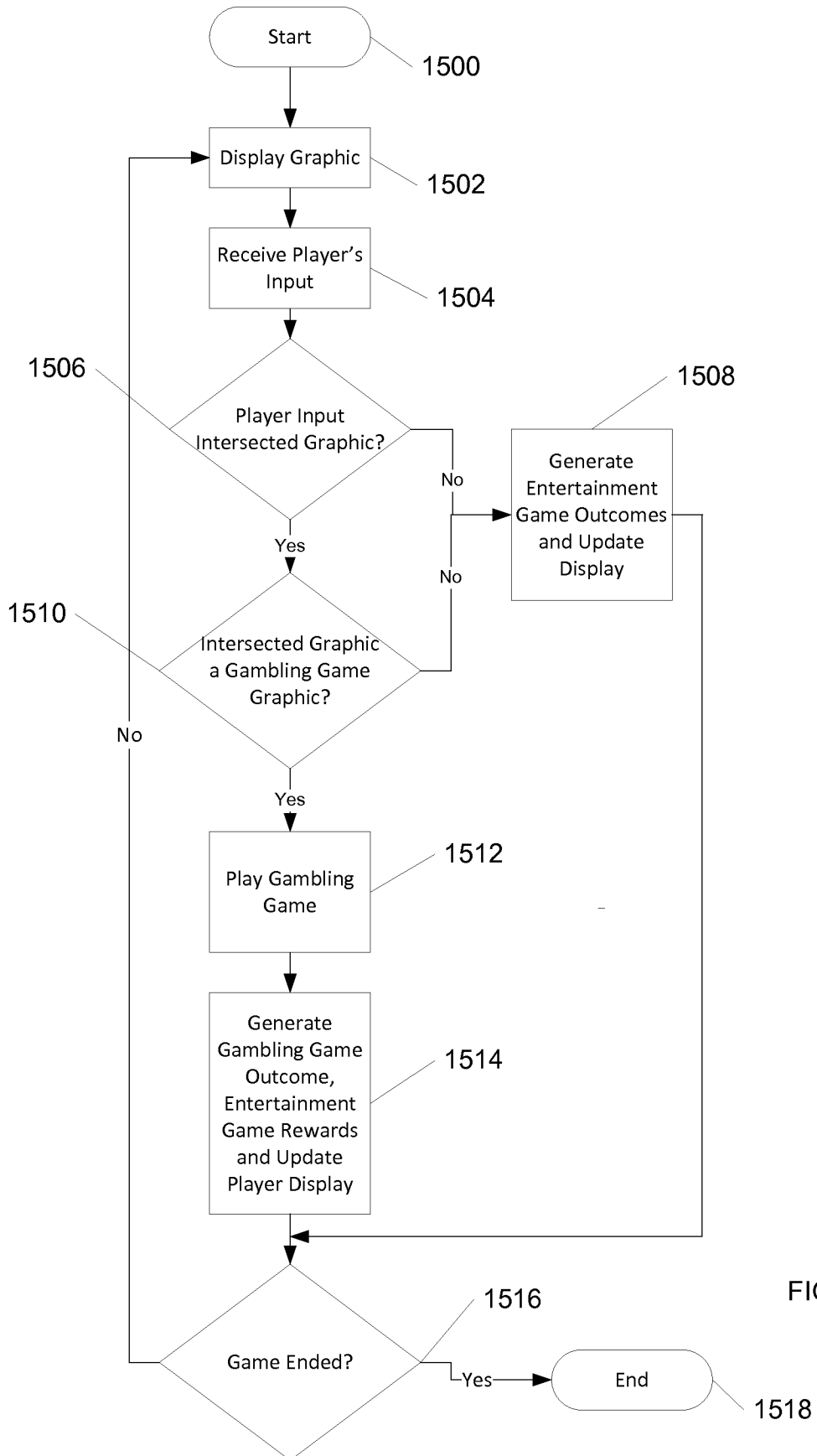


FIG. 15

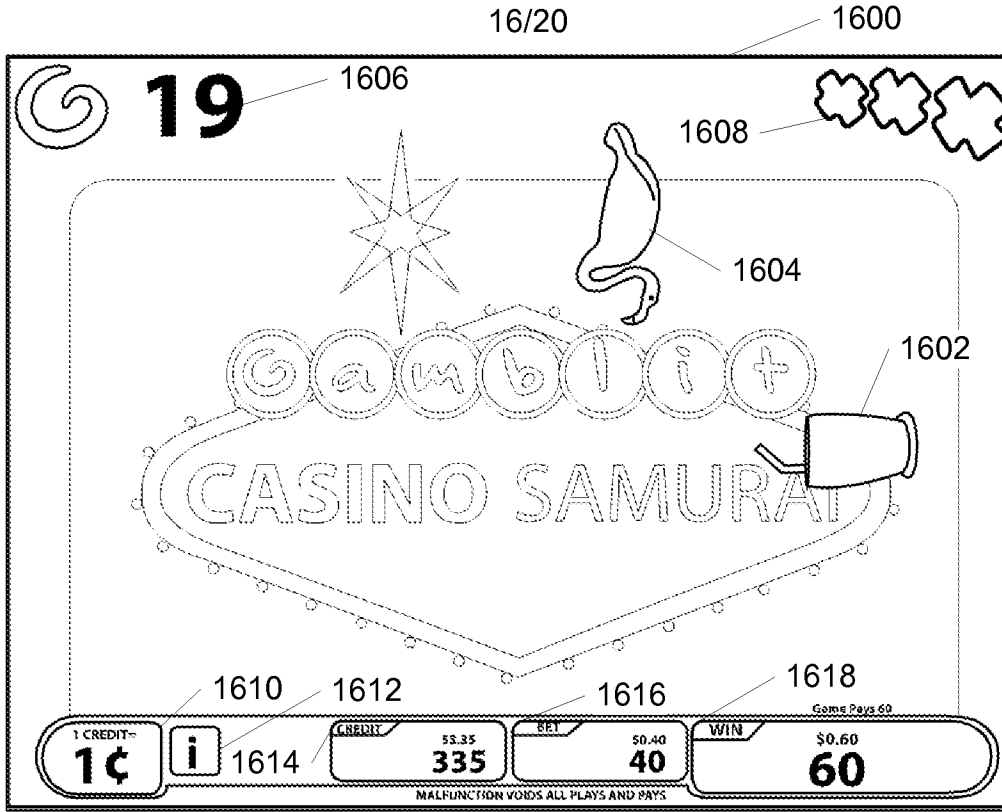


FIG. 16A

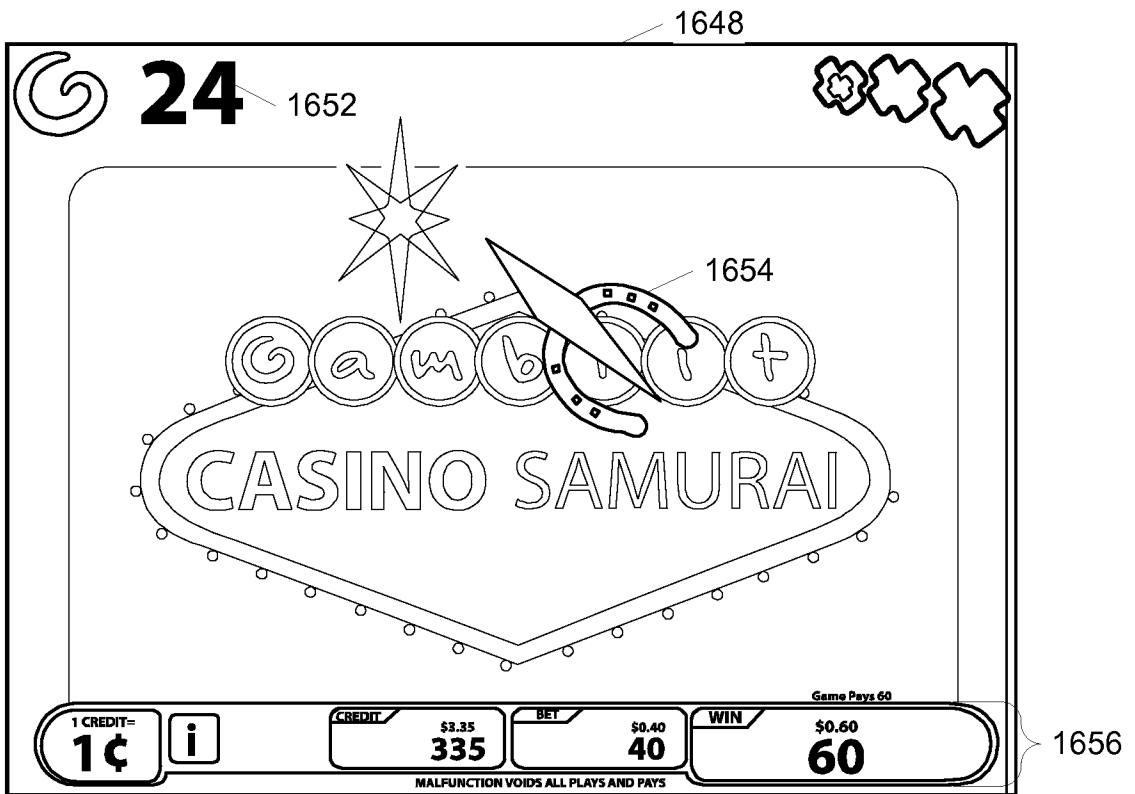


FIG. 16B

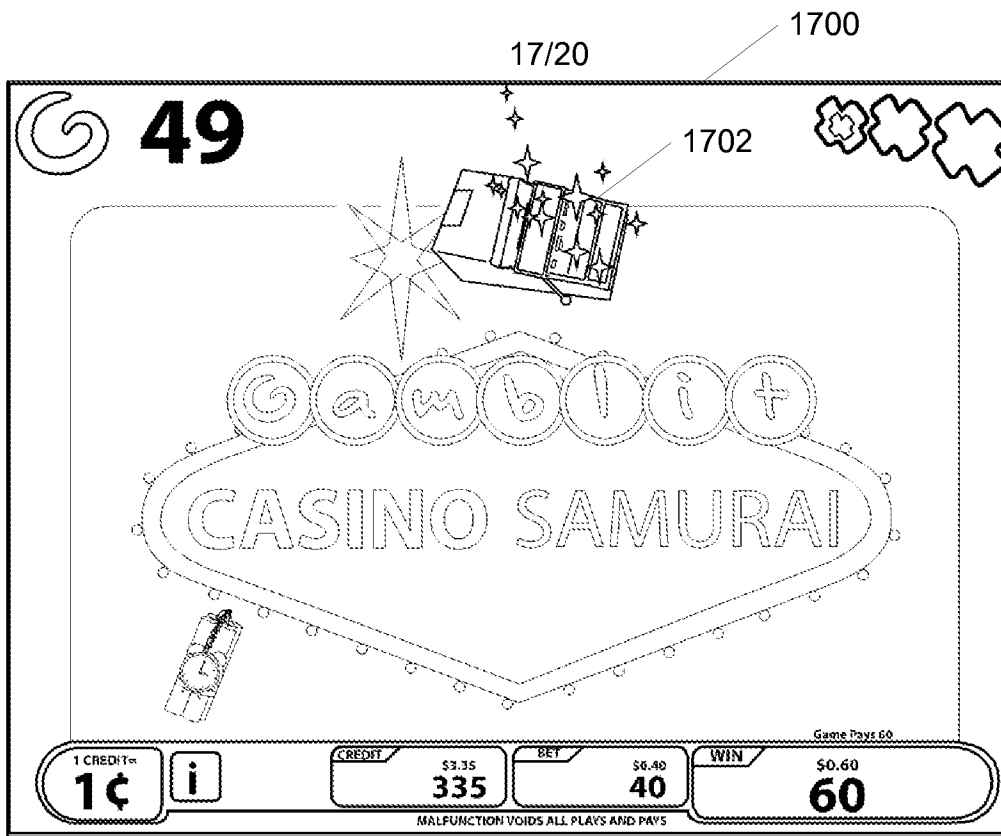


FIG. 17A

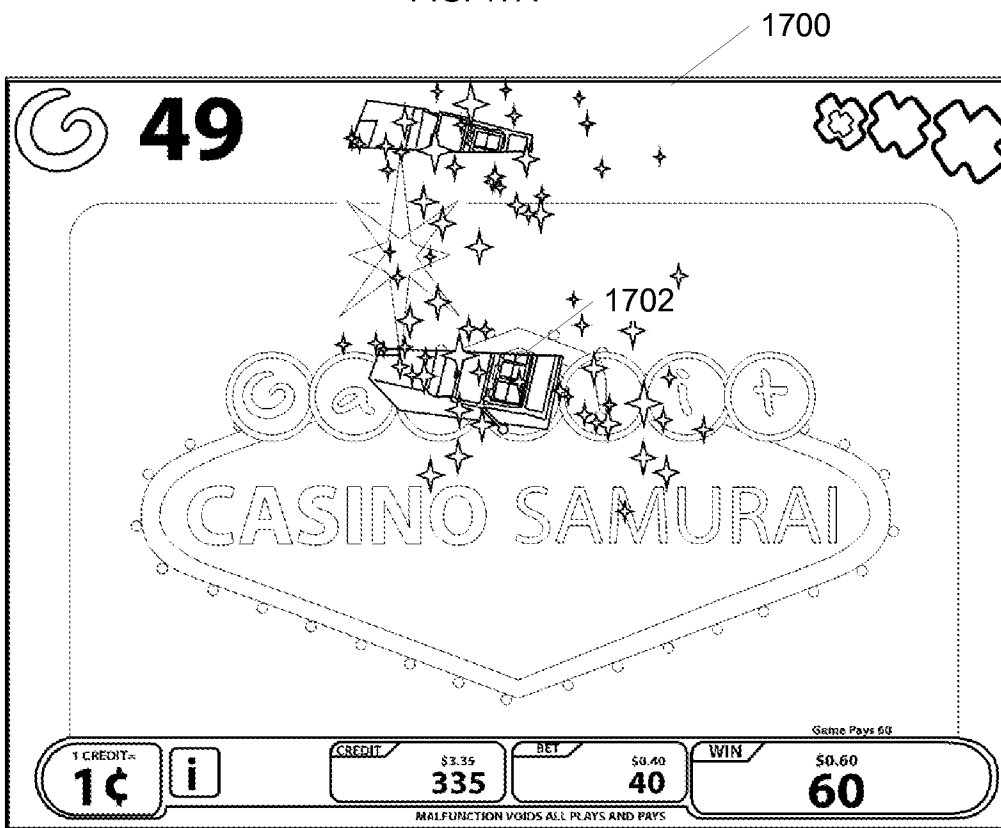


FIG. 17B

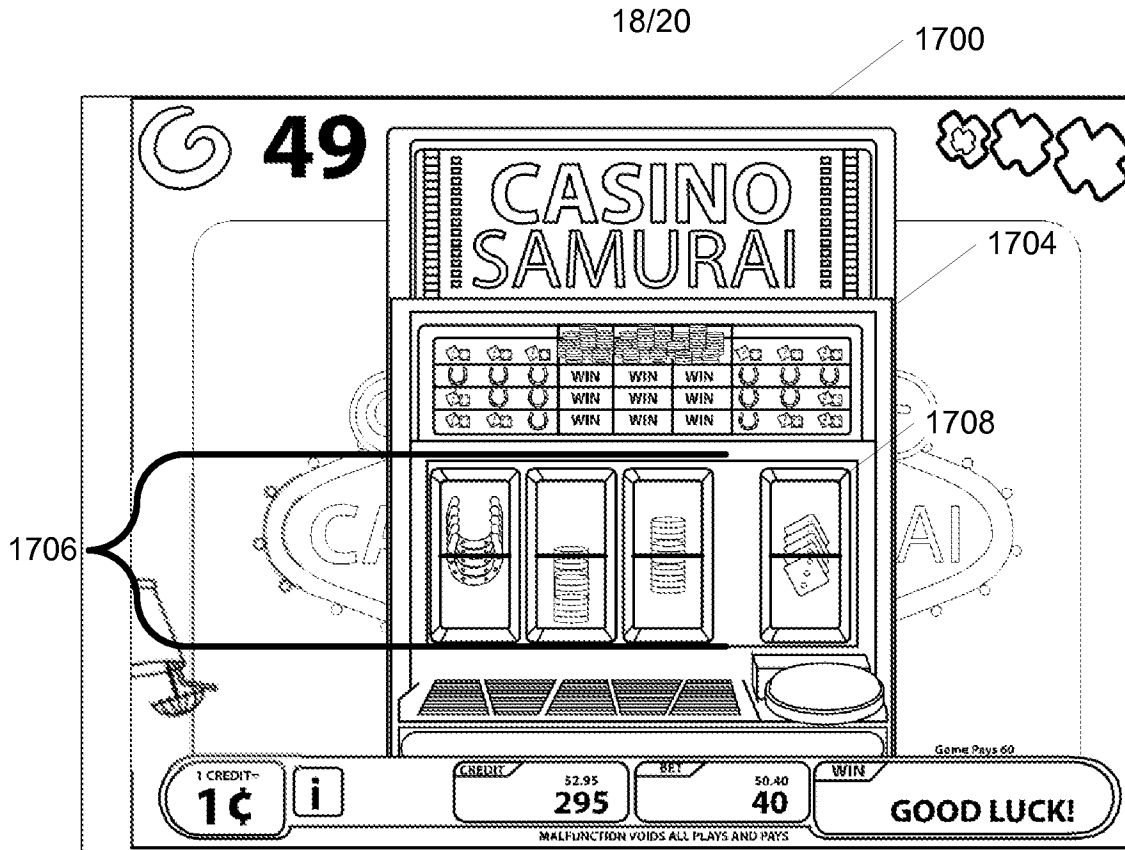


FIG. 17C

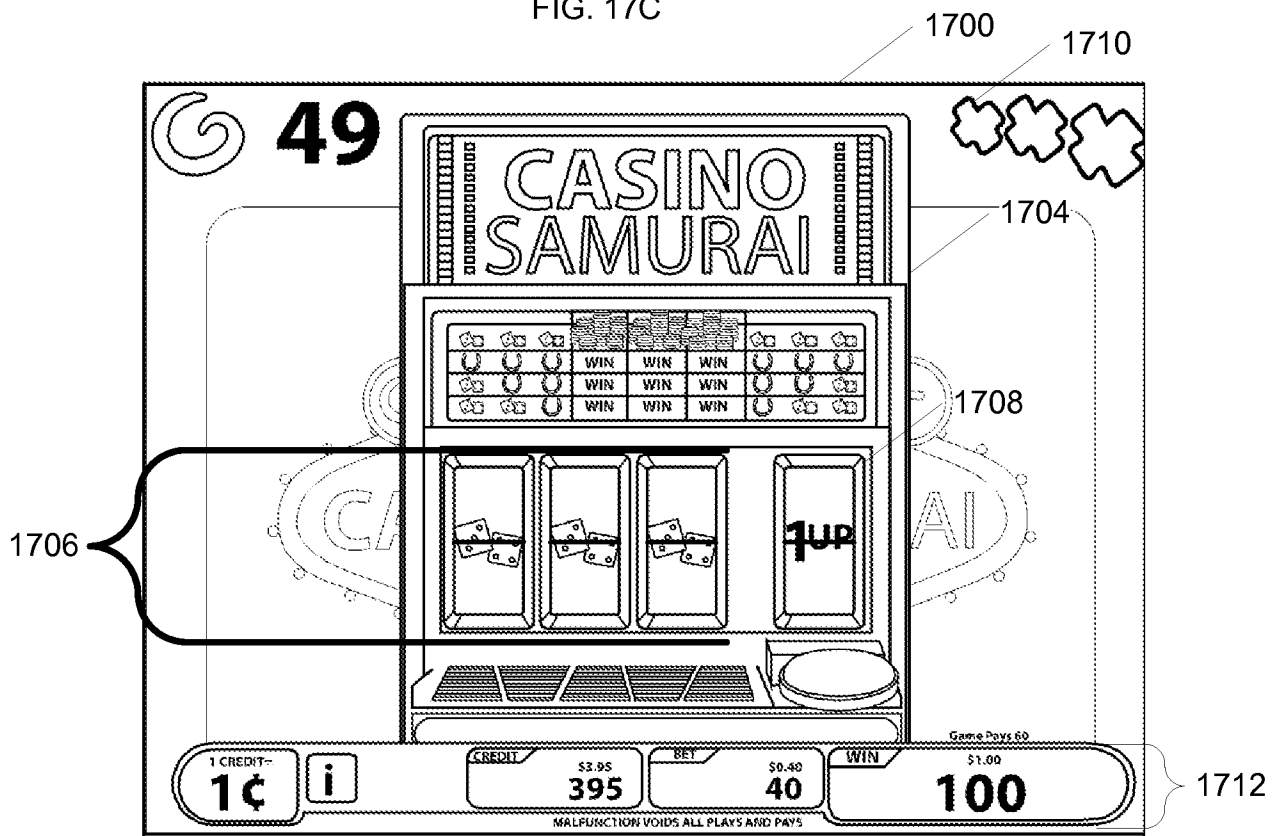


FIG. 17D

19/20

1800

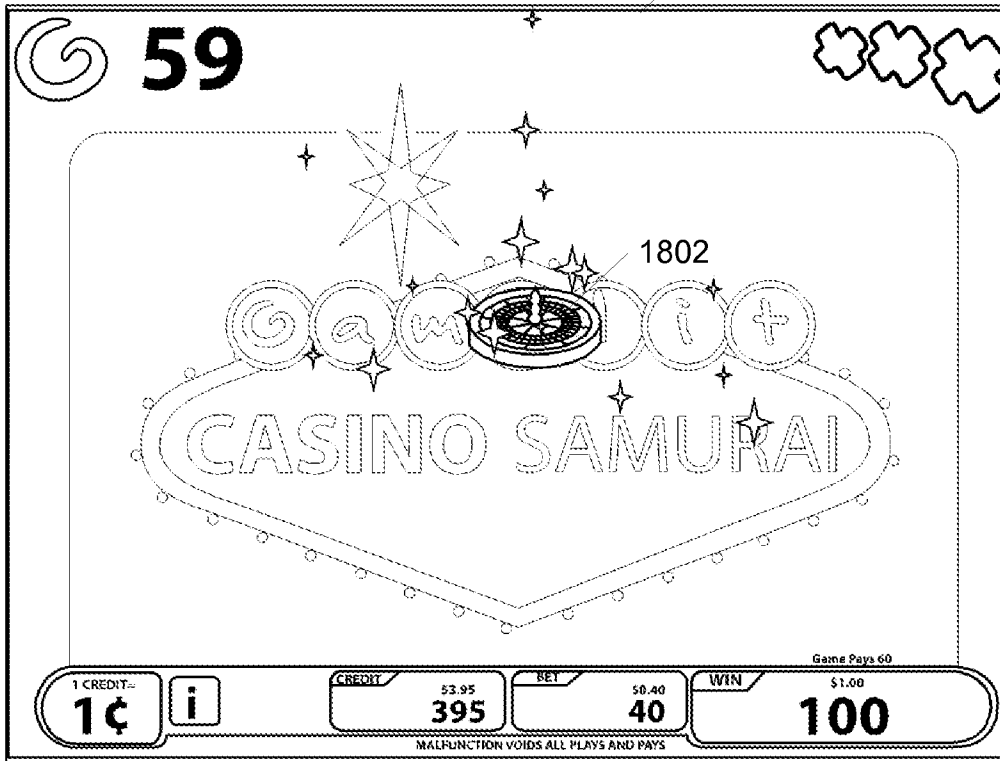


FIG. 18A

1800

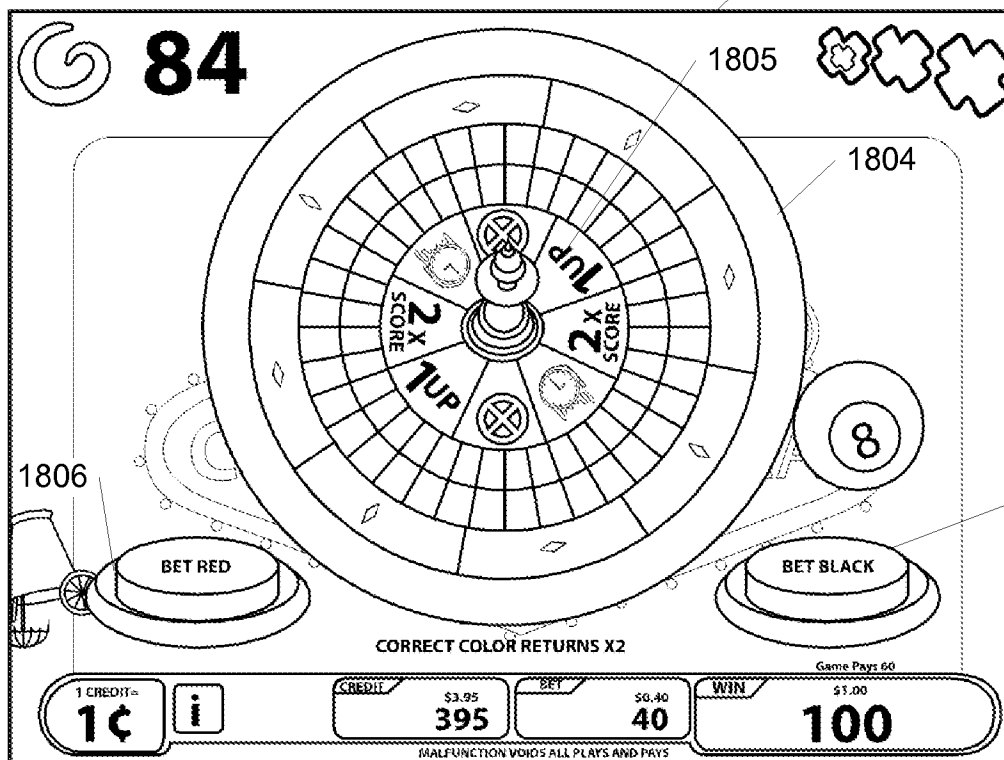


FIG. 18B

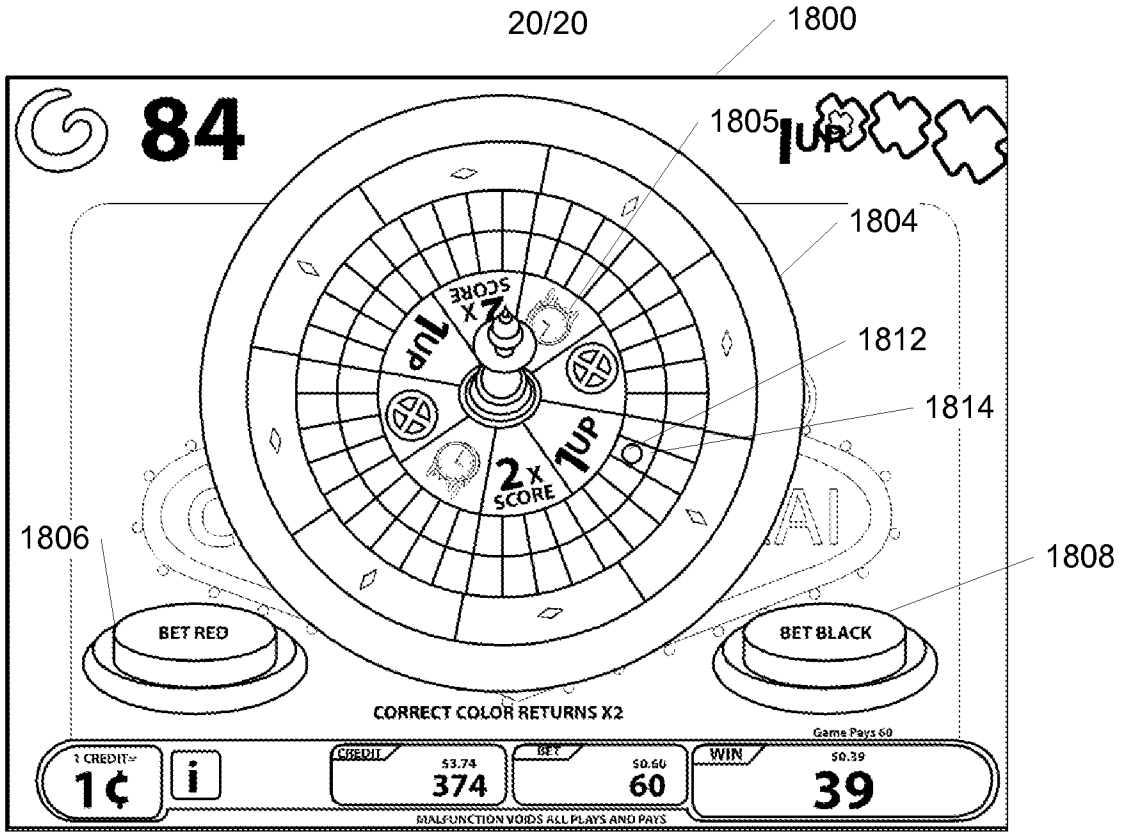


FIG. 18C

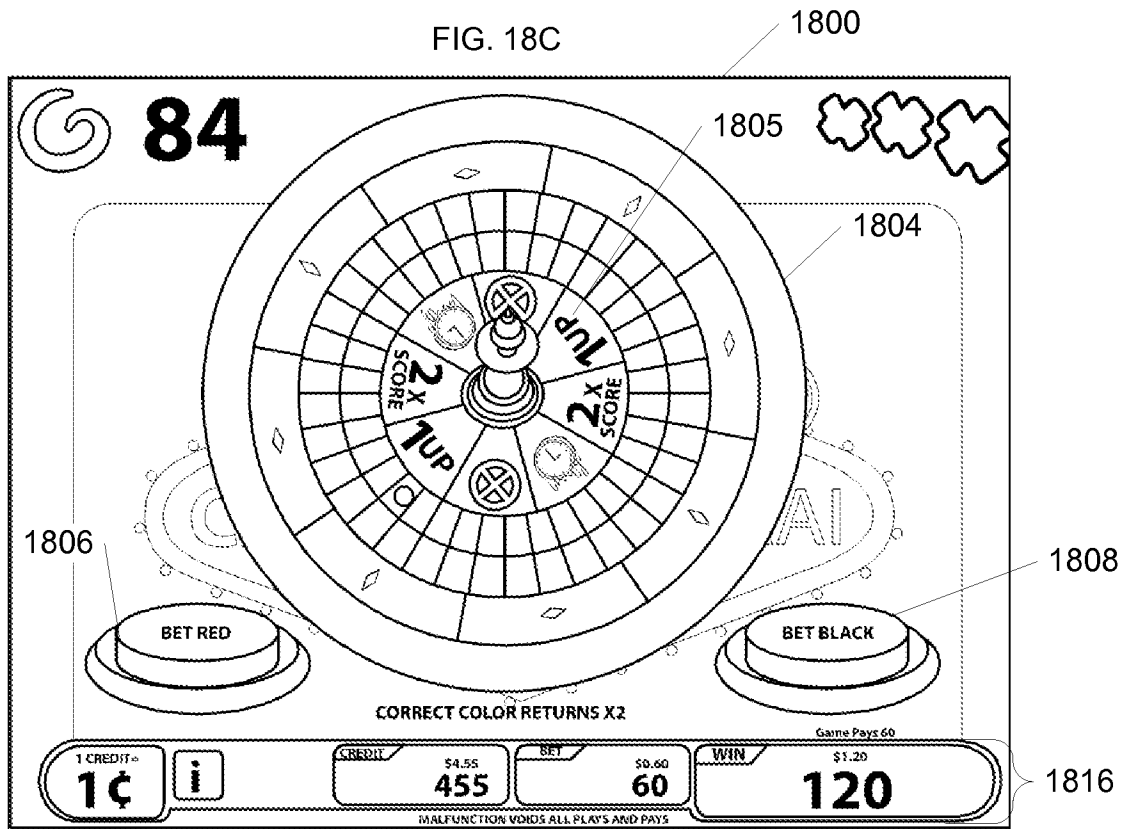


FIG. 18D

INTERNATIONAL SEARCH REPORT

International application No.

PCT/US 14/40093

A. CLASSIFICATION OF SUBJECT MATTER
 IPC(8) - A63F 13/00 (2014.01)
 CPC - G07F 17/32
 According to International Patent Classification (IPC) or to both national classification and IPC

B. FIELDS SEARCHED
 Minimum documentation searched (classification system followed by classification symbols)
 IPC (8) - A63F 13/00 (2014.01)
 CPC - G07F 17/32

Documentation searched other than minimum documentation to the extent that such documents are included in the fields searched
 CPC - G07F 17/3244; G07F 17/3267 (See Keywords Below)
 USPC - 463/25, 463/16, 463/16, 463/42, 463/20

Electronic data base consulted during the international search (name of data base and, where practicable, search terms used)
 Thomsoninnovation.com; Patbase; Google Scholar; Google Patents; Gogole.com; Freepatentsonline; ProQuest Dialog
 Search Terms: Games, wager, bet, gambling, lottery, entertainment, amusement, initial, first, stage, session, hybrid, payout, win, won, random, credit, skill, trigger, qualify, real, initiate, begin, start, slot machine, roulette, wheel,

C. DOCUMENTS CONSIDERED TO BE RELEVANT

Category*	Citation of document, with indication, where appropriate, of the relevant passages	Relevant to claim No.
Y	WO 2013/009972 A1 (ARNONE et al.), 17 January 2013 (17.01.2013), entire document, especially Abstract; para [0004], [0011], [0022], [0027], [0029], [0033]-[0034], [0062]-[0063]	1-21
Y	US 2007/0060334 A1 (ROWE), 15 March 2007 (15.03.2007), entire document, especially Abstract; para [0041]-[0043], [0074]-[0076]	1-21
Y	US 2009/0062008 A1 (KARMARKAR), 05 March 2009 (05.03.2009), entire document, especially Abstract; para [0011]-[0012], [0032], [0037], [0049]	5-6, 9, 15-16 and 19
A	US 2009/0325681 A1 (ENGLMAN et al.), 31 December 2009 (31.12.2009), entire document	1-21
A	US 2008/0113770 A1 (GELBER et al.), 15 May 2008 (15.05.2008), entire document	1-21

Further documents are listed in the continuation of Box C.

* Special categories of cited documents:

"A" document defining the general state of the art which is not considered to be of particular relevance	"T" later document published after the international filing date or priority date and not in conflict with the application but cited to understand the principle or theory underlying the invention
"E" earlier application or patent but published on or after the international filing date	"X" document of particular relevance; the claimed invention cannot be considered novel or cannot be considered to involve an inventive step when the document is taken alone
"L" document which may throw doubts on priority claim(s) or which is cited to establish the publication date of another citation or other special reason (as specified)	"Y" document of particular relevance; the claimed invention cannot be considered to involve an inventive step when the document is combined with one or more other such documents, such combination being obvious to a person skilled in the art
"O" document referring to an oral disclosure, use, exhibition or other means	"&" document member of the same patent family
"P" document published prior to the international filing date but later than the priority date claimed	

Date of the actual completion of the international search 06 September 2014 (06.09.2014)	Date of mailing of the international search report 03 OCT 2014
---	--

Name and mailing address of the ISA/US Mail Stop PCT, Attn: ISA/US, Commissioner for Patents P.O. Box 1450, Alexandria, Virginia 22313-1450 Facsimile No. 571-273-3201	Authorized officer: Lee W. Young PCT Helpdesk: 571-272-4300 PCT OSP: 571-272-7774
---	--