



US00D752709S

(12) **United States Design Patent**
Schurle

(10) **Patent No.:** **US D752,709 S**

(45) **Date of Patent:** **** Mar. 29, 2016**

(54) **SPRAY UNIT**

(71) Applicant: **Neoperl GmbH**, Mullheim (DE)

(72) Inventor: **Holger Schurle**, Mullheim (DE)

(73) Assignee: **Neoperl GmbH**, Müllheim (DE)

(**) Term: **14 Years**

(21) Appl. No.: **29/520,088**

(22) Filed: **Mar. 11, 2015**

Related U.S. Application Data

(62) Division of application No. 29/465,034, filed on Aug. 23, 2013, now Pat. No. Des. 728,070.

(30) **Foreign Application Priority Data**

Mar. 11, 2013 (EM) 002199901-0002

Mar. 11, 2013 (EM) 002199901-0003

Mar. 11, 2013 (EM) 002199901-0004

(51) **LOC (10) Cl.** **23-01**

(52) **U.S. Cl.**
USPC **D23/213**

(58) **Field of Classification Search**
USPC D23/213, 249; 239/428.5, 437;
261/DIG. 22; 366/276, 364-5

See application file for complete search history.

(56) **References Cited**

U.S. PATENT DOCUMENTS

6,126,093	A *	10/2000	Grether et al.	239/428.5
D550,816	S *	9/2007	Grether	D23/249
D550,818	S *	9/2007	Grether	D23/249
7,374,366	B2 *	5/2008	Tasi	405/79
D603,018	S	10/2009	Stein	
D605,732	S *	12/2009	Stein	D23/249
D612,911	S *	3/2010	Grether	D23/249
D622,355	S *	8/2010	Grether	D23/249
D641,071	S *	7/2011	Grether	D23/249
RE43,347	E *	5/2012	Grether	D23/249
D688,774	S *	8/2013	Tempel	D23/213
D692,526	S	10/2013	Stein et al.	
D695,878	S	12/2013	Stein et al.	
D697,175	S *	1/2014	Grether	D23/213

* cited by examiner

Primary Examiner — Robin V Webster

(74) *Attorney, Agent, or Firm* — Volpe and Koenig, P.C.

(57) **CLAIM**

The ornamental design for a spray unit, as shown and described.

DESCRIPTION

FIG. 1 is a top plan view of a spray unit in accordance with my design;

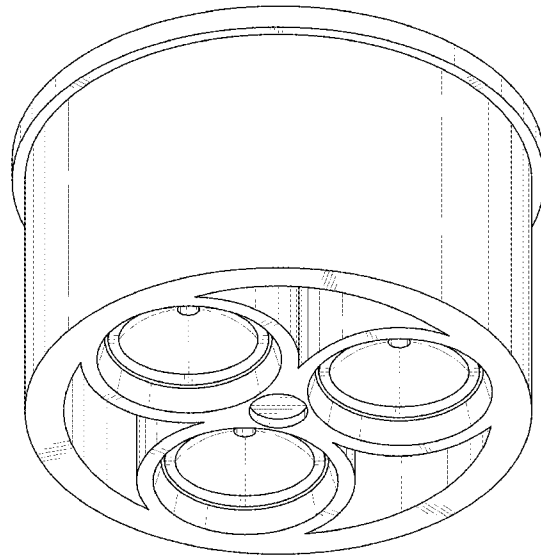
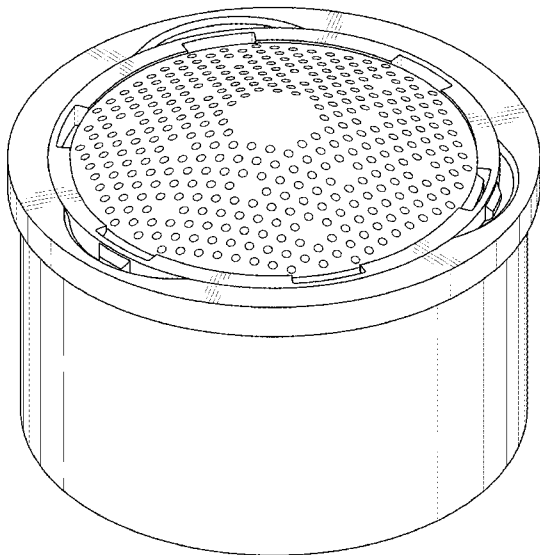
FIG. 2 is a top, front perspective view thereof;

FIG. 3 is a bottom view thereof;

FIG. 4 is a bottom, rear perspective view thereof; and,

FIG. 5 is an elevational view thereof.

1 Claim, 5 Drawing Sheets



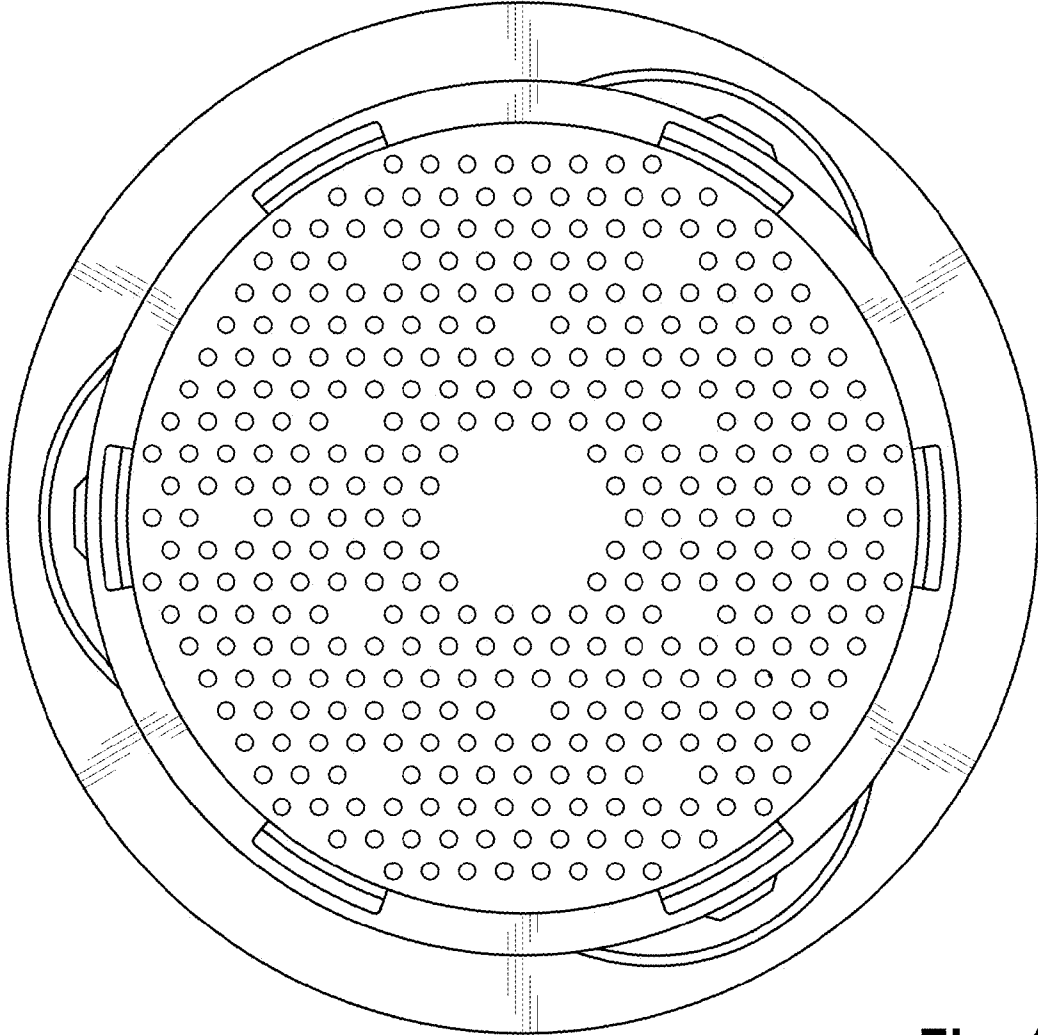


Fig. 1

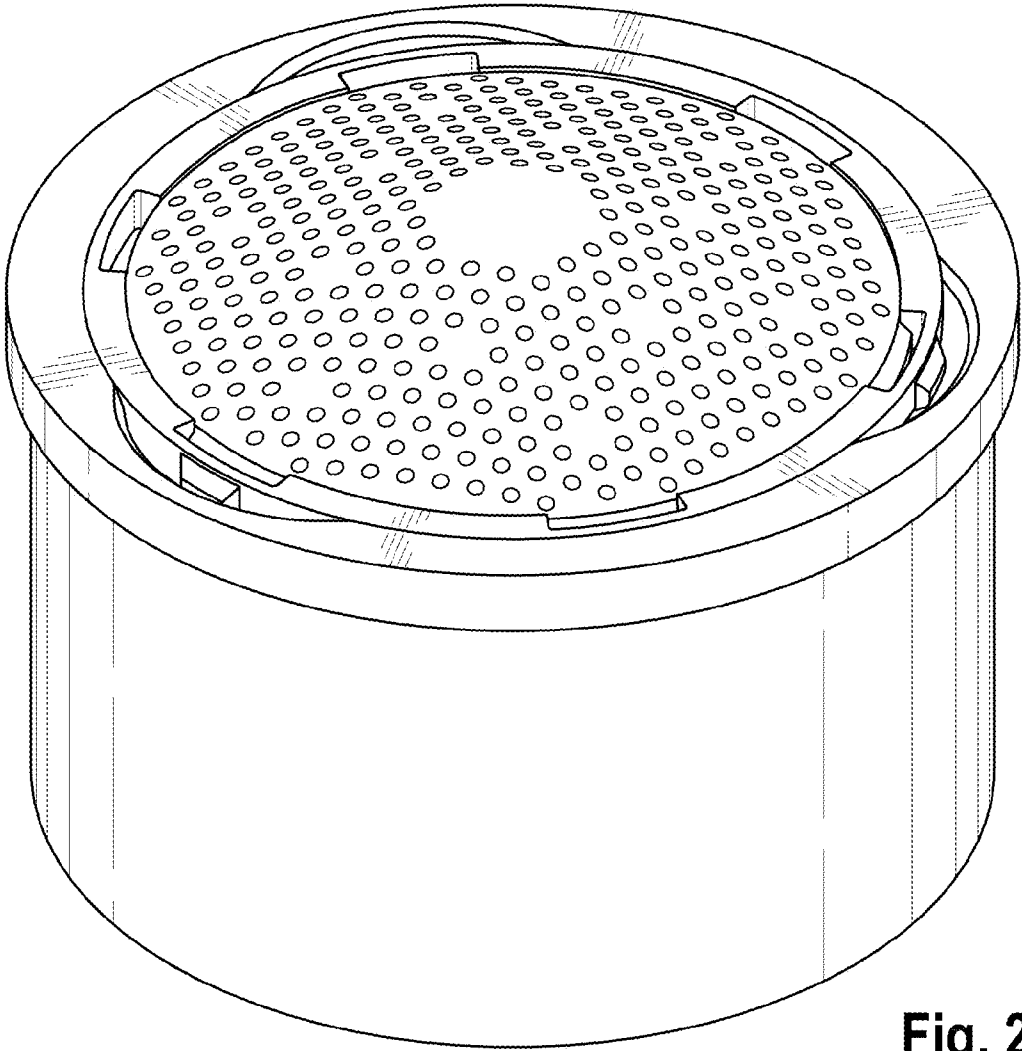


Fig. 2

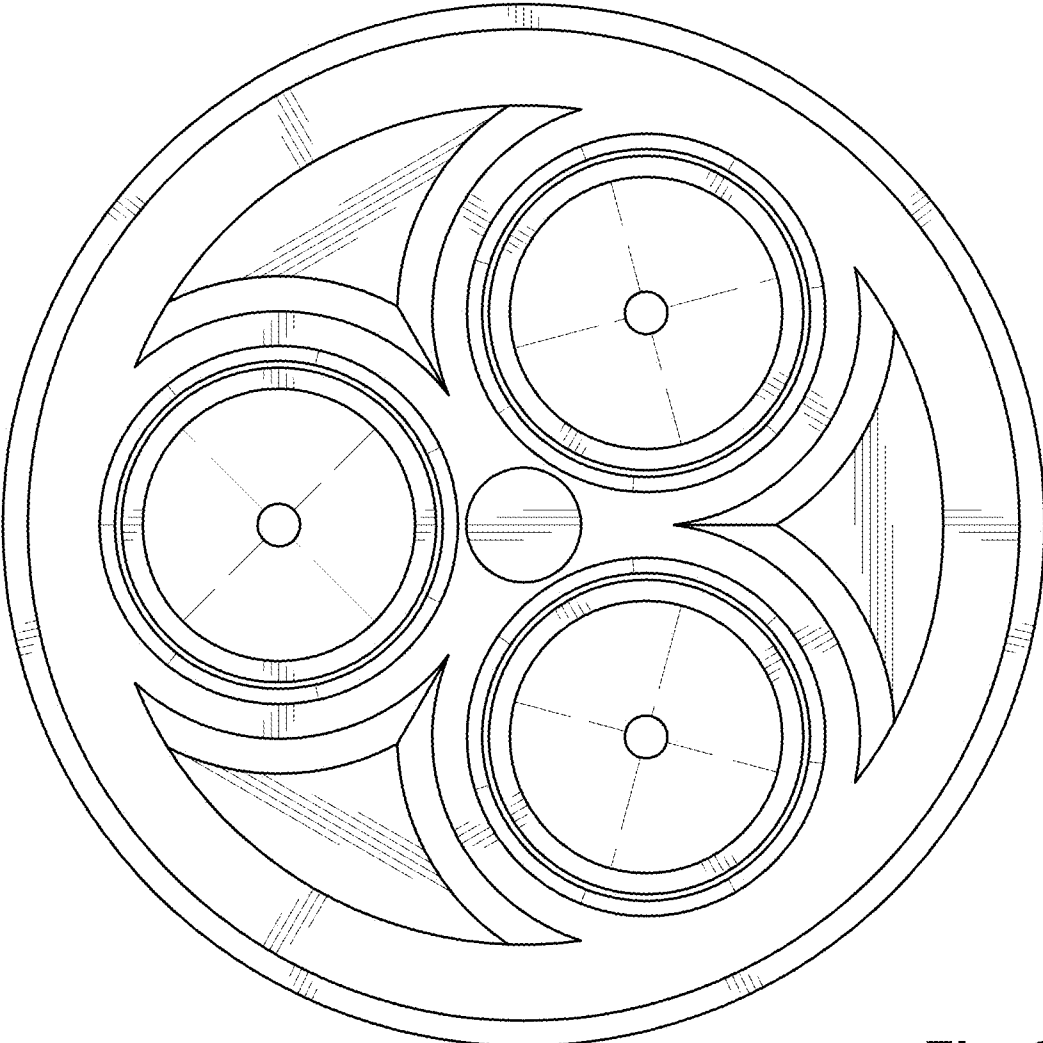


Fig. 3

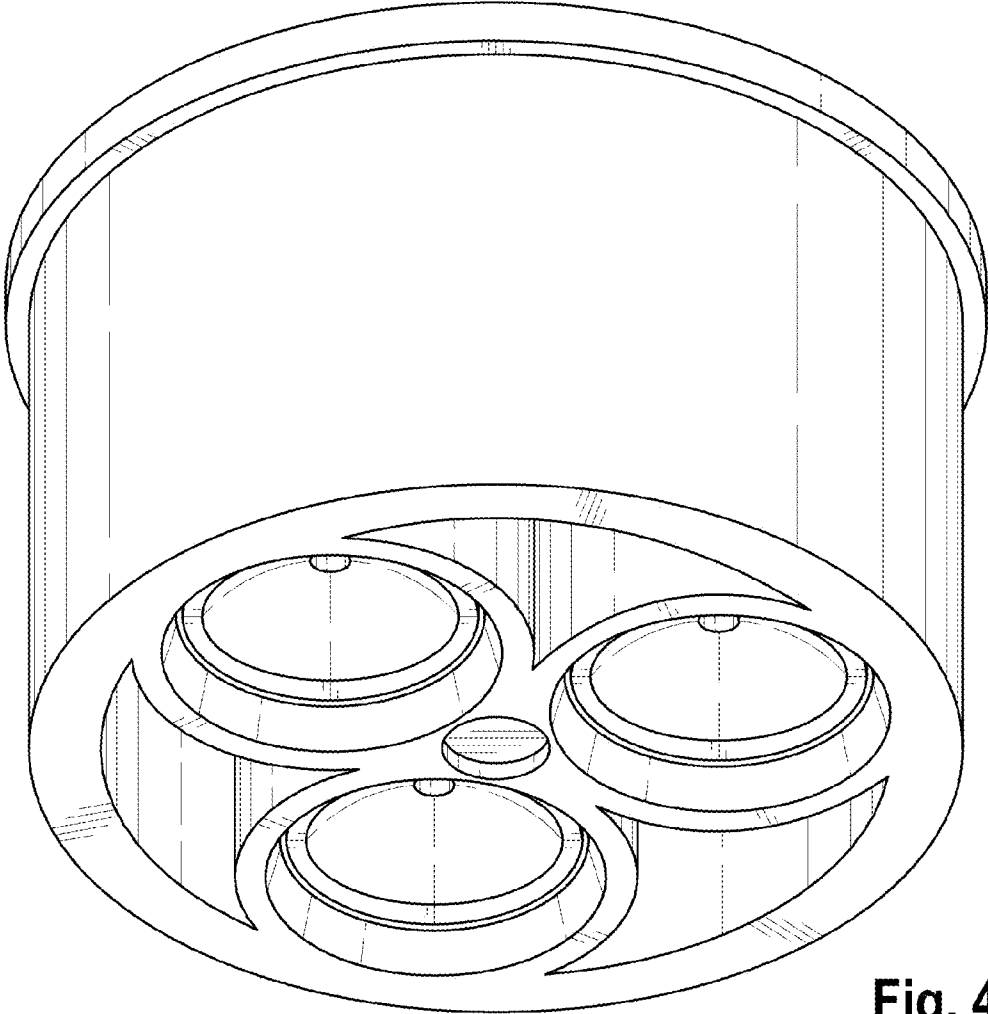


Fig. 4

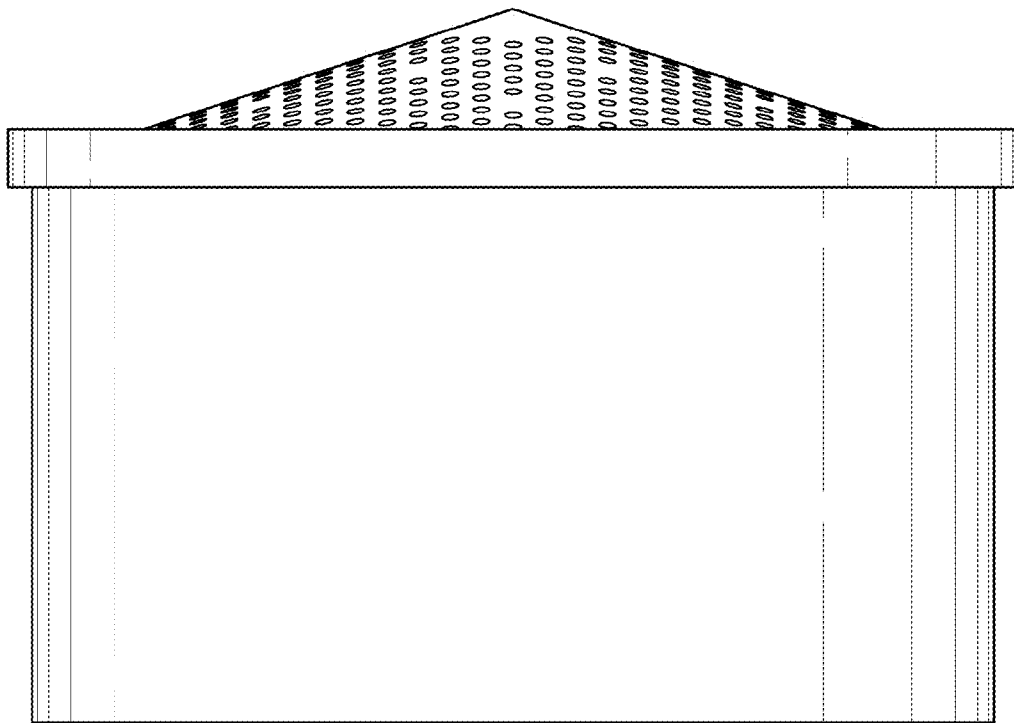


Fig. 5