

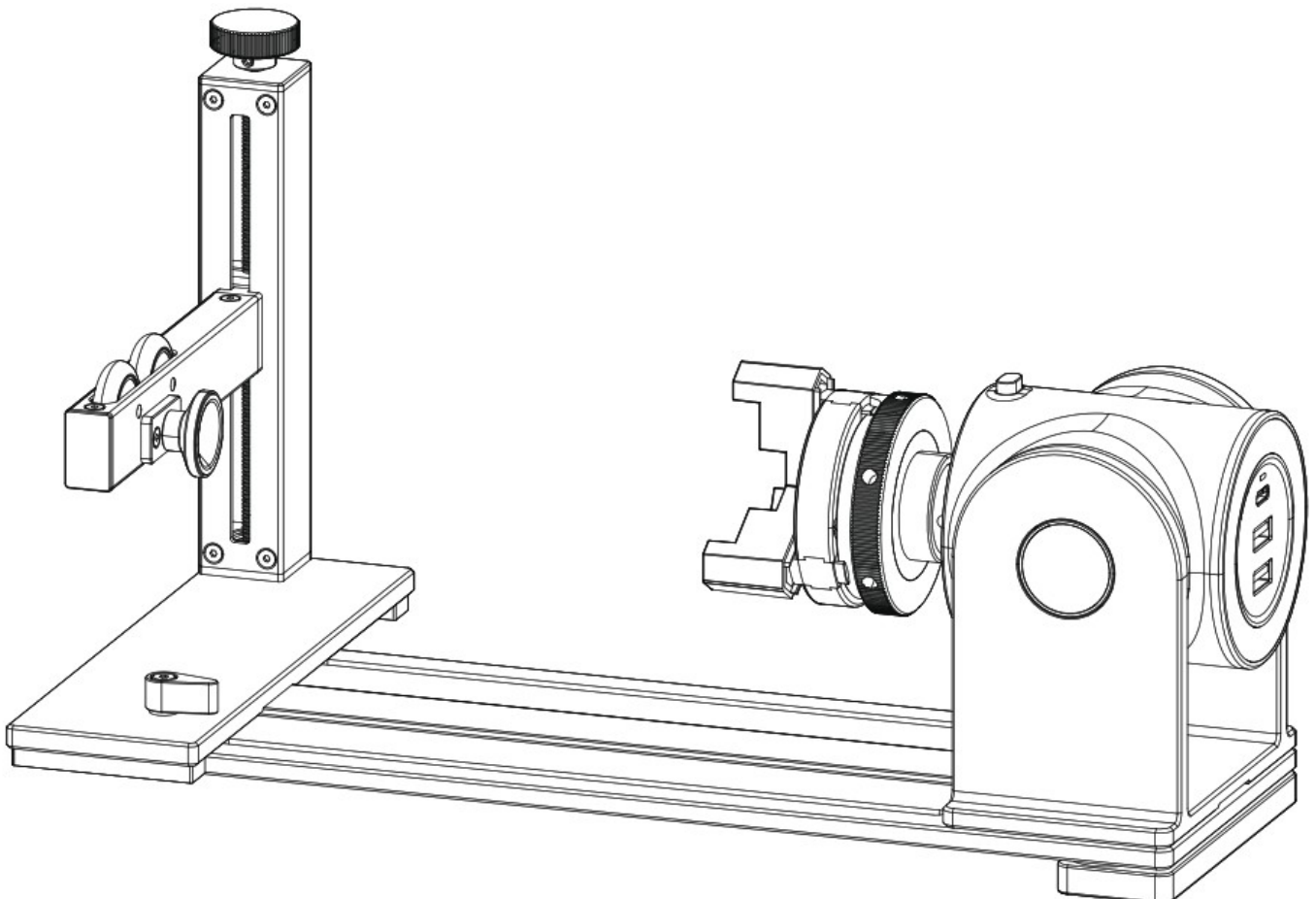
LaserPecker LP4 4 Rotary Extension User Manual

[Home](#) » [LASERPECKER](#) » LaserPecker LP4 4 Rotary Extension User Manual 



LaserPecker

LaserPecker 4 Rotary Extension
User Manual



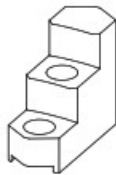
Contents

- 1 After-Sales Services
- 2 Online User Community
- 3 Component Overview & Descriptions
- 4 Quick Installation
- 5 Product Specification
- 6 Documents / Resources
 - 6.1 References
- 7 Related Posts

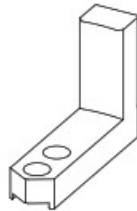
After-Sales Services

- Technical support for this product is available globally.
- Please contact us if you encounter any problem with your LP4 and we will get back to you as soon as possible.
- Email support@laserpecker.com
- Tel: +86 0755-28913864

Double-step
Jaw * 3



Single-step
Jaw * 3



Stud
Component * 3



Online User Community

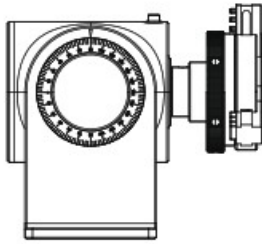
- LaserPecker's huge online global community connects our diverse group of dedicated users and offers support, inspiration, and a showcase for sharing creativity.
- Facebook : LaserPecker 4



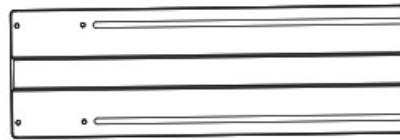
LaserPecker 4
VIP Group

<https://www.facebook.com/groups/laserpecker4>

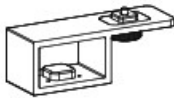
Rotary Headstock Head



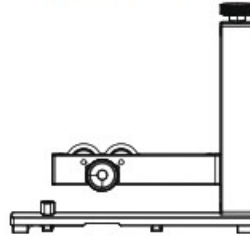
Rotary Headstock Baseplate



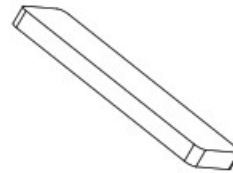
Riser Add-on*1



Support Module



Elevation Pad * 1



1m USB-C Cable *1



M3x6 Screw *6



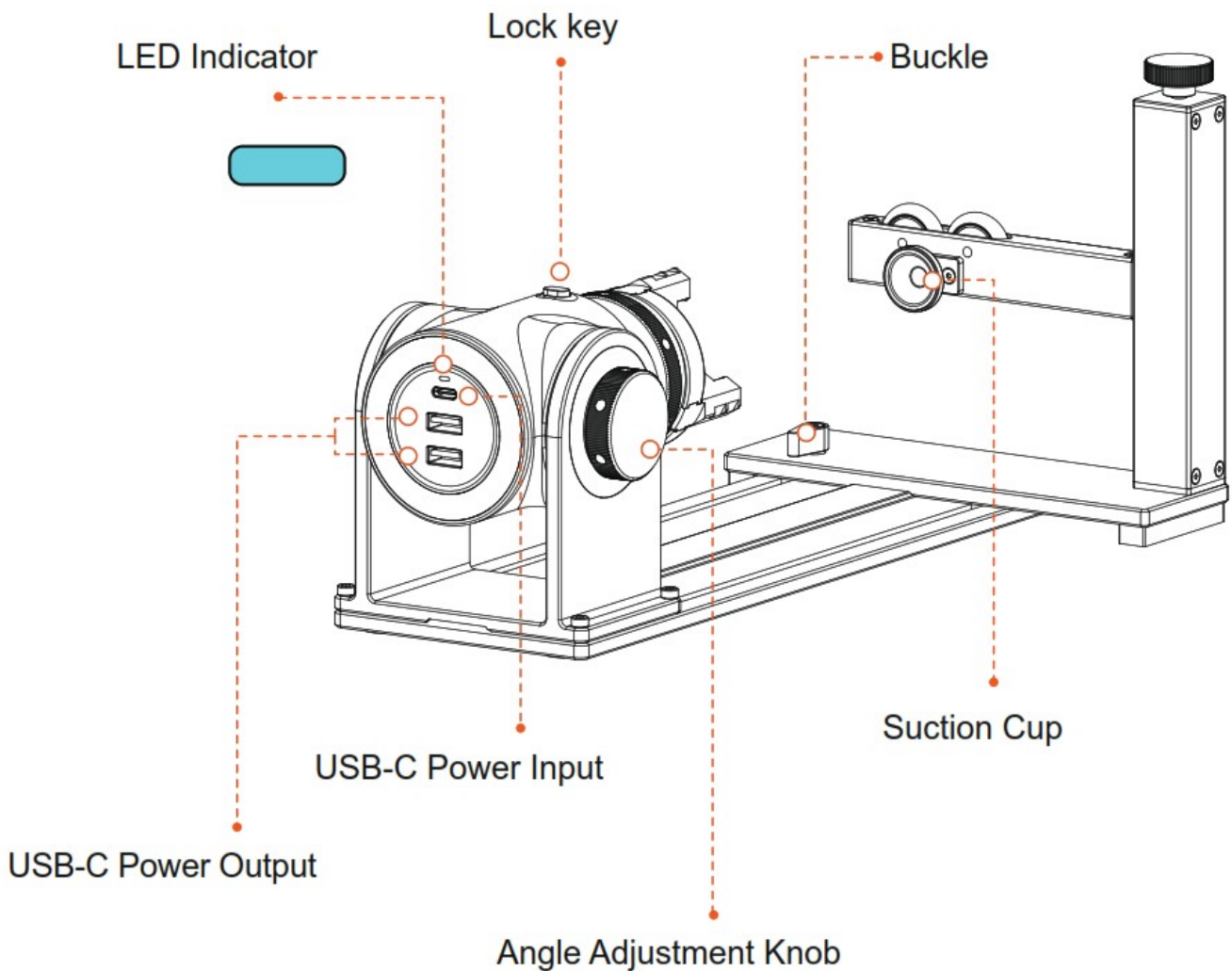
M3x10 Screw *4

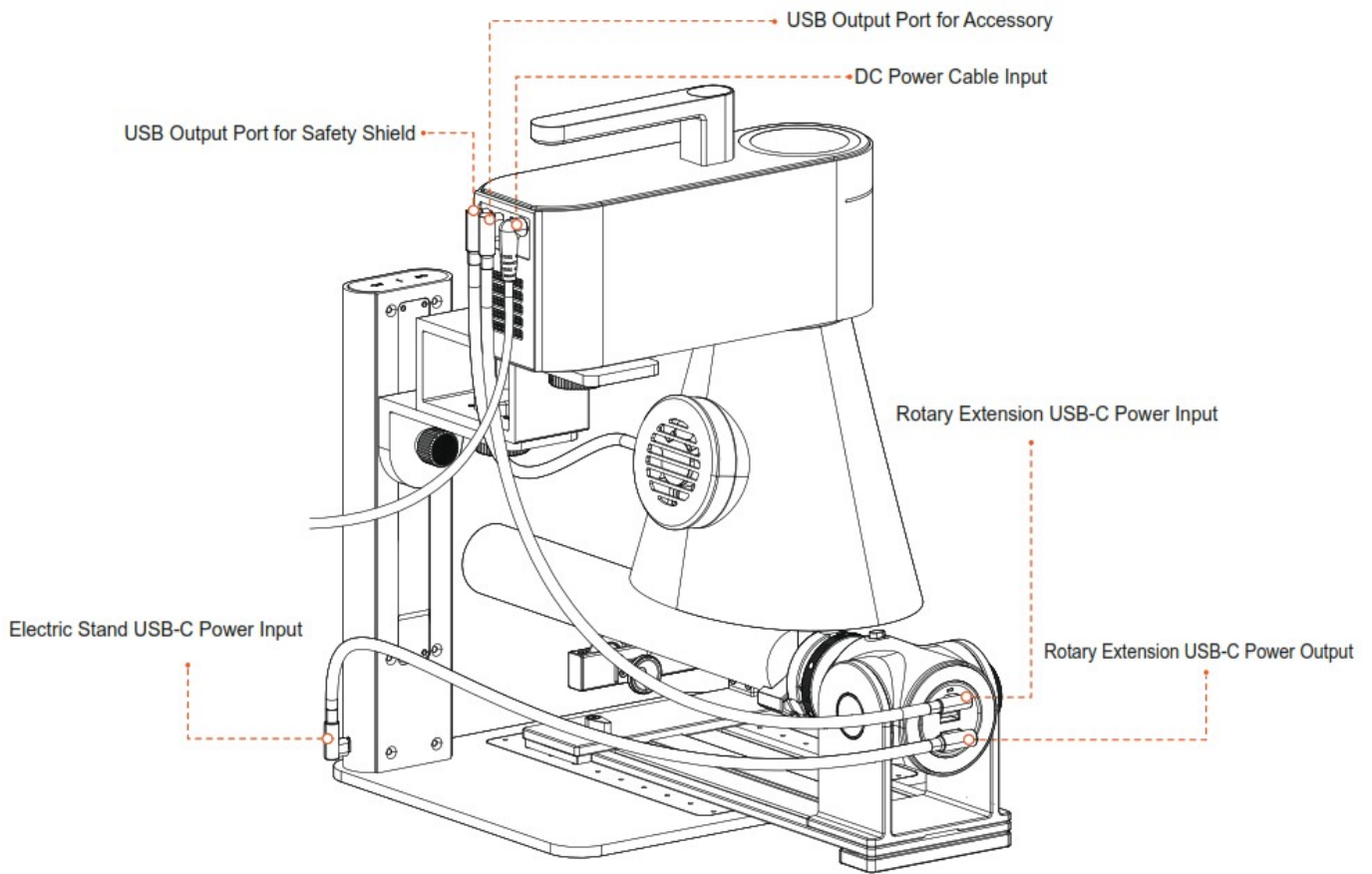


Hex Key



Component Overview & Descriptions



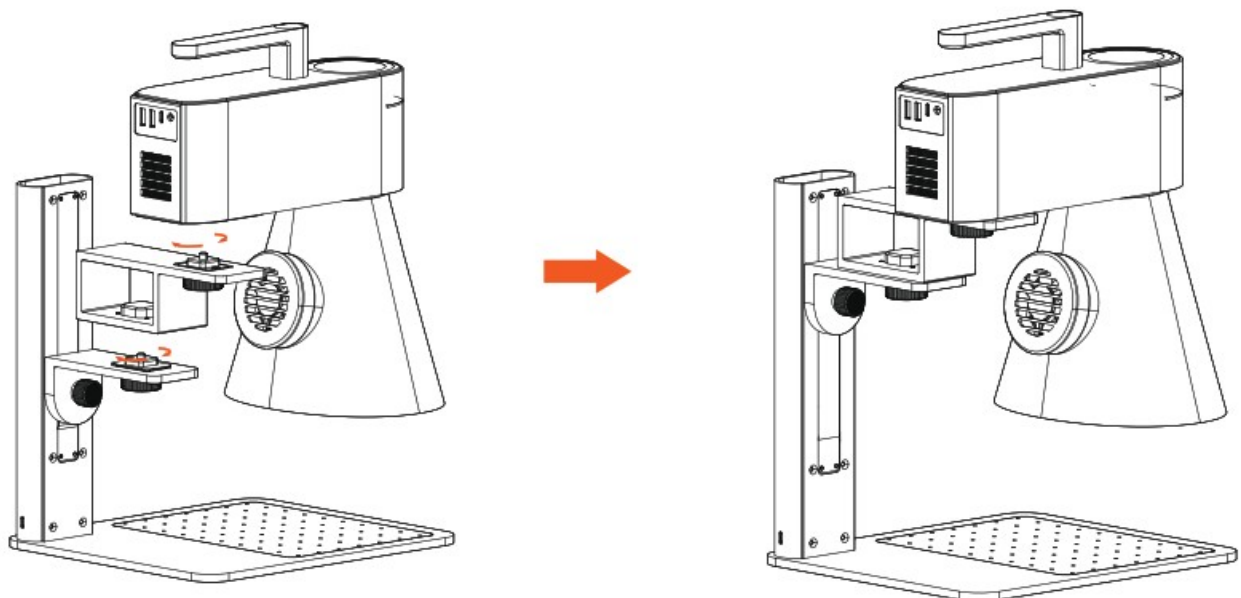


Quick Installation

1. Assemble the Riser Add-on

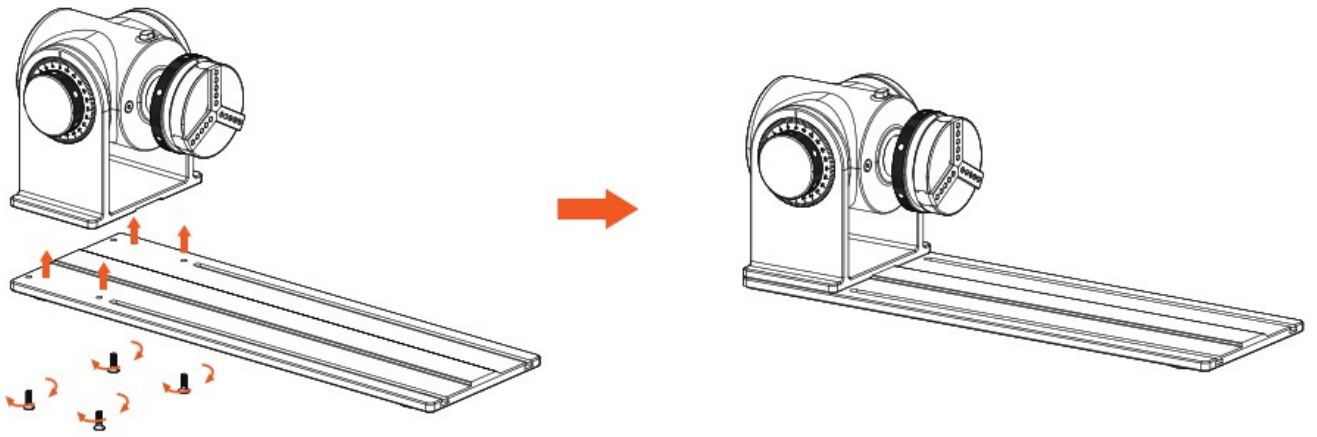
Tighten the two screws to assemble Riser Add-on between LP4 Laser Unit and Electric Stand.

*Make sure the Safety Shield is assembled before this step. For details, please refer to LP4 User Manual.



2. Assemble the Rotary Headstock

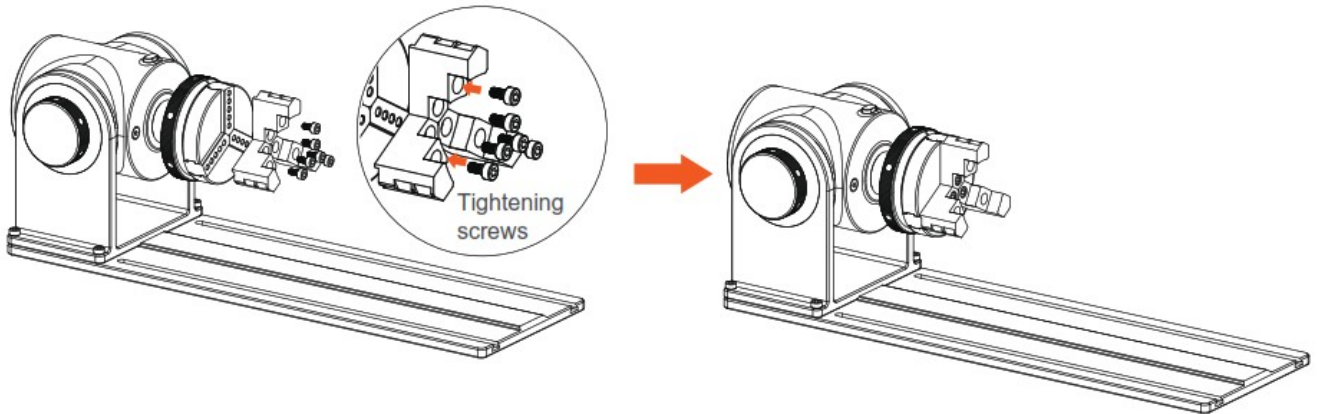
Attach Rotary Headstock Head to Headstock Baseplate with 4 pcs of M3x10 screws and the Hex Key.



3. Headstock Assembly

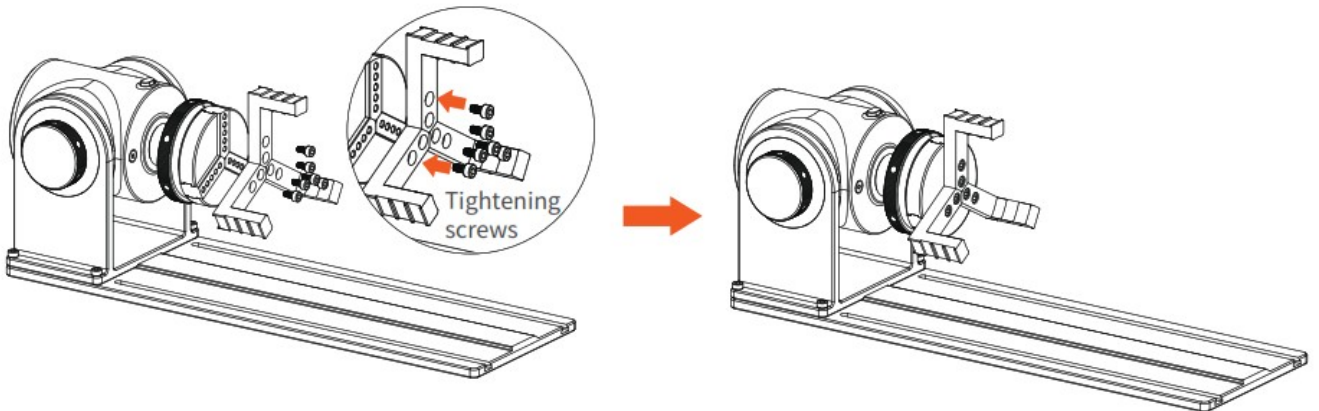
① Double-step Jaws Installation

Attach three double-step jaws to the rotary chuck using the wrench and 6 pcs of M3x6 screws.



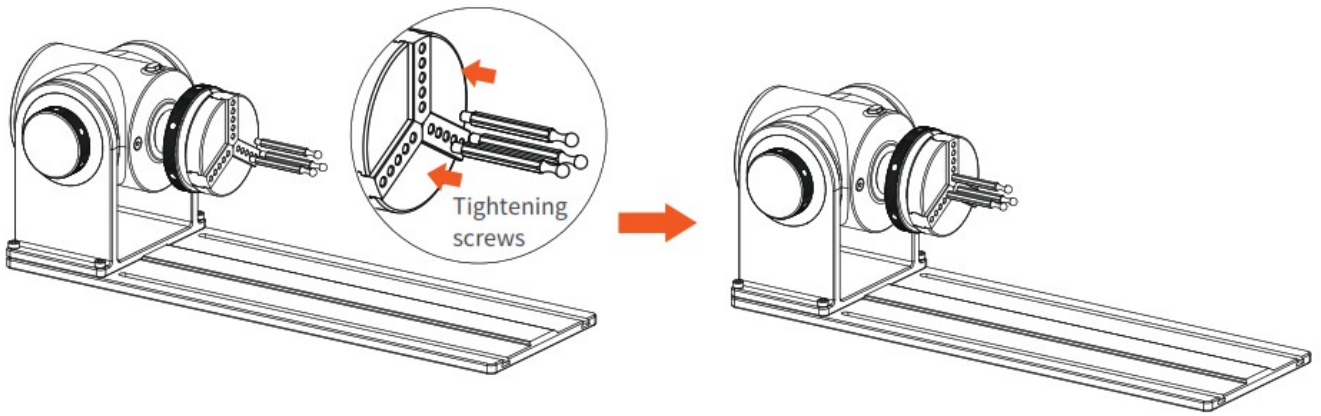
② Single-step Jaws Installation

Attach three single-step jaws to the rotary chuck using the wrench and 6 pcs of M3x6 screws.

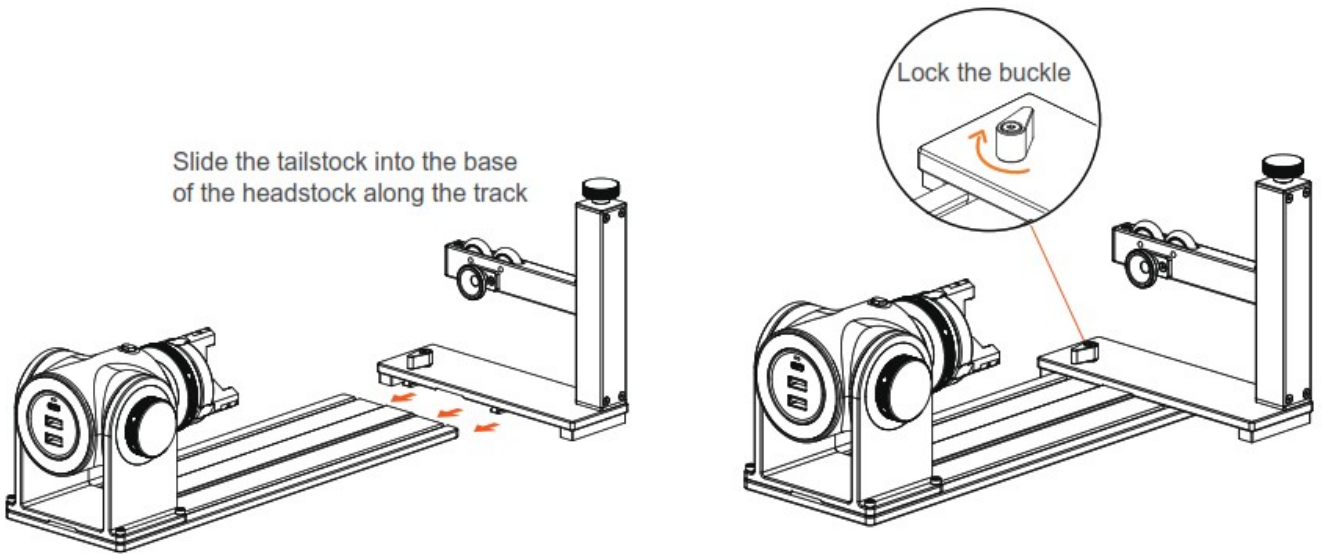


③ Stud Component Installation

Attach three stud components to the rotary chuck.

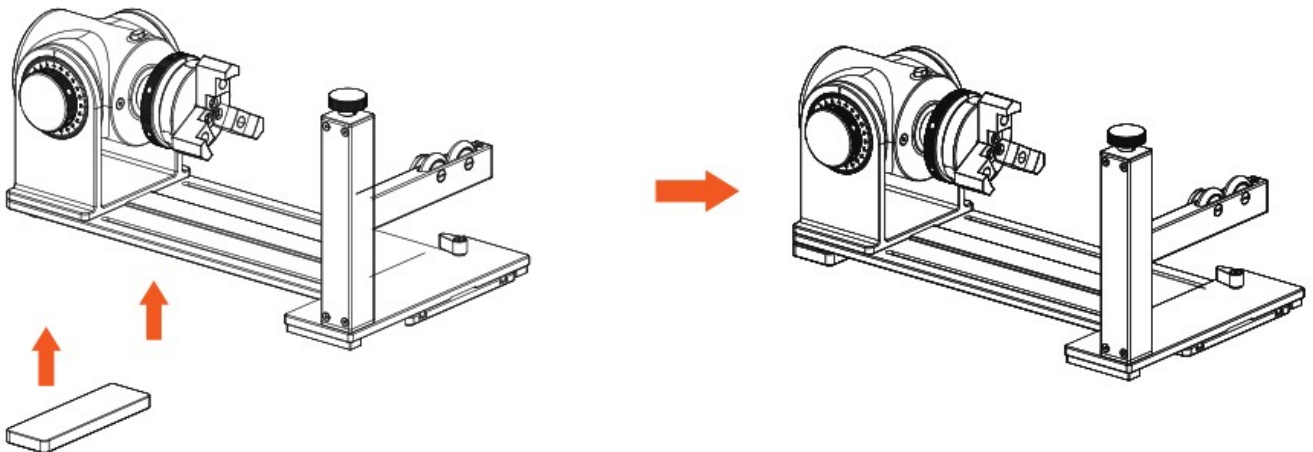


4. Rotary Extension Assembly



5. Stabilize the Rotary Extension

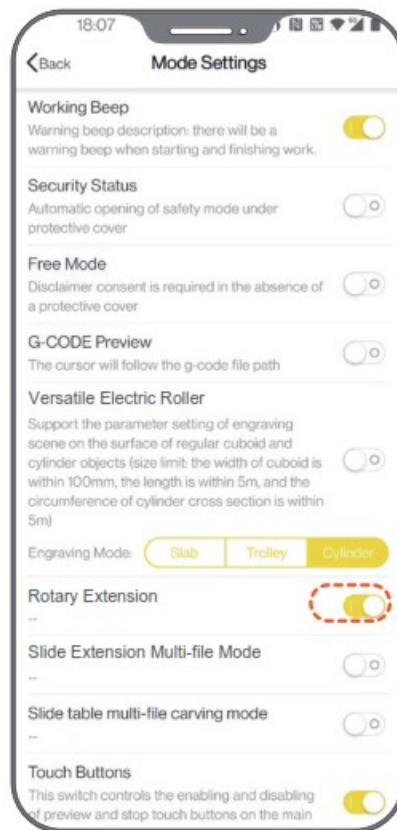
Put the Elevation Pad under the Rotary Headstock to make it more table.



Quick Start Guide

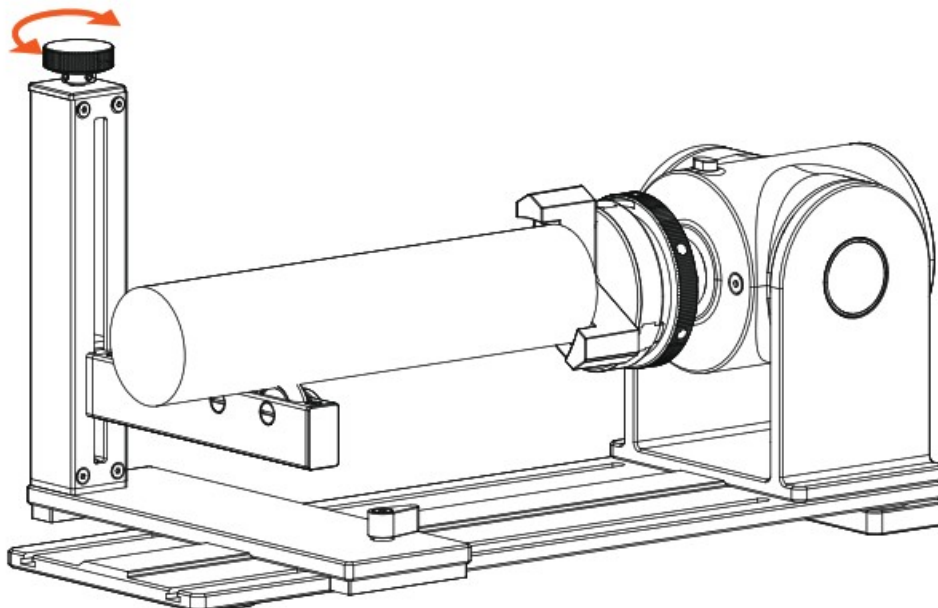
Turn on Mode Settings>Rotary Extension on the app, adjust the height and angle of the rotary. Choose an image, set its size and position, start previewing, set the engraving power and depth parameters, and start engraving.

1. Turn on the Rotary Extension button.

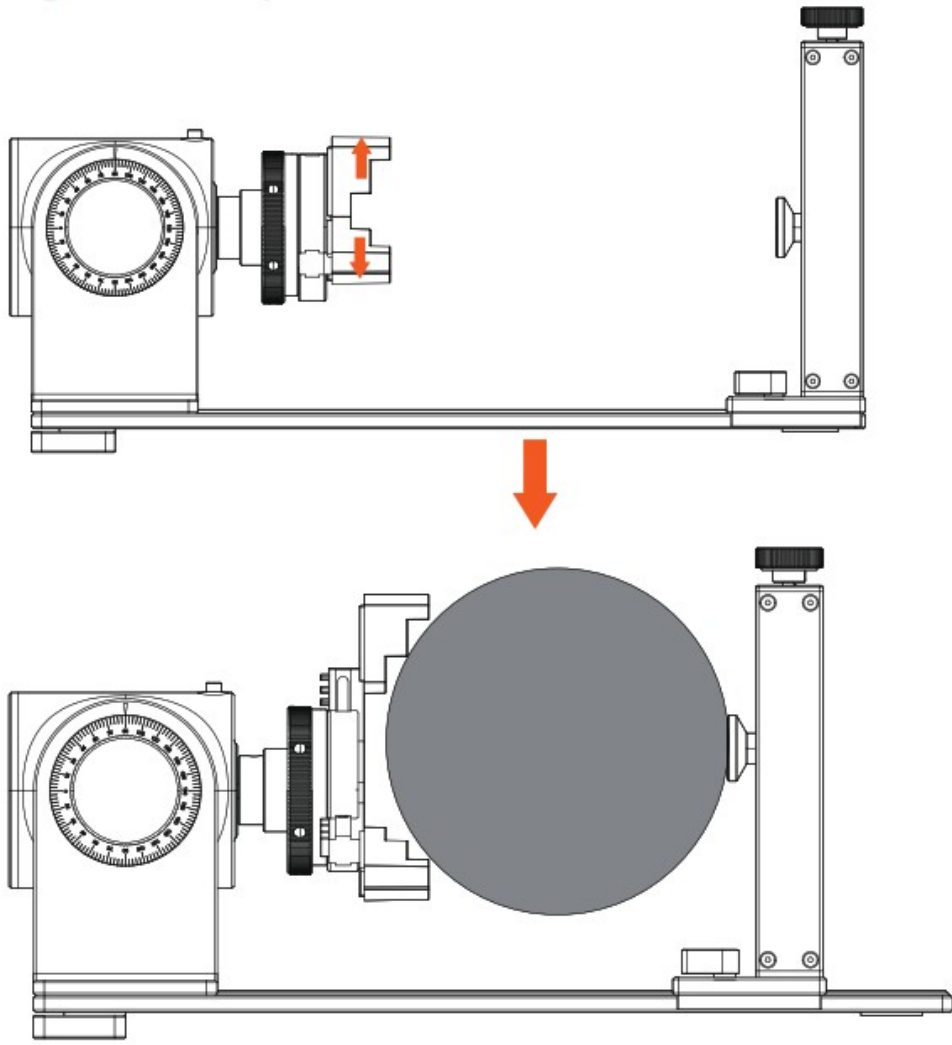


2. Turn the knob on the tailstock stand clockwise or counterclockwise to adjust height.

Turn the knob



3. When the diameter of the carved object/sphere is too large, turn the gear to adjust the opening of the chuck jaws




Product Specification

Size	308*108*99mm
Weight	1.7kg
Chuck diameter range	52mm-80mm
Engraving maximum diameter	200mm
Appearance	Anodic oxidation of aluminum alloy
Engraving diameter range (Double-step Jaw)	0mm-128mm
Engraving diameter range (Single-step Jaw)	66mm-145mm
Engraving diameter range (Stud Component)	13mm 78mm
Operating system	Support iOS 9.0+, Android 6.0+, MacOS 10+, Windows 10+
Power input	5V/1A
Precise control	0.014°
Idling movement speed	140.625 degrees/second
Fastest engraving speed	$V = 360/200/128/0.00012 = 117.1875$ degrees per second
Slowest engraving speed	$V = 360/200/128/0.00012 = 117.1875$ degrees per second

LaserPecker

Documents / Resources

	<p>LaserPecker LP4 4 Rotary Extension [pdf] User Manual LP4 4 Rotary Extension, LP4, 4 Rotary Extension, Rotary Extension, Extension</p>
---	---

References

- [User Manual](#)

[Manuals+](#), [Privacy Policy](#)

This website is an independent publication and is neither affiliated with nor endorsed by any of the trademark owners. The "Bluetooth®" word mark and logos are registered trademarks owned by Bluetooth SIG, Inc. The "Wi-Fi®" word mark and logos are registered trademarks owned by the Wi-Fi Alliance. Any use of these marks on this website does not imply any affiliation with or endorsement.