



Itian F16S 3 In 1 Wireless Charger User Guide

[Home](#) » [Itian](#) » Itian F16S 3 In 1 Wireless Charger User Guide 

Contents

- [1 Itian F16S 3 In 1 Wireless Charger](#)
- [2 Product Information](#)
- [3 Specifications](#)
- [4 Product Description](#)
- [5 LED Indicator Light](#)
- [6 Case usage](#)
- [7 Product Usage Instructions](#)
- [8 FCC Requirement](#)
- [9 FAQ \(Frequently Asked Questions\)](#)
- [10 Documents / Resources](#)
 - [10.1 References](#)
- [11 Related Posts](#)

Itian

Itian F16S 3 In 1 Wireless Charger



Product Information

Thank you for purchasing and using this product!
Please read this operation instruction carefully before using this product.

Specifications

- **Compliance:** FCC radiation exposure limits for an uncontrolled environment
- **Minimum Distance:** 20 cm between the radiator and the body
- **Operating Conditions:** Not to be co-located or operating with any other antenna or transmitter

3 in 1 Wireless Charger

- **Input:** 5V=2A/9V==2A
- **Cell Phone Output:** 15W (Max)
- **Galaxy Watch Output:** 3W
- **Galaxy Buds Output:** 5W

Applicable Devices

Cell Phone	Galaxy Fold / Filp / S / NOTE Series
Galaxy Buds	Galaxy Buds2 / Galaxy Buds2 Pro Galaxy Buds Live
Galaxy Watch	Galaxy Watch 6 / 5 / 4 / 3 Series Galaxy Watch Active 1 / 2

The list is of known existing models and will be compatible with subsequent new models.

- The LED light turns blue flashing during wireless charging to indicate a charging failure.

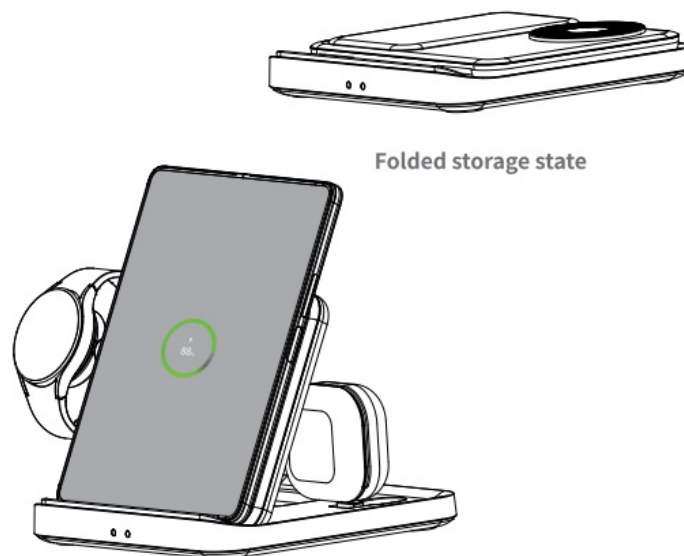
The following situation can cause failures, like charging slowly, stop charging, over-temperature for charging position.

1. The adapter is not run up to standard.
2. The charging cable is not up to standard.
3. The phone case is too thick (within 3mm thickness phone case recommended).
4. The built-in wireless charging receiver position is not coincided with wireless charger coil position.
5. There is metal/magnet on the back of cell phone or phone case.
6. Smartphone does not support wireless charging function.

Attention

1. Please keep the charger away from water or other liquid.
2. If you need to clean the charger, please make sure it is not connected to power supply.
3. **Operating temperature:** -20-45°C.

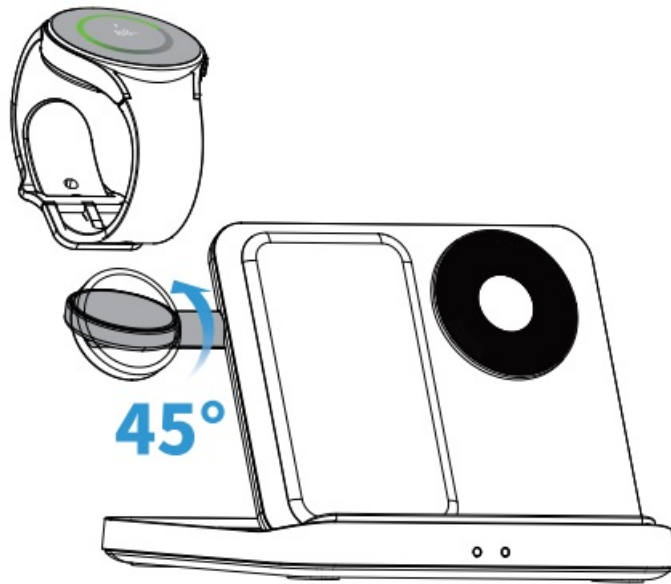
Product Description



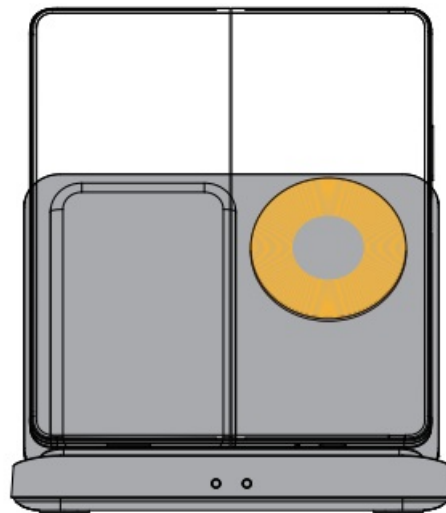
1. This wireless charger can support to charge Samsung Galaxy Fold series cell phones, earbuds, smartwatch simultaneously, which is three-in-one form of the wireless charging station.
2. It can also charge Samsung S/Flip series cell phones wirelessly.
3. The spindle is folded design, easy to carry on the go.
4. The smart watch charger can be rotated for angle adjustment.

Watch Charging Angle Adjustment

Rotate the support bar backward when charging the watch.



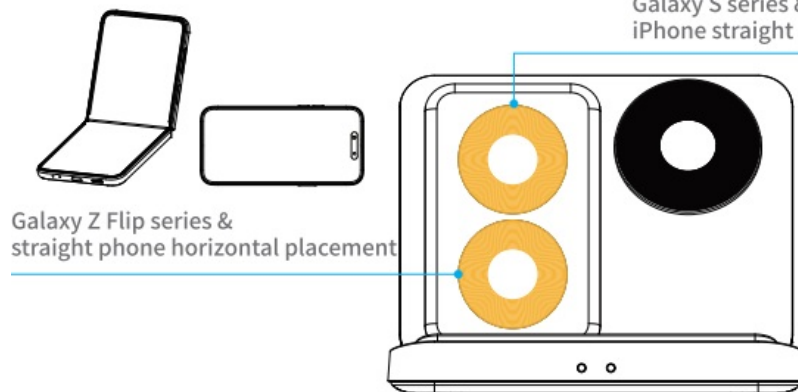
Cell Phone Placement



Galaxy Z Fold series vertical placement



Galaxy S series & iPhone straight phone vertical placement



Galaxy Z Flip series & straight phone horizontal placement

Input

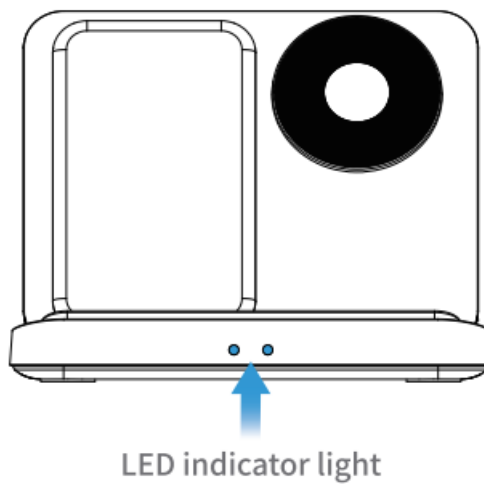
Connect the wireless charger and adapter with the charging cable.



Please use a 20W PD/QC3.0 adapter so that the charging will enter the fast charging mode.

LED Indicator Light

- **White LED:** Standby.
- **Blue LED light:** Normal charging.
- **White LED light flashing:** Abnormal charging.

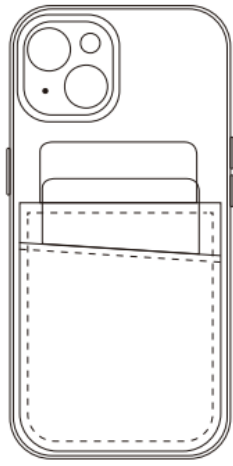


Case usage

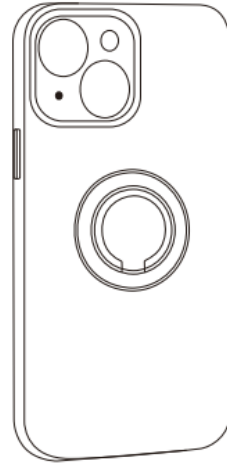
Please choose the following cases:

1. Case thickness. $\leq 3\text{mm}$
2. Case cannot have metal, credit cards, or rings.

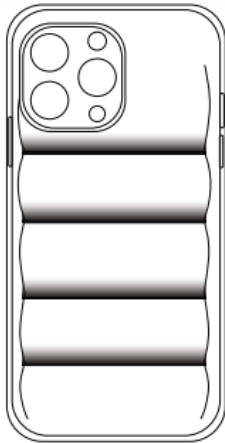
The following protections can cause abnormal charging:



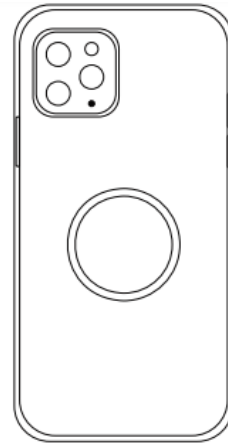
✘ Credit cards



✘ Rings



✘ Thick case >3mm



✘ Metal

Product Usage Instructions

Reorient or Relocate the Receiving Antenna

To ensure optimal performance, it is recommended to reorient or relocate the receiving antenna. This can be done by adjusting the position or direction of the antenna. Experiment with different positions until you achieve a strong and clear signal.

Increase Separation between Equipment and Receiver

To minimize interference, it is advisable to increase the separation between the equipment and the receiver. This can be achieved by moving the equipment further away from the receiver or placing them in separate locations.

Connect Equipment to a Different Circuit

To prevent electrical interference, connect the equipment into an outlet on a circuit different from the one to which the receiver is connected. This helps in avoiding any potential power fluctuations or electrical noise that may affect the performance of the equipment.

Consult a Professional

If you encounter any difficulties or require further assistance, it is recommended to consult the dealer or an experienced radio/TV technician. They will be able to provide expert advice and support to resolve any issues you may be facing.

FCC Requirement

Any changes or modifications not expressly approved by the party responsible for compliance could void the user's authority to operate the equipment. This device complies with Part 15 of the FCC Rules.

Operation is subject to the following two conditions:

1. this device may not cause harmful interference, and
2. this device must accept any interference received, including interference that may cause undesired operation.

Note: This equipment has been tested and found to comply with the limits for a Class B digital device, pursuant to Part 15 of the FCC Rules.

These limits are designed to provide reasonable protection against harmful interference in a residential installation. This equipment generates, uses, and can radiate radio frequency energy, and if not installed and used in accordance with the instructions, may cause harmful interference to radio communications. However, there is no guarantee that interference will not occur in a particular installation. If this equipment does cause harmful interference to radio or television reception, which can be determined by turning the equipment off and on, the user is encouraged to try to correct the interference by one or more of the following measures:

- Reorient or relocate the receiving antenna.
- Increase the separation between the equipment and receiver.
- Connect the equipment into an outlet on a circuit different from that to which the receiver is connected.
- Consult the dealer or an experienced radio/TV technician for help.

This equipment complies with FCC radiation exposure limits set forth for an uncontrolled environment. This equipment should be installed and operated with a minimum distance of 20cm between the radiator & your body. This transmitter must not be co-located or operating in conjunction with any other antenna or transmitter.

FAQ (Frequently Asked Questions)

1. Q: What are the FCC radiation exposure limits?

A: The FCC (Federal Communications Commission) sets radiation exposure limits to ensure safety. These limits define the maximum amount of radiation allowed for electronic devices to be used in an uncontrolled environment.

2. Q: How much distance should be maintained between the radiator and the body?

A: It is recommended to maintain a minimum distance of 20 cm between the radiator and your body. This helps in reducing potential health risks associated with radiation exposure.

3. Q: Can this transmitter be used with other antennas or transmitters?

A: No, this transmitter must not be co-located or operated in conjunction with any other antenna or transmitter. Doing so may cause interference and affect the performance of both devices.

MADE IN CHINA



[Itian F16S 3 In 1 Wireless Charger](#) [pdf] User Guide
F16S, F16GF16A, F16S 3 In 1 Wireless Charger, 3 In 1 Wireless Charger, Wireless Charger, C
harger

References

- [User Manual](#)