



GROW 62066 Outdoor Furniture Instruction Manual

[Home](#) » [GROW](#) » GROW 62066 Outdoor Furniture Instruction Manual 

Contents

- [1 GROW 62066 Outdoor Furniture](#)
- [2 Product Usage Instructions](#)
- [3 Package Content](#)
- [4 Using Instructions](#)
- [5 Care Instructions](#)
- [6 Documents / Resources](#)

GROW

GROW 62066 Outdoor Furniture



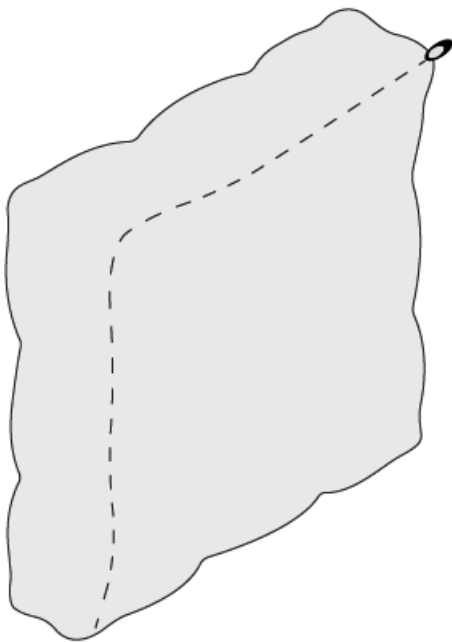
GROW Outdoor Furniture is designed to provide long-lasting comfort and style for your outdoor space. To ensure the longevity of your furniture, we recommend using the GROW Protection Covers (sold separately). These covers are breathable and water repellent, offering excellent protection against the elements.

Product Usage Instructions

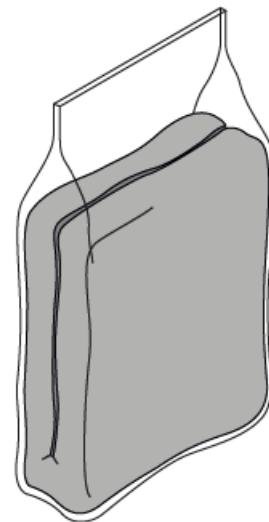
1. Open the zipper and remove the compressed inner cushion. The inner cushion is compressed for shipping purposes.
2. Carefully open the compressed inner cushion at the flat end of the film, making sure not to cut into the inner bag. The cushion will immediately expand upon opening.
3. Remove the expanded inner cushion from the packaging.
4. Remove the outer cover of the furniture and open all zips.
5. Place the inner cushion on the floor and beat the large area of the cushion with your hand from the center outwards for 20 seconds at a time. This helps distribute the filling evenly.
6. Repeat the beating process on all sides to ensure the corners are well filled and a homogeneous surface is created.
7. Slide the inner cushion into the chamber of the seat surface.
8. Close the zip to secure the inner cushion in place.
9. Close all zips on the outer cover.
10. Place the sofa module in an upright position and allow it to rest for 48 hours. This resting period is necessary for the cushion to achieve its final hardness.

For additional visual instructions, you can scan the QR-Code provided to access the GROW Mounting Video on our website. For more information and support, visit our website at blomus.com.

Package Content

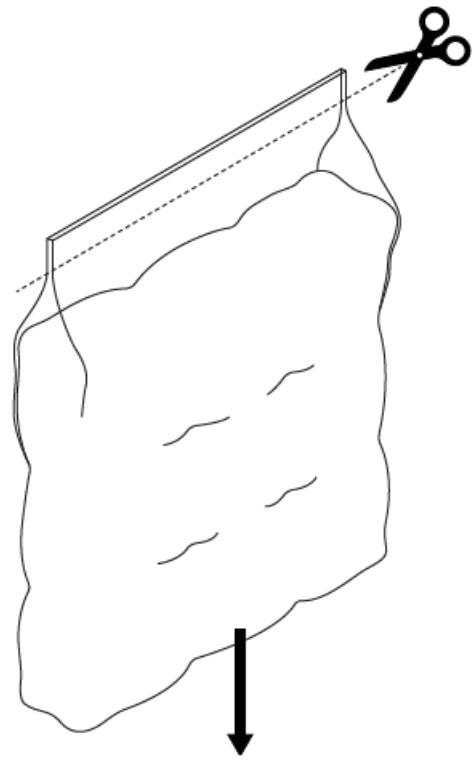
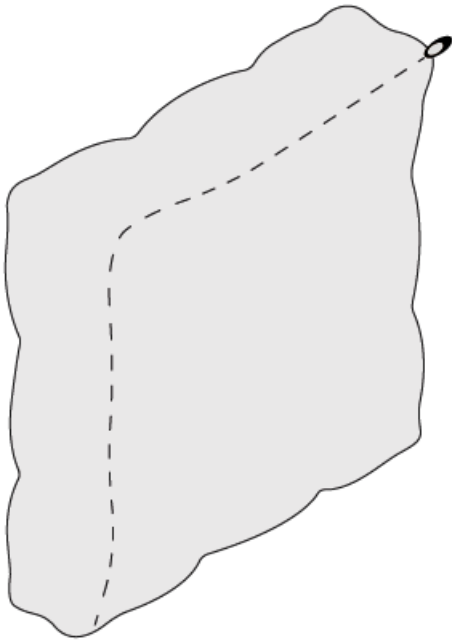


1 x

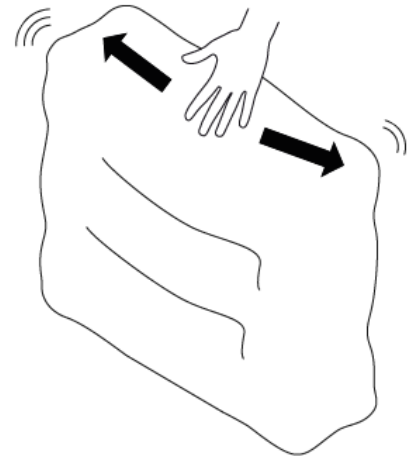
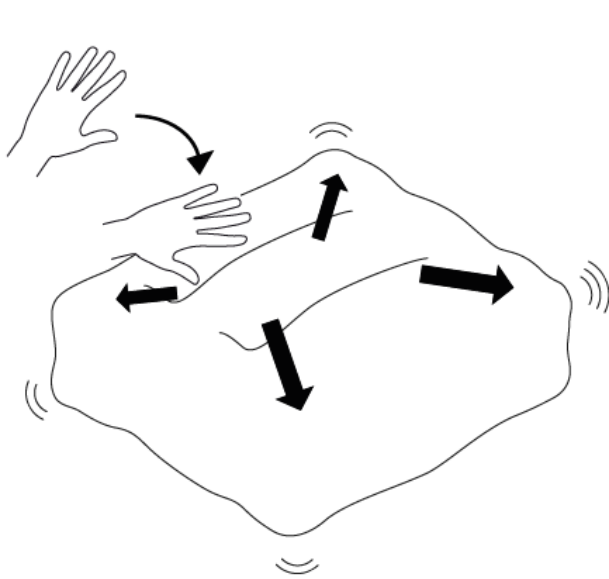


1 x

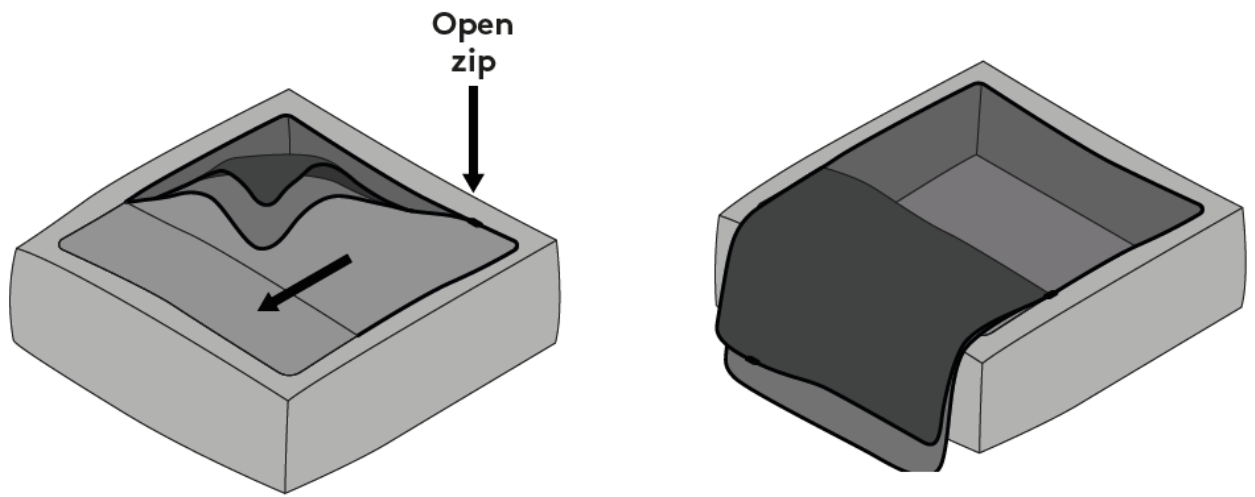
Using Instructions



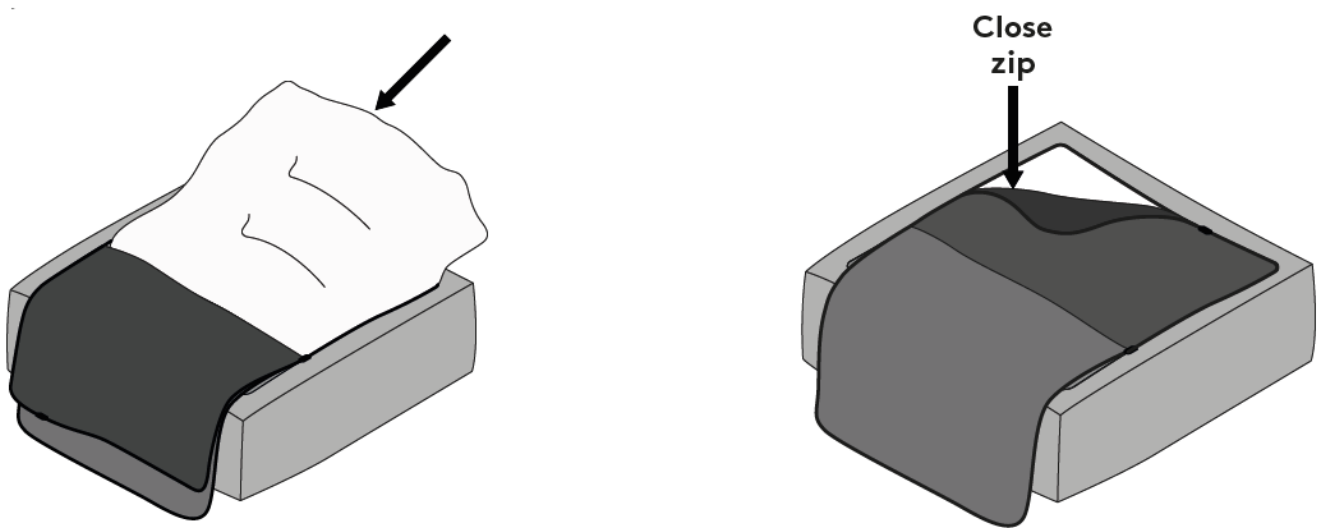
1. Open the zipper and remove the compressed inner cushion.
2. Open the compressed inner cushion at the flat end of the film. Be careful not to cut into the inner bag. The inner cushion will expand immediately. Remove the inner cushion.



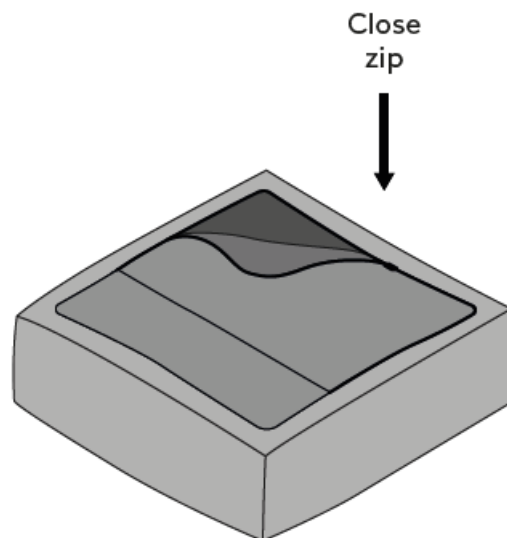
3. Place the inner cushion on the floor. Beat the large area of the inner cushion with your hand from the centre outwards for 20 seconds at a time.
 4. Repeat the process on all sides so that the corners are well filled and a largely homogeneous surface has been created.
- **Recommendation:** Put the inner cushions into the outer cover after approx. 1 hour.



5. Remove the outer cover and open all zips.
6. The chamber to be filled inside the outer cover is now clearly visible.

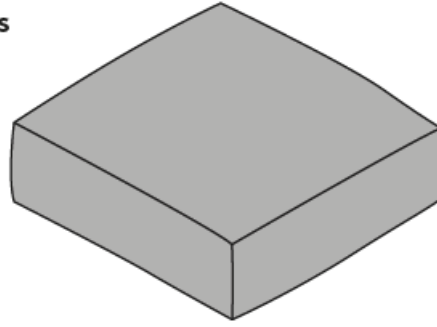


7. Slide the inner cushion into the chamber of the seat surface.
8. Close the chamber.



9. Close the bottom of the sofa module.

Wait
48 hours



10. Place the sofa module in an upright position and allow it to rest for 48 hours. Only then is the final hardness achieved.

Care Instructions

- Simply rub off loose dust.
- Remove stains with a damp cloth with cold or lukewarm water, not warmer than 38°C (100 F).
- We recommend using a soft cloth for cleaning.
- Damp spots should be removed / dried with a dry cloth.
- Only dry the GROW seaters outside in the air. Never use excessive heat on the fabric.

GROW Protection Cover (not included in delivery / available separately)

- To make sure you can enjoy your GROW Outdoor furniture for a long time, we recommend you protect them with our GROW Protection Covers. They are breathable and water repellent.

Do you prefer to watch a video?

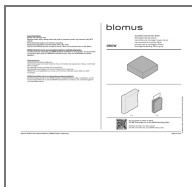
The QR-Code leads you to the GROW Mounting Video.



blomus GmbH

- Zur Hubertushalle 4 | 59846 Sundern | Germany
- [blomus.com](https://www.blomus.com)

Documents / Resources



GROW 62066 Outdoor Furniture [pdf] Instruction Manual
62066 Outdoor Furniture, 62066, Outdoor Furniture, Furniture

Manuals+