

COLAMY 290 Big and Tall Office Chair User Manual

[Home](#) » [COLAMY](#) » COLAMY 290 Big and Tall Office Chair User Manual 

Contents

- 1 COLAMY 290 Big and Tall Office Chair
- 2 Product Information
- 3 Product Usage Instructions
- 4 PRODUCT FEATURES
- 5 SAFETY INFORMATION
- 6 ASSEMBLY PARTS AND TOOL
- 7 ASSEMBLY INSTRUCTIONS
- 8 LIMITED WARRANTY
- 9 Documents / Resources
 - 9.1 References

COLAMY

COLAMY 290 Big and Tall Office Chair



Product Information

Specifications

- **Model No.:** 290
- **Seating Usage:** Normal use for seating is identified as the equivalent of a single shift, forty(40) hour workweek.

Product Usage Instructions

Assembly

1. Open the packaging and take out all the components.
2. Follow the assembly video provided on our website or refer to the assembly instructions.
3. Start by attaching the base to the seat using the provided screws.
4. Attach the backrest to the seat using the provided screws.
5. Ensure all screws are tightened securely.

Pneumatic Seat Height Adjustment

The chair features a pneumatic seat height adjustment mechanism.

1. Locate the lever underneath the seat.
2. To raise the seat height, pull the lever upwards.
3. Release the lever to lock the seat at the desired height.
4. To lower the seat height, sit on the chair and lift your weight off the seat while pulling the lever upwards.
Release the lever to lock the seat at the new height.

FAQ (Frequently Asked Questions)

- **What is the warranty period for the COLAMY chair?**

- The warranty period for the COLAMY chair is one year from the date of original purchase for any defects in material or workmanship.

- **What is not covered under warranty?**

- The warranty does not apply to normal wear and tear, misuse, abuse, excessive use, modifications or attachments not approved by COLAMY, failure to follow product instructions and warnings, products used for rental purposes or unauthorized retail activities.

- **What is the return policy and procedure?**

- We offer a 30-day return policy. To initiate a return, please fill out the contact form on our website, attach a copy of your invoice as proof of purchase, and provide the reason for your return. After receiving your request, we will provide you with the return address. Once the returned product is received and inspected, a specific disposition will be provided to you. If the return is approved, the refund amount will be credited to your original payment method.

- **Who is responsible for the shipping cost in case of a non-faulty return?**

- If the product is not faulty and you changed your mind or are unhappy with it for some other reason, the cost of shipping will be your responsibility.

- **What should I do if I receive a faulty product?**

- If you receive a faulty product, please contact us immediately and we will assist you.

How can I contact COLAMY for support?

You can reach us at

- **Phone:** 800-507-2215
- **Website:** colamyhome.com
- **Email:** support@colamyhome.com

Is there any caution or warning?

Please read the instructions carefully and follow the assembly steps to avoid any damages or injuries. COLAMY disclaims any liability for damages or injuries that may occur due to failure to properly follow assembly instructions, properly assemble the product, or properly use the product.

WARNING

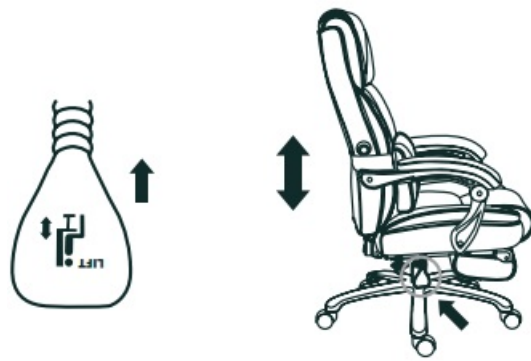
Please read the instructions carefully and follow the assembly steps.

- To ensure proper assembly, please follow all steps and use all parts provided. Not following this warning may result in serious injury to you or others.
- To prevent misalignments, keep the screws loose and do not tighten them until they are all in their correct positions.
- Avoid overtightening or forcing the screws, as this could cause them to break, strip, or damage the threads of the holes.
- Using the wrong size of screws for a particular part could cause damage to the screw or the part.
- Please lubricate all moving parts regularly and tighten all bolts and screws every 6 months, or as needed.

PRODUCT FEATURES

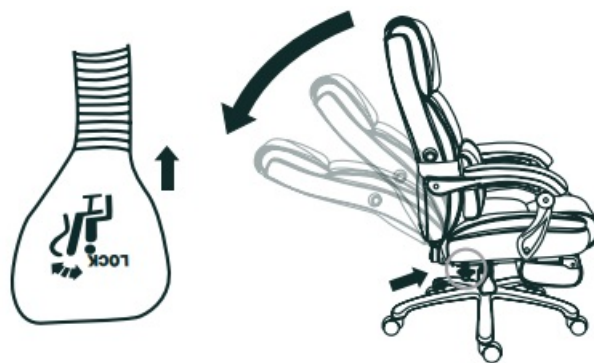
Pneumatic Seat Height Adjustment

Pulling the lever upwards enables height adjustment of the seat, then the seat can be locked at a fixed height by releasing the lever.



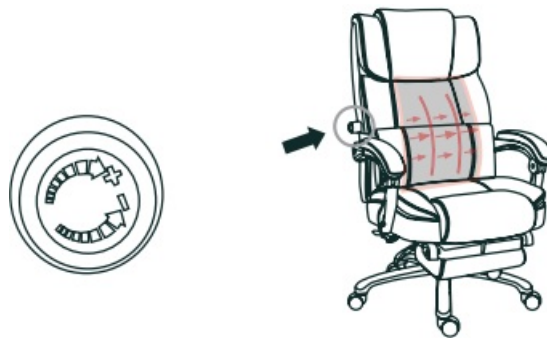
Tilt Angle Adjustment

Simply pull up the lever and recline back to adjust the tilt angle and push down to lock the backrest



Back Support Adjustment

Simply turn the knob clockwise to protrude the back cushion, otherwise, it will retract the back cushion.



SAFETY INFORMATION

WEIGHT CAPACITY FOR SEATING: 350LBS



Sit in the center of the chair with your back against the backrest



Do not sit at the front edge of the chair



Do not stand on the chair



Do not use the chair with more than one person



Do not push the chair around when a person is sitting in it



Do not push down on the backrest when a person is reclined



Do not place all your weight on the backrest only

ASSEMBLY PARTS AND TOOL

BEFORE YOU GET STARTED, A FEW POINTERS

- Having a friend to help makes assembly extra-easy
- Mind the important safety information



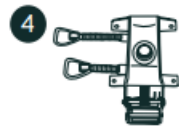
Back Cushion *1



Seat Cushion *1



Arms *2



Seat Plate *1



Back Pillow *1



Lift *1



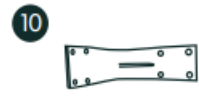
Lift Cover *1



Star Base *1



Casters *5



Steel Plate *1



Bolts
M6*20mm *4



Bolts
M8*20mm *4



Bolts
M8*40mm *4



Bolts
M6*25mm *4



Plastic Caps *4



Wrench *1

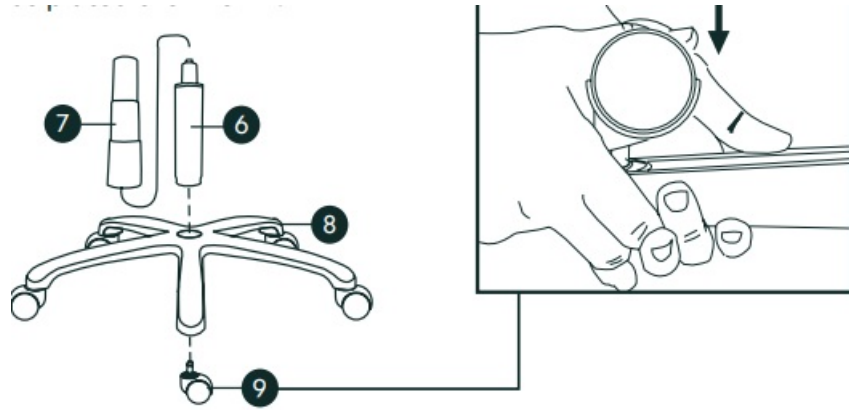
PLEASE MAKE SURE ALL THE PARTS ARE INCLUDED.

- MISSING PARTS? support@colamyhome.com

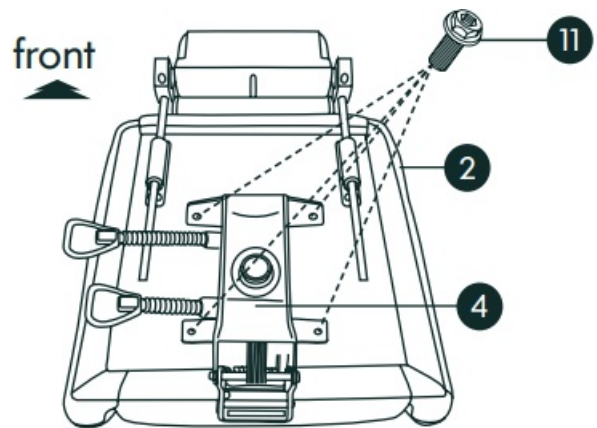
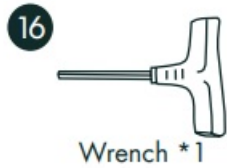
ASSEMBLY INSTRUCTIONS

- **Step 1** Turn the Star Base(8) upside down, then press the Casters(9) into the holes at the end of each base

leg, insert the Lift(6) into the center hole of the Star Base, the Lift Cover(7) should be placed over the Lift.



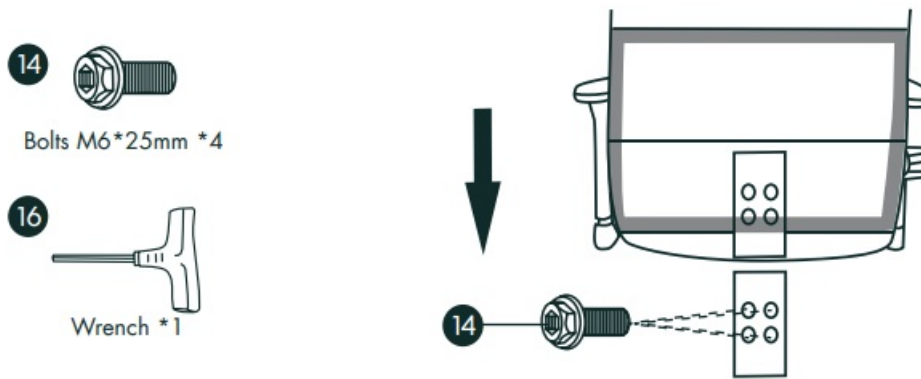
- **Step 2** Align the Seat Plate(4) over the pre-drilled holes underneath the Seat Cushion(2), making sure that the front of the seat plate is facing the front of the Seat Cushion. Attach the Seat Plate(4) to the Seat Cushion using FOUR Bolts M6*20mm(11), and tighten all the bolts with the Wrench(16), being careful not to miss-thread the bolts or damaged the seat.



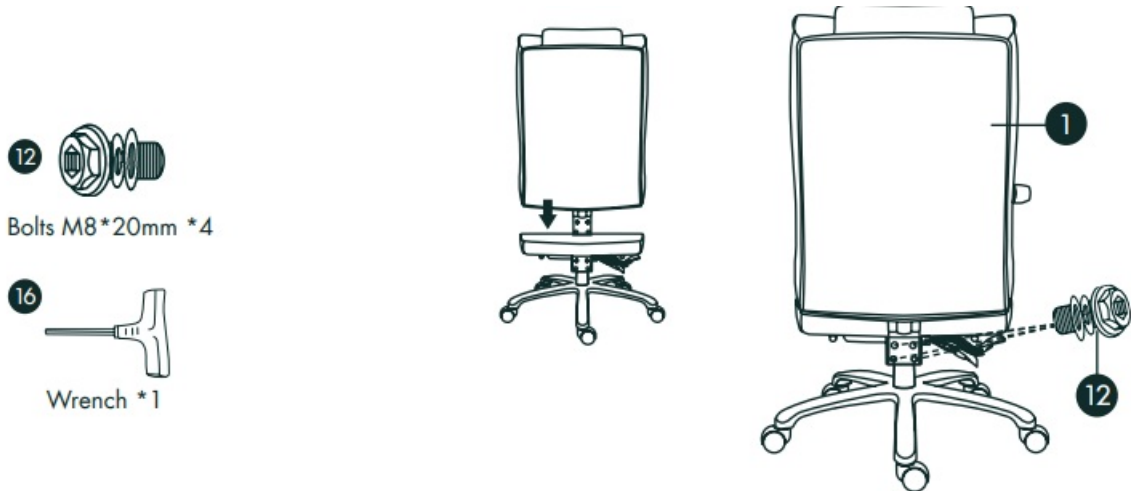
- **Step 3** Turn the Seat Cushion(2) upright and align the center hole of the Seat Plate(4) over the Lift(6), then push the Seat Cushion down onto the Lift(6) firmly until the connection is secure.



- **Step 4** Flip the Velcro on the back of the chair, align the Steel Plate(10) to the back with FOUR M6*25mm Bolts(14), make sure it keep balance, then put the Velcro back on.



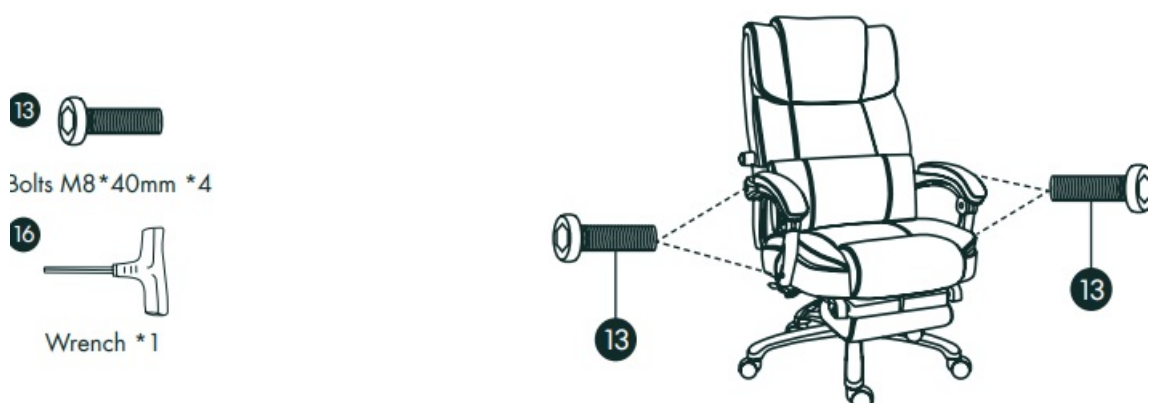
- **Step 5** Attach the Seat Cushion(2) and Back Cushion(1), align the Steel Plate(4) over the pre-drilled holes with FOUR Bolts M8*20mm(12), and tighten all the bolts by using the Wrench(16).



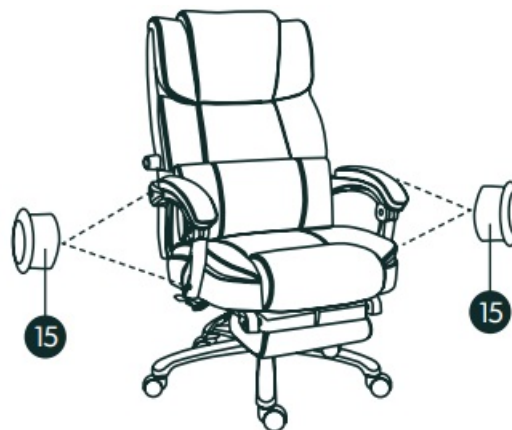
- **Step 6** Recline the backrest by manually pushing it back, and lock it at 135° by using the lever under the seat, then tighten the zipper between the seat cushion and back cushion. After that, restore the seat back to an upright position.



- **Step 7** Attach the Arms(3) to the Seat Cushion(2) and Back Cushion(1) with FOUR Bolts M8*40mm(13), using the Wrench(16).
- **Note 1:** Armrests are labeled with an “L” (left) or “R” (right) to show which sides they should be placed on.



- **Step 8** Use the Plastic Caps(15) to cover the bolt holes on the arms.



LIMITED WARRANTY

COLAMY promises to repair or replace any COLAMY chair that is found to be defective in material or workmanship within one year from the date of original purchase so long as you, the original purchaser, still owns it. This is your sole and exclusive remedy. This warranty is subject to the provisions below.

EXCLUSIONS

This warranty does not apply and no other warranty applies to

- Normal wear and tear, which are to be expected over the course of ownership.
- Misuse, abuse, or excessive use of the product.
- Modifications or attachments to the product that are not approved by COLAMY.
- Products that were not installed, used, or maintained in accordance with product instructions and warnings.
- Products used for rental purposes or unauthorized retail activities.
- **Seating Usage:** Normal use for seating is identified as the equivalent of a single shift, forty- (40) hour workweek. To the extent that a seating product is used in a manner exceeding this, the applicable warranty period will be reduced in a pro-rata manner.

RETURN POLICY

- We adopt a 30-day return policy which means that all products purchased on this website may be returned to us within the timeframe. You need to contact us within 30 days after the product(s) came into your possession and the product(s) must be returned to us without any undue delays.
- Returned products must be returned in the same condition as they were sent and they must be sent in their original packaging.
- If the product is not faulty, (i.e. if you changed your mind or if you are unhappy with the product for some other reason), the cost of shipping will fall on you. And it is your responsibility that the package arrives safely to us so we recommend that you use a courier service where it is possible to track the shipment.
- If the product is faulty when you receive it, please contact us and we will help you out.
- We reserve the right to give a partial refund in cases when the product(s) is not in an unused condition, is damaged or has missing parts, not due to our error.

HOW RETURNS WORK

- To request a return, please fill out the contact form on our website and attach a copy of your invoice as proof of purchase and the reason for your return in the message.
- Then we will provide the return address for the product as soon as possible.
- Once the returned product has been received by us and inspections have been completed, a specific disposition will be provided to you.
- In addition, if the return is approved, the refund amount will be automatically credited to your original payment method.



ASSEMBLY VIDEO

- TEL 800-507-2215
- WEB colamyhome.com
- E-MAIL support@colamyhome.com

CAUTION: COLAMY DISCLAIMS ANY LIABILITY FOR DAMAGES OR INJURIES WHICH MAY OCCUR DUE TO FAILURE TO PROPERLY FOLLOW ASSEMBLY INSTRUCTIONS, PROPERLY ASSEMBLE THE PRODUCT, OR PROPERLY USE THE PRODUCT.

Documents / Resources

	COLAMY 290 Big and Tall Office Chair [pdf] User Manual 290 Big and Tall Office Chair, 290, Big and Tall Office Chair, Tall Office Chair, Office Chair, Chair
---	---

References

- [👁️ COLAMY Home Seats: Office Chair, Dining Chair, Sofa, Recliners. – COLAMYHome](#)
- [User Manual](#)

Manuals+.