

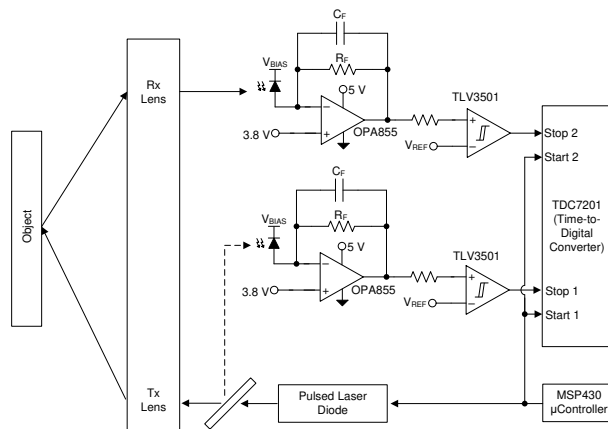
# OPA855-Q1 8GHz のゲイン帯域幅積、7V/V ゲイン安定の車載用バイポーラ入力アンプ

## 1 特長

- 車載アプリケーション用に AEC-Q100 認定済み :
  - 温度グレード 1 : -40°C ~ +125°C、 $T_A$
- 高いゲイン帯域幅積 : 8GHz
- 不完全補償型、ゲイン 7V/V 以上 (安定)
- 小さい入力電圧ノイズ : 0.98nV/ $\sqrt{\text{Hz}}$
- スルーレート : 2750V/ $\mu\text{s}$
- 低い入力容量 :
  - 同相 : 0.6pF
  - 差動 : 0.2pF
- 広い入力同相範囲 :
  - 正電源から 0.4 V
  - 負電源から 1.1V
- 合計出力サイン 3V<sub>PP</sub>
- 電源電圧範囲 : 3.3V ~ 5.25V
- 静止電流 : 17.8mA
- パッケージ : 8 ピン WSON
- 温度範囲 : -40°C ~ +125°C

## 2 アプリケーション

- 車載用 LIDAR
- タイム・オブ・フライト (ToF) カメラ
- 光学時間領域反射率測定 (OTDR)
- 3D スキャナ
- レーザーによる測距
- ソリッド・ステート・スキャン LIDAR
- 光学 ToF 位置センサ
- ドローン・ビジョン
- シリコン光電子増倍素子 (SiPM) バッファ・アンプ
- フォトマルチプライヤ管のポスト・アンプ



高速タイム・オブ・フライト・レーザ

## 3 概要

OPA855-Q1 は、広帯域トランスインピーダンスや電圧アンプのアプリケーションに使用される広帯域、低ノイズのバイポーラ入力オペアンプです。デバイスがトランスインピーダンス・アンプ (TIA) として構成されているとき、8GHz のゲイン帯域幅積 (GBWP) により、数十 k $\Omega$  までのトランスインピーダンス・ゲインで高い閉ループ帯域幅が得られます。

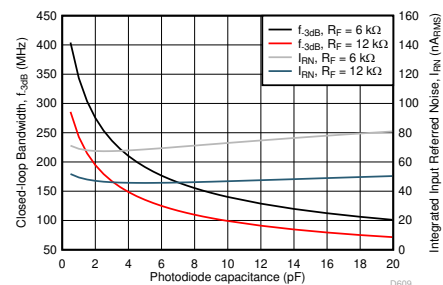
次のグラフは、アンプが TIA として構成されているときの OPA855-Q1 の帯域幅およびノイズ特性を、フォトダイオード容量の関数として示したものです。合計ノイズは、DC から左側のスケールで計算された周波数 (f) までの帯域幅の範囲にわたって計算されます。OPA855-Q1 のパッケージにはフィードバック・ピン (FB) があるため、入力と出力の間の帰還回路接続が簡単になります。

OPA855-Q1 は、OPA855-Q1 を TDC7201 などの時間 / デジタル・コンバータと組み合わせて使用する光学的タイム・オブ・フライト (ToF) システムで動作するように最適化されています。OPA855-Q1 を使うと、THS4541-Q1 などの差動出力アンプを接続した高分解能 LIDAR システムで高速 A/D コンバータ (ADC) を駆動できます。

### パッケージ情報

部品番号 (1)	パッケージ	本体サイズ (公称)
OPA855-Q1	DSG (WSON, 8)	2.00 mm × 2.00 mm

- (1) 利用可能なすべてのパッケージについては、このデータシートの末尾にあるパッケージ・オプションについての付録を参照してください。



フォトダイオード容量と帯域幅およびノイズとの関係



## Table of Contents

<b>1 特長</b> .....	1	<b>10 Application, Implementation, and Layout</b> .....	21
<b>2 アプリケーション</b> .....	1	10.1 Application Information.....	21
<b>3 概要</b> .....	1	10.2 Typical Application.....	21
<b>4 Revision History</b> .....	2	10.3 Typical Application.....	23
<b>5 Device Comparison Table</b> .....	3	<b>11 Power Supply Recommendations</b> .....	27
<b>6 Pin Configuration and Functions</b> .....	4	<b>12 Layout</b> .....	28
<b>7 Specifications</b> .....	5	12.1 Layout Guidelines.....	28
7.1 Absolute Maximum Ratings .....	5	12.2 Layout Example.....	28
7.2 ESD Ratings .....	5	<b>13 Device and Documentation Support</b> .....	30
7.3 Thermal Information .....	5	13.1 Device Support.....	30
7.4 Recommended Operating Conditions .....	5	13.2 Documentation Support.....	30
7.5 Electrical Characteristics .....	6	13.3 Receiving Notification of Documentation Updates.....	30
7.6 Typical Characteristics.....	8	13.4 サポート・リソース.....	30
<b>8 Parameter Measurement Information</b> .....	15	13.5 Trademarks.....	30
<b>9 Detailed Description</b> .....	16	13.6 静電気放電に関する注意事項.....	30
9.1 Overview.....	16	13.7 用語集.....	30
9.2 Functional Block Diagram.....	16	<b>14 Mechanical, Packaging, and Orderable Information</b> .....	30
9.3 Feature Description.....	17		
9.4 Device Functional Modes.....	20		

## 4 Revision History

資料番号末尾の英字は改訂を表しています。その改訂履歴は英語版に準じています。

<b>Changes from Revision A (March 2021) to Revision B (Jan 2023)</b>	<b>Page</b>
• Added the <i>Typical Application</i> , <i>Design Requirements</i> , <i>Detailed Design Procedure</i> , and <i>Application Curves</i> sections.....	23

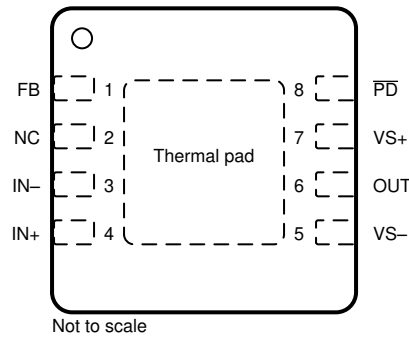
---

<b>Changes from Revision * (February 2021) to Revision A (March 2021)</b>	<b>Page</b>
• Changed Input Bias Current from: -18.5 $\mu$ A to: -20 $\mu$ A.....	6

## 5 Device Comparison Table

DEVICE	INPUT TYPE	MINIMUM STABLE GAIN	VOLTAGE NOISE (nV/√Hz)	INPUT CAPACITANCE (pF)	GAIN BANDWIDTH (GHz)
<a href="#">OPA855-Q1</a>	Bipolar	7 V/V	0.98	0.8	8
<a href="#">OPA858-Q1</a>	CMOS	7 V/V	2.5	0.8	5.5
<a href="#">OPA859-Q1</a>	CMOS	1 V/V	3.3	0.8	0.9

## 6 Pin Configuration and Functions



**图 6-1. DSG Package,  
8-Pin WSON With Exposed Thermal Pad  
(Top View)**

**表 6-1. Pin Functions**

PIN		TYPE <sup>(1)</sup>	DESCRIPTION
NAME	NO.		
FB	1	I	Feedback connection to output of amplifier
IN-	3	I	Inverting input
IN+	4	I	Noninverting input
NC	2	—	Do not connect
OUT	6	O	Amplifier output
PD	8	I	Power down connection. $\overline{PD}$ = logic low = power off mode; $PD$ = logic high = normal operation.
VS-	5	—	Negative voltage supply
VS+	7	—	Positive voltage supply
Thermal pad		—	Connect the thermal pad to VS-

(1) I = input, O = output, FB = feedback, NC = no connect

## 7 Specifications

### 7.1 Absolute Maximum Ratings

over operating free-air temperature range (unless otherwise noted)<sup>(1)</sup>

		MIN	MAX	UNIT
V <sub>S</sub>	Total supply voltage (V <sub>S+</sub> – V <sub>S-</sub> )		5.5	V
V <sub>IN+</sub> , V <sub>IN-</sub>	Input voltage	(V <sub>S-</sub> ) – 0.5	(V <sub>S+</sub> ) + 0.5	V
V <sub>ID</sub>	Differential input voltage		1	V
V <sub>OUT</sub>	Output voltage	(V <sub>S-</sub> ) – 0.5	(V <sub>S+</sub> ) + 0.5	V
I <sub>IN</sub>	Continuous input current		±10	mA
I <sub>OUT</sub>	Continuous output current <sup>(2)</sup>		±100	mA
T <sub>J</sub>	Junction temperature		150	°C
T <sub>A</sub>	Operating free-air temperature	–40	125	°C
T <sub>stg</sub>	Storage temperature	–65	150	°C

(1) Stresses beyond those listed under *Absolute Maximum Rating* may cause permanent damage to the device. These are stress ratings only, which do not imply functional operation of the device at these or any other conditions beyond those indicated under *Recommended Operating Condition*. Exposure to absolute-maximum-rated conditions for extended periods may affect device reliability.

(2) Long-term continuous output current for electromigration limits.

### 7.2 ESD Ratings

			VALUE	UNIT
V <sub>(ESD)</sub>	Electrostatic discharge	Human body model (HBM), per ANSI/ESDA/ JEDEC JS-001, all pins <sup>(1)</sup>	±1500	V
		Charged device model (CDM), per JEDEC specification JS-002, all pins <sup>(2)</sup>	±1500	

(1) JEDEC document JEP155 states that 500-V HBM allows safe manufacturing with a standard ESD control process.

(2) JEDEC document JEP157 states that 250-V CDM allows safe manufacturing with a standard ESD control process.

### 7.3 Thermal Information

THERMAL METRIC <sup>(1)</sup>		OPA856	UNIT
		DSG (WSON)	
		8 PINS	
R <sub>θJA</sub>	Junction-to-ambient thermal resistance	80.1	°C/W
R <sub>θJC(top)</sub>	Junction-to-case (top) thermal resistance	100	°C/W
R <sub>θJB</sub>	Junction-to-board thermal resistance	45	°C/W
Ψ <sub>JT</sub>	Junction-to-top characterization parameter	6.8	°C/W
Ψ <sub>JB</sub>	Junction-to-board characterization parameter	45.2	°C/W
R <sub>θJC(bot)</sub>	Junction-to-case (bottom) thermal resistance	22.7	°C/W

(1) For more information about traditional and new thermal metrics, see the [Semiconductor and IC Package Thermal Metrics](#) application report.

### 7.4 Recommended Operating Conditions

over operating free-air temperature range (unless otherwise noted)

		MIN	NOM	MAX	UNIT
V <sub>S</sub>	Total supply voltage (V <sub>S+</sub> – V <sub>S-</sub> )	3.3	5	5.25	V
T <sub>A</sub>	Operating free-air temperature	–40		125	°C

## 7.5 Electrical Characteristics

at  $V_{S+} = 5\text{ V}$ ,  $V_{S-} = 0\text{ V}$ ,  $G = 7\text{ V/V}$ ,  $R_F = 453\ \Omega$ , input common-mode biased at midsupply,  $R_L = 200\ \Omega$ , output load is referenced to midsupply, and  $T_A = 25^\circ\text{C}$  (unless otherwise noted)

PARAMETER		TEST CONDITIONS	MIN	TYP	MAX	UNIT
<b>AC PERFORMANCE</b>						
SSBW	Small-signal bandwidth	$V_{OUT} = 100\text{ mV}_{PP}$		2.5		GHz
LSBW	Large-signal bandwidth	$V_{OUT} = 2\text{ V}_{PP}$		850		MHz
GBWP	Gain-bandwidth product			8		GHz
	Bandwidth for 0.1-dB flatness			200		MHz
SR	Slew rate (10%-90%)	$V_{OUT} = 2\text{-V step}$		2750		V/ $\mu\text{s}$
$t_r$	Rise time	$V_{OUT} = 100\text{-mV step}$		0.17		ns
$t_f$	Fall time	$V_{OUT} = 100\text{-mV step}$		0.17		ns
	Settling time to 0.1%	$V_{OUT} = 2\text{-V step}$		2.3		ns
	Settling time to 0.001%	$V_{OUT} = 2\text{-V step}$		2600		ns
	Overshoot or undershoot	$V_{OUT} = 2\text{-V step}$		5%		
	Overdrive recovery	2x output overdrive		3		ns
HD2	Second-order harmonic distortion	$f = 10\text{ MHz}$ , $V_{OUT} = 2\text{ V}_{PP}$		90		dBc
		$f = 100\text{ MHz}$ , $V_{OUT} = 2\text{ V}_{PP}$		65		
HD3	Third-order harmonic distortion	$f = 10\text{ MHz}$ , $V_{OUT} = 2\text{ V}_{PP}$		86		dBc
		$f = 100\text{ MHz}$ , $V_{OUT} = 2\text{ V}_{PP}$		74		
$e_n$	Input-referred voltage noise	$f = 1\text{ MHz}$		0.98		nV/ $\sqrt{\text{Hz}}$
$e_i$	Input-referred current noise	$f = 1\text{ MHz}$		2.5		pA/ $\sqrt{\text{Hz}}$
$Z_O$	Closed-loop output impedance	$f = 1\text{ MHz}$		0.15		$\Omega$
<b>DC PERFORMANCE</b>						
$A_{OL}$	Open-loop voltage gain		70	76		dB
$V_{OS}$	Input offset voltage	$T_A = 25^\circ\text{C}$	-1.5	$\pm 0.2$	1.5	mV
$\Delta V_{OS}/\Delta T$	Input offset voltage drift	$T_A = -40^\circ\text{C}$ to $125^\circ\text{C}$		0.5		$\mu\text{V}/^\circ\text{C}$
$I_B$	Input bias current <sup>(1)</sup>	$T_A = 25^\circ\text{C}$	-20	-12	-5	$\mu\text{A}$
$\Delta I_B/\Delta T$	Input bias current drift	$T_A = -40^\circ\text{C}$ to $+125^\circ\text{C}$		-0.08		$\mu\text{A}/^\circ\text{C}$
$I_{BOS}$	Input offset current	$T_A = 25^\circ\text{C}$	-1	$\pm 0.1$	1	$\mu\text{A}$
$\Delta I_{BOS}/\Delta T$	Input offset current drift	$T_A = -40^\circ\text{C}$ to $+125^\circ\text{C}$		1		nA/ $^\circ\text{C}$
CMRR	Common-mode rejection ratio	$V_{CM} = \pm 0.5\text{ V}$ referred to midsupply	90	100		dB
<b>INPUT</b>						
	Common-mode input resistance			2.3		M $\Omega$
$C_{CM}$	Common-mode input capacitance			0.6		pF
	Differential input resistance			5		k $\Omega$
$C_{DIFF}$	Differential input capacitance			0.2		pF
$V_{IH}$	Common-mode input range (high)	CMRR > 80 dB, $V_{S+} = 3.3\text{ V}$	2.7	2.9		V
$V_{IL}$	Common-mode input range (low)	CMRR > 80 dB, $V_{S+} = 3.3\text{ V}$		1.1	1.3	V
$V_{IH}$	Common-mode input range (high)	CMRR > 80 dB	4.4	4.6		V
$V_{IH}$	Common-mode input range (high)	$T_A = -40^\circ\text{C}$ to $+125^\circ\text{C}$ , CMRR > 80 dB		4.3		V
$V_{IL}$	Common-mode input range (low)	CMRR > 80 dB		1.1	1.3	V
$V_{IL}$	Common-mode input range (low)	$T_A = -40^\circ\text{C}$ to $+125^\circ\text{C}$ , CMRR > 80 dB		1.3		V

## 7.5 Electrical Characteristics (continued)

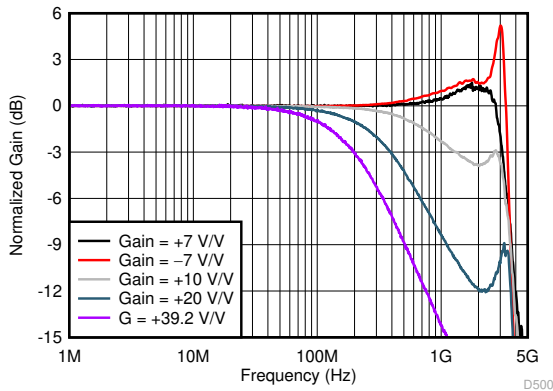
at  $V_{S+} = 5\text{ V}$ ,  $V_{S-} = 0\text{ V}$ ,  $G = 7\text{ V/V}$ ,  $R_F = 453\ \Omega$ , input common-mode biased at midsupply,  $R_L = 200\ \Omega$ , output load is referenced to midsupply, and  $T_A = 25^\circ\text{C}$  (unless otherwise noted)

PARAMETER		TEST CONDITIONS	MIN	TYP	MAX	UNIT
<b>OUTPUT</b>						
$V_{OH}$	Output voltage (high) <sup>(2)</sup>	$T_A = 25^\circ\text{C}$ , $V_{S+} = 3.3\text{ V}$	2.35	2.4		V
$V_{OH}$	Output voltage (high) <sup>(2)</sup>	$T_A = 25^\circ\text{C}$	3.95	4.1		V
		$T_A = -40^\circ\text{C}$ to $+125^\circ\text{C}$		4		
$V_{OL}$	Output voltage (low) <sup>(2)</sup>	$T_A = 25^\circ\text{C}$ , $V_{S+} = 3.3\text{ V}$		1.05	1.15	V
$V_{OL}$	Output voltage (low) <sup>(2)</sup>	$T_A = 25^\circ\text{C}$		1.05	1.15	V
		$T_A = -40^\circ\text{C}$ to $+125^\circ\text{C}$		1.1		
$I_{O\_LIN}$	Linear output drive (sink and source)	$R_L = 10\ \Omega$ , $A_{OL} > 60\text{ dB}$	65	80		mA
		$T_A = -40^\circ\text{C}$ to $+125^\circ\text{C}$ , $R_L = 10\ \Omega$ , $A_{OL} > 60\text{ dB}$		70		
$I_{SC}$	Output short-circuit current		85	105		mA
<b>POWER SUPPLY</b>						
$I_Q$	Quiescent current		16	17.8	19.5	mA
		$T_A = -40^\circ\text{C}$		16.7		
		$T_A = 125^\circ\text{C}$		19.5		
PSRR+	Positive power-supply rejection ratio		80	86		dB
PSRR–	Negative power-supply rejection ratio		70	80		
<b>POWER DOWN</b>						
	Disable voltage threshold	Amplifier OFF below this voltage	0.65	1		V
	Enable voltage threshold	Amplifier ON below this voltage		1.5	1.8	V
	Power-down quiescent current			70	140	$\mu\text{A}$
	$\overline{\text{PD}}$ bias current			70	140	$\mu\text{A}$
	Turnon time delay	Time to $V_{OUT} = 90\%$ of final value		15		ns
	Turnoff time delay			120		ns

- (1) Current flowing into the input pin is considered negative  
(2) Amplifier output saturated

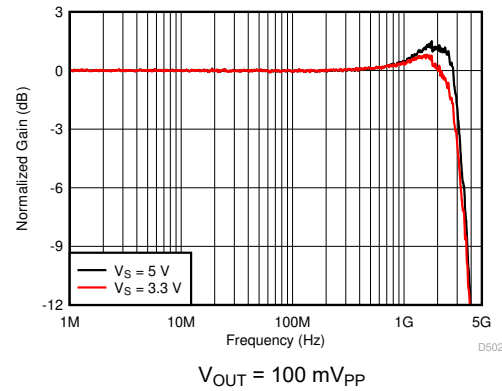
## 7.6 Typical Characteristics

at  $T_A = 25^\circ\text{C}$ ,  $V_{S+} = 2.5\text{ V}$ ,  $V_{S-} = -2.5\text{ V}$ ,  $V_{IN+} = 0\text{ V}$ ,  $R_F = 453\ \Omega$ , Gain = 7 V/V,  $R_L = 200\ \Omega$ , and output load referenced to midsupply (unless otherwise noted)



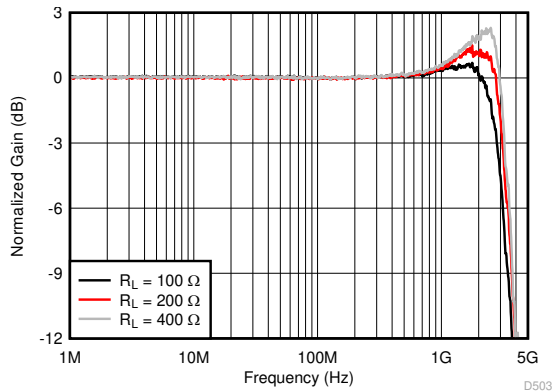
$V_{OUT} = 100\text{ mV}_{PP}$ ; for circuit configuration, see [セクション 8](#)

**Figure 7-1. Small-Signal Frequency Response vs Gain**



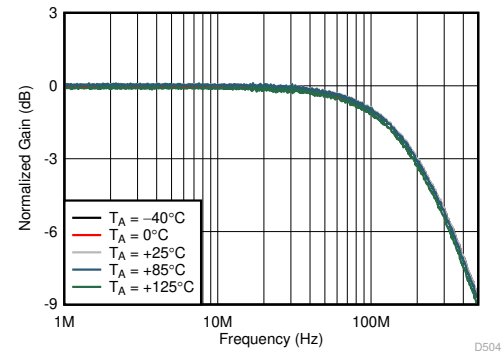
$V_{OUT} = 100\text{ mV}_{PP}$

**Figure 7-2. Small-Signal Frequency Response vs Supply Voltage**



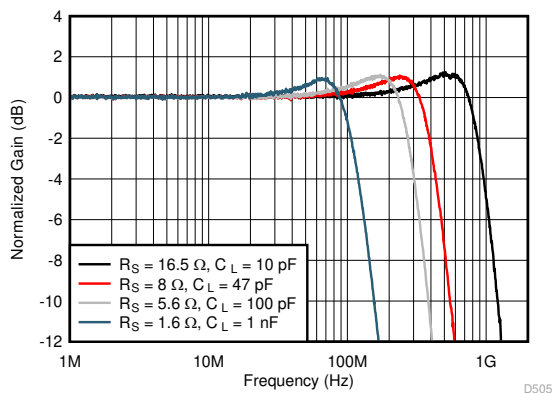
$V_{OUT} = 100\text{ mV}_{PP}$

**Figure 7-3. Small-Signal Frequency Response vs Output Load**



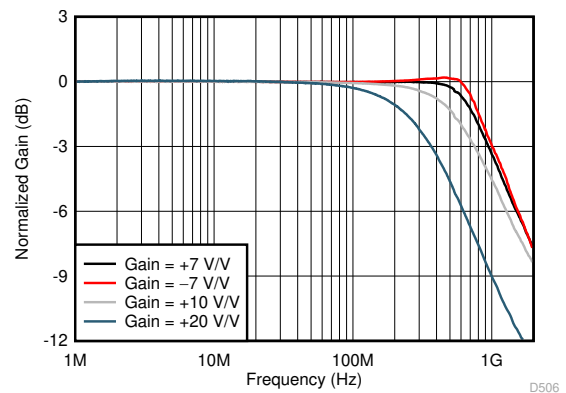
Gain = 39.2 V/V,  $R_F = 953\ \Omega$   $V_{OUT} = 100\text{ mV}_{PP}$

**Figure 7-4. Small-Signal Frequency Response vs Ambient Temperature**



$V_{OUT} = 100\text{ mV}_{PP}$ ; for circuit configuration, see [Figure 8-3](#)

**Figure 7-5. Small-Signal Frequency Response vs Capacitive Load**



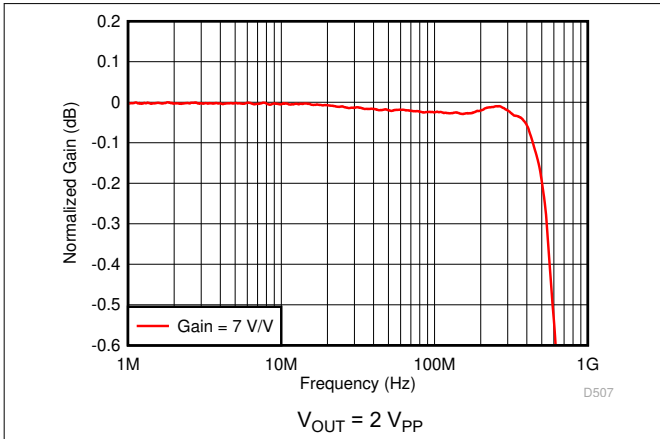
$V_{OUT} = 2\text{ V}_{PP}$

**Figure 7-6. Large-Signal Frequency Response vs Gain**

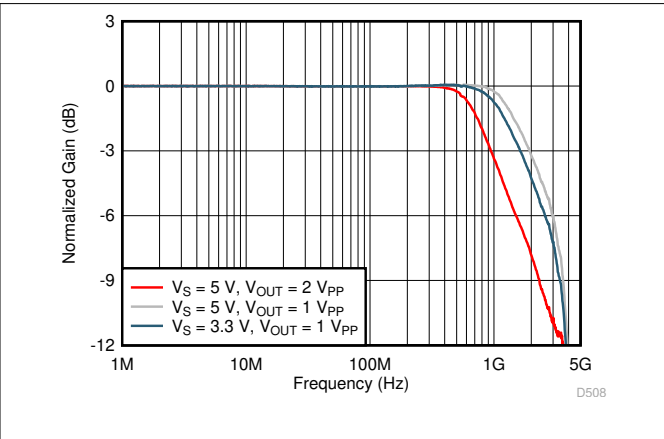


## 7.6 Typical Characteristics (continued)

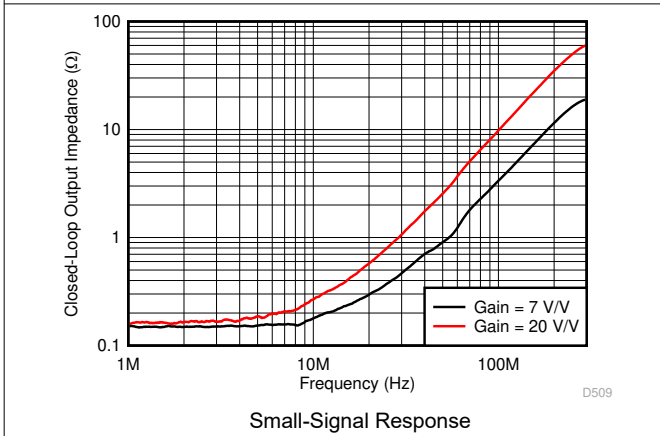
at  $T_A = 25^\circ\text{C}$ ,  $V_{S+} = 2.5\text{ V}$ ,  $V_{S-} = -2.5\text{ V}$ ,  $V_{IN+} = 0\text{ V}$ ,  $R_F = 453\ \Omega$ , Gain = 7 V/V,  $R_L = 200\ \Omega$ , and output load referenced to midsupply (unless otherwise noted)



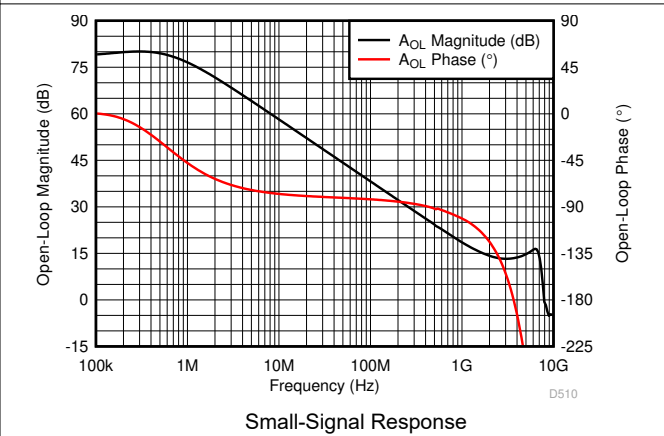
**7-7. Large-Signal Response for 0.1-dB Gain Flatness**



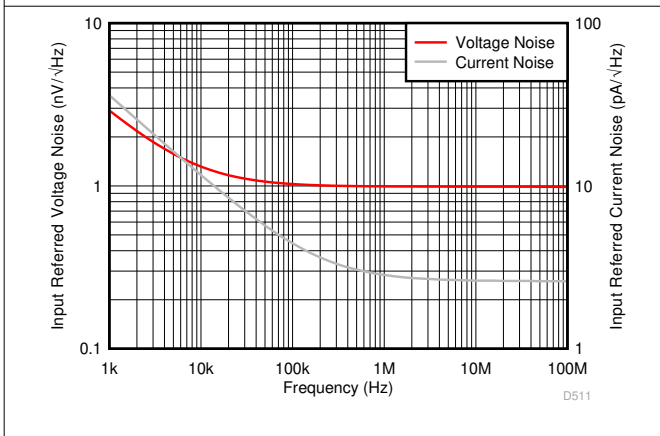
**7-8. Large-Signal Frequency Response vs Voltage Supply**



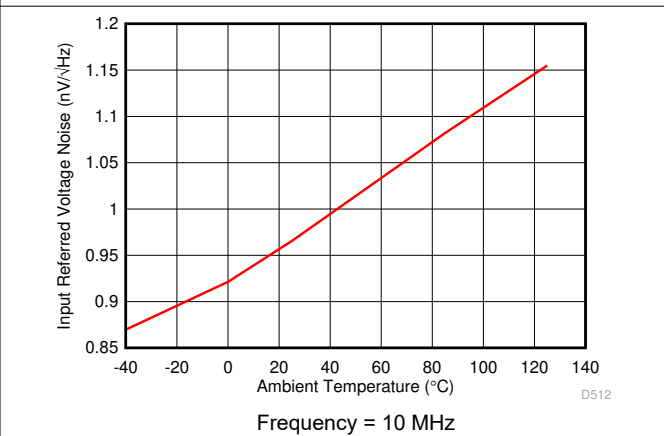
**7-9. Closed-Loop Output Impedance vs Frequency**



**7-10. Open-Loop Magnitude and Phase vs Frequency**



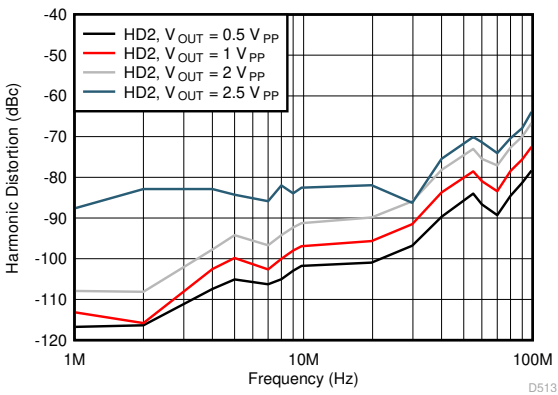
**7-11. Voltage and Current Noise Density vs Frequency**



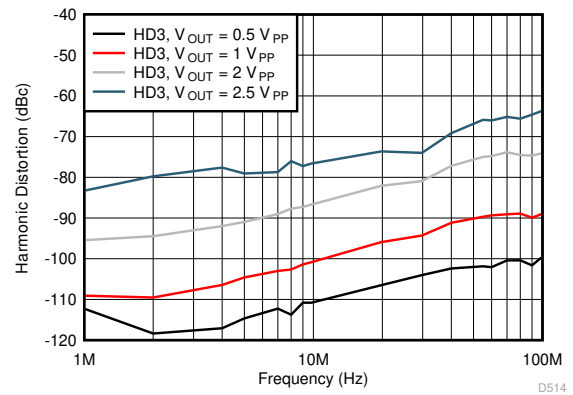
**7-12. Voltage Noise Density vs Ambient Temperature**

## 7.6 Typical Characteristics (continued)

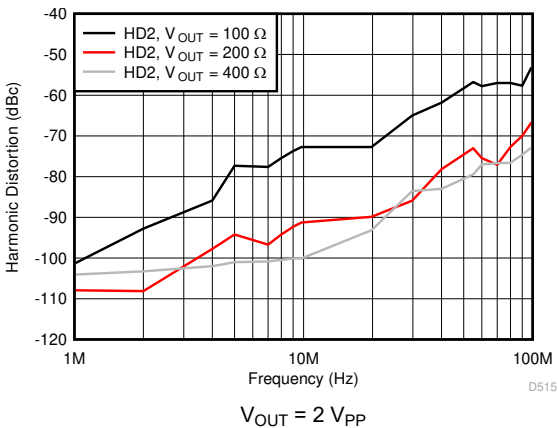
at  $T_A = 25^\circ\text{C}$ ,  $V_{S+} = 2.5\text{ V}$ ,  $V_{S-} = -2.5\text{ V}$ ,  $V_{IN+} = 0\text{ V}$ ,  $R_F = 453\ \Omega$ , Gain = 7 V/V,  $R_L = 200\ \Omega$ , and output load referenced to midsupply (unless otherwise noted)



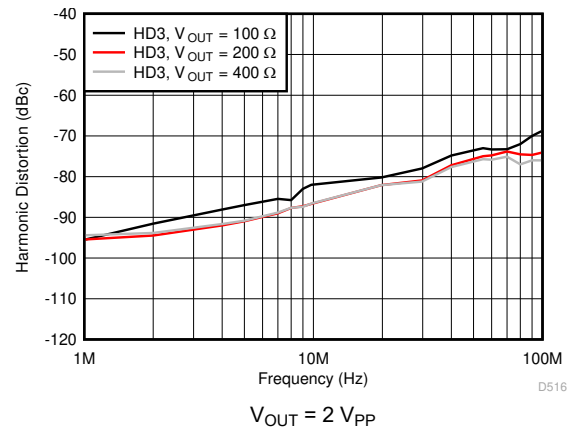
7-13. Harmonic Distortion (HD2) vs Output Swing



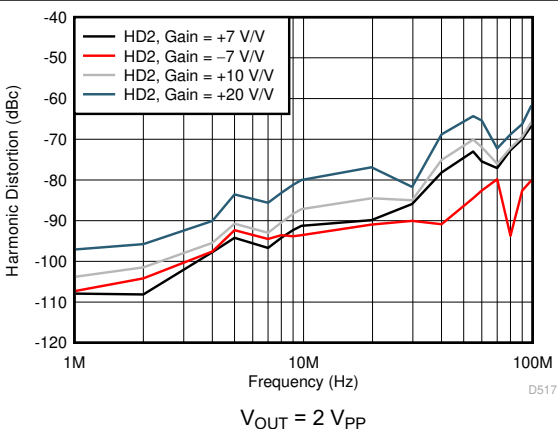
7-14. Harmonic Distortion (HD3) vs Output Swing



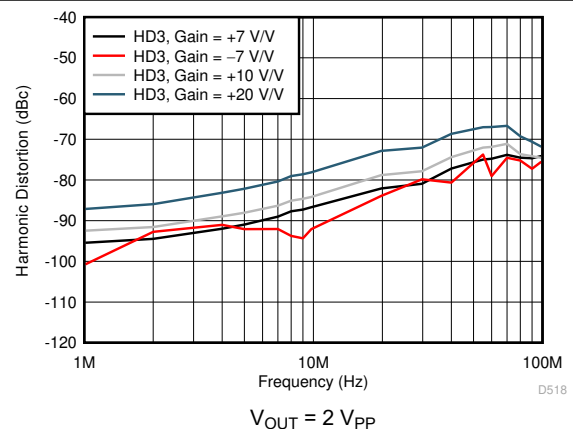
7-15. Harmonic Distortion (HD2) vs Output Load



7-16. Harmonic Distortion (HD3) vs Output Load



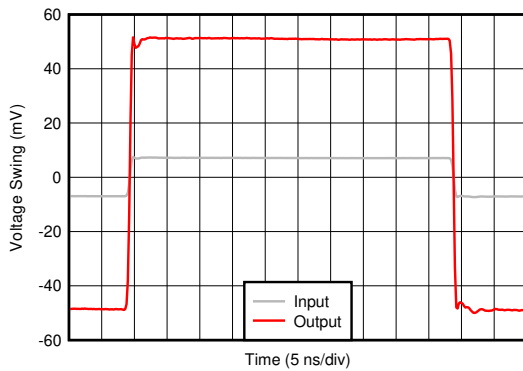
7-17. Harmonic Distortion (HD2) vs Gain



7-18. Harmonic Distortion (HD3) vs Gain

### 7.6 Typical Characteristics (continued)

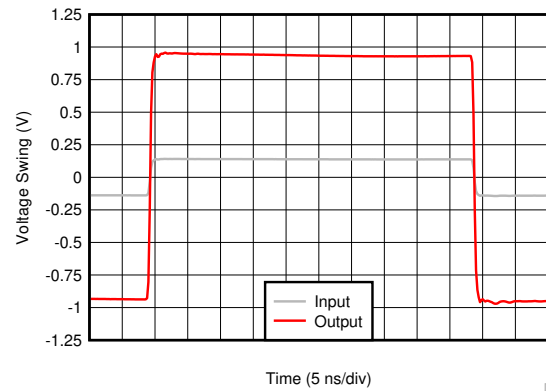
at  $T_A = 25^\circ\text{C}$ ,  $V_{S+} = 2.5\text{ V}$ ,  $V_{S-} = -2.5\text{ V}$ ,  $V_{IN+} = 0\text{ V}$ ,  $R_F = 453\ \Omega$ , Gain = 7 V/V,  $R_L = 200\ \Omega$ , and output load referenced to midsupply (unless otherwise noted)



D519

Average Rise and Fall Time (10% – 90%) = 300 ps  
Rise and fall time limited by test equipment

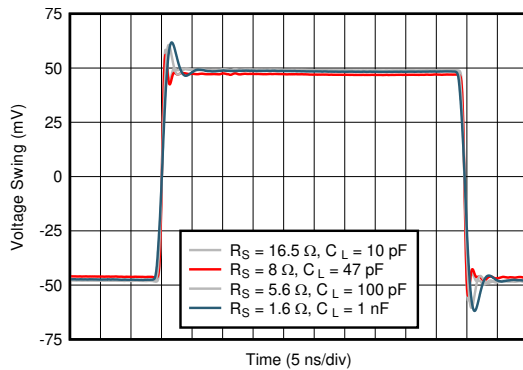
**7-19. Small-Signal Transient Response**



D520

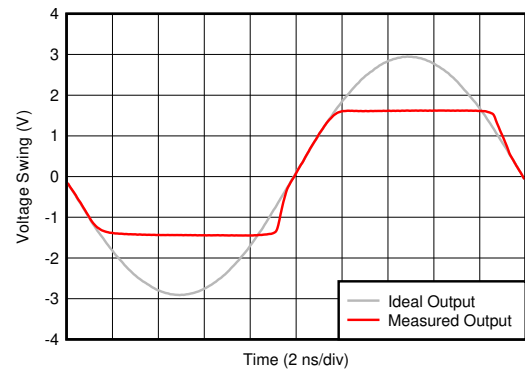
Average Rise and Fall Time (10% – 90%) = 569 ps

**7-20. Large-Signal Transient Response**



D521

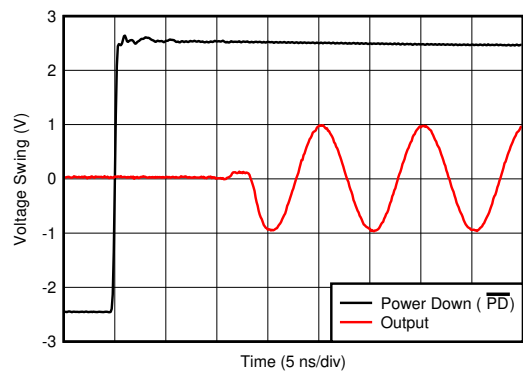
**7-21. Small-Signal Transient Response vs Capacitive Load**



D522

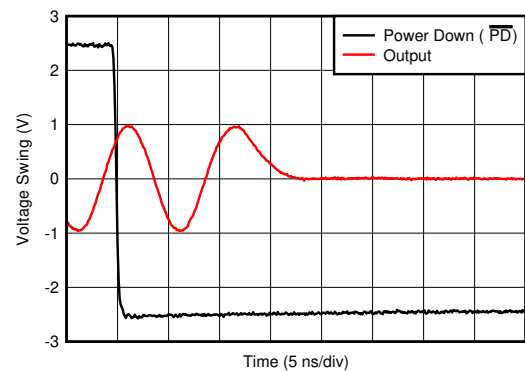
2x Output Overdrive

**7-22. Output Overload Response**



D523

**7-23. Turnon Transient Response**

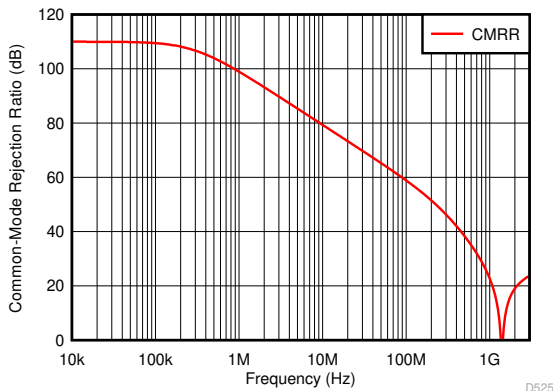


D524

**7-24. Turnoff Transient Response**

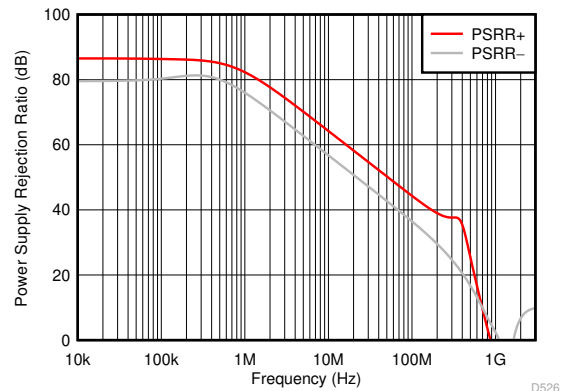
### 7.6 Typical Characteristics (continued)

at  $T_A = 25^\circ\text{C}$ ,  $V_{S+} = 2.5\text{ V}$ ,  $V_{S-} = -2.5\text{ V}$ ,  $V_{IN+} = 0\text{ V}$ ,  $R_F = 453\ \Omega$ , Gain = 7 V/V,  $R_L = 200\ \Omega$ , and output load referenced to midsupply (unless otherwise noted)



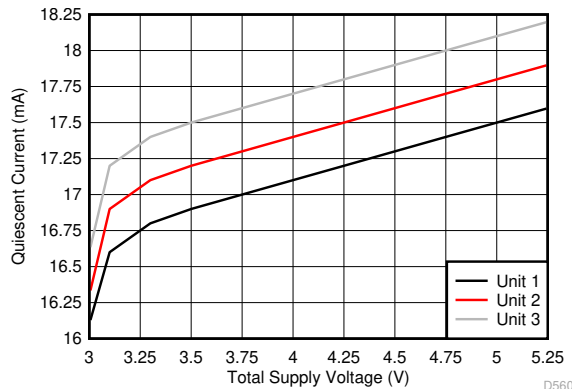
Small-Signal Response

**7-25. Common-Mode Rejection Ratio vs Frequency**



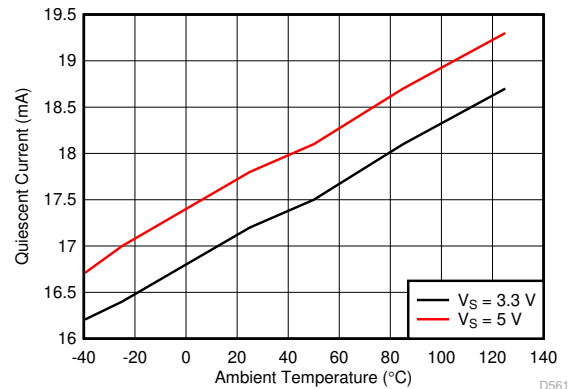
Small-Signal Response

**7-26. Power Supply Rejection Ratio vs Frequency**

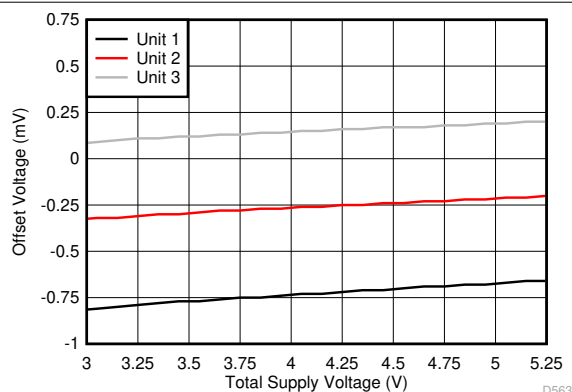


3 Typical Units

**7-27. Quiescent Current vs Supply Voltage**

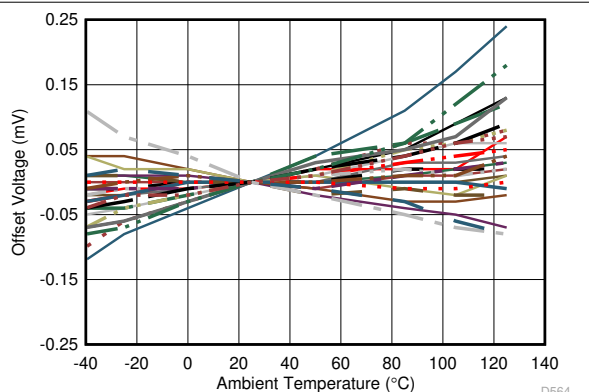


**7-28. Quiescent Current vs Ambient Temperature**



3 Typical Units

**7-29. Offset Voltage vs Supply Voltage**

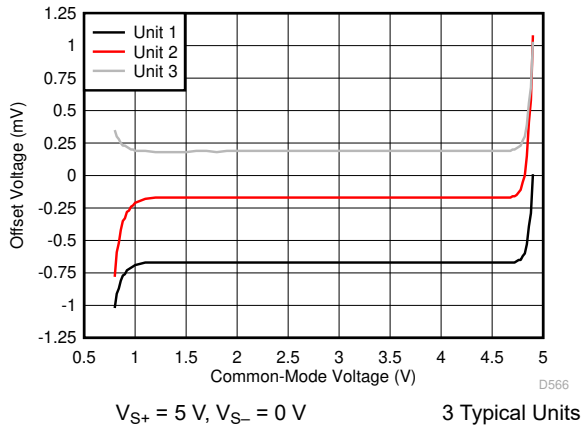


$\mu = 0.4\ \mu\text{V}/^\circ\text{C}$      $\sigma = 0.7\ \mu\text{V}/^\circ\text{C}$     28 units tested

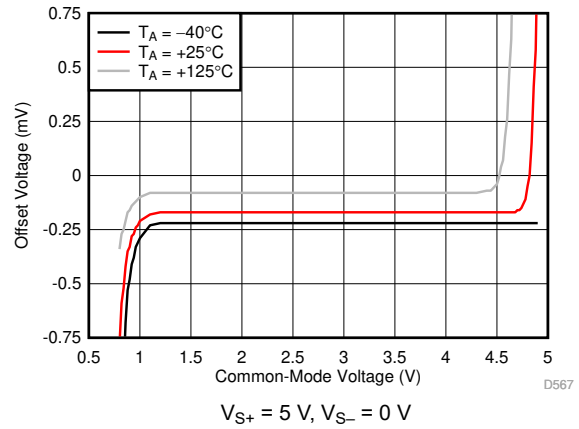
**7-30. Offset Voltage vs Ambient Temperature**

### 7.6 Typical Characteristics (continued)

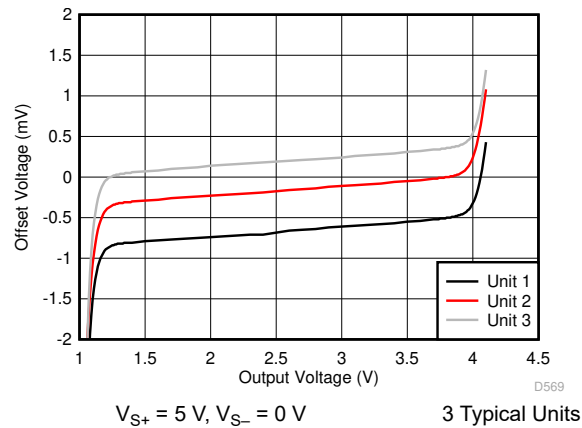
at  $T_A = 25^\circ\text{C}$ ,  $V_{S+} = 2.5\text{ V}$ ,  $V_{S-} = -2.5\text{ V}$ ,  $V_{IN+} = 0\text{ V}$ ,  $R_F = 453\ \Omega$ , Gain = 7 V/V,  $R_L = 200\ \Omega$ , and output load referenced to midsupply (unless otherwise noted)



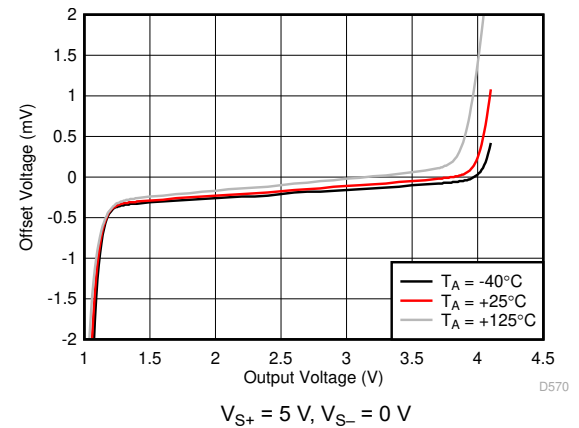
**7-31. Offset Voltage vs Input Common-Mode Voltage**



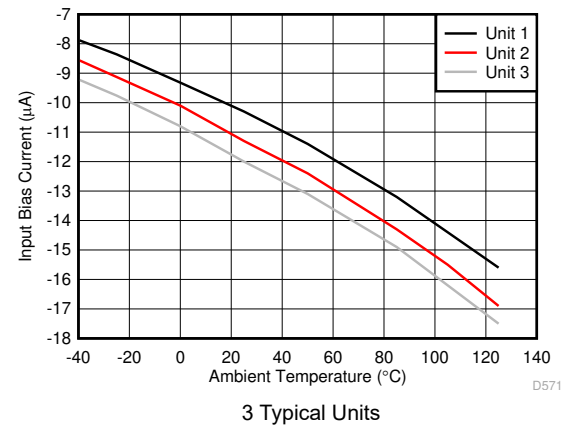
**7-32. Offset Voltage vs Input Common-Mode Voltage vs Ambient Temperature**



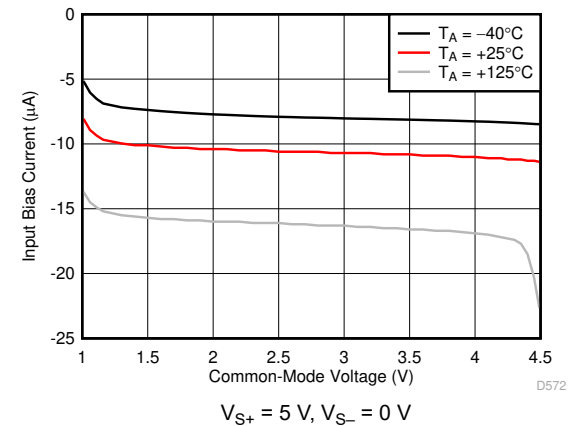
**7-33. Offset Voltage vs Output Swing**



**7-34. Offset Voltage vs Output Swing vs Ambient Temperature**



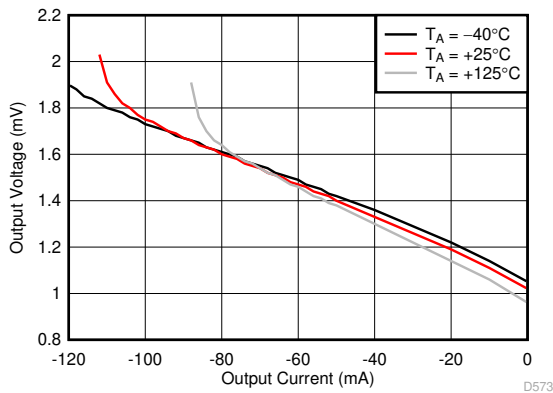
**7-35. Input Bias Current vs Ambient Temperature**



**7-36. Input Bias Current vs Input Common-Mode Voltage vs Ambient Temperature**

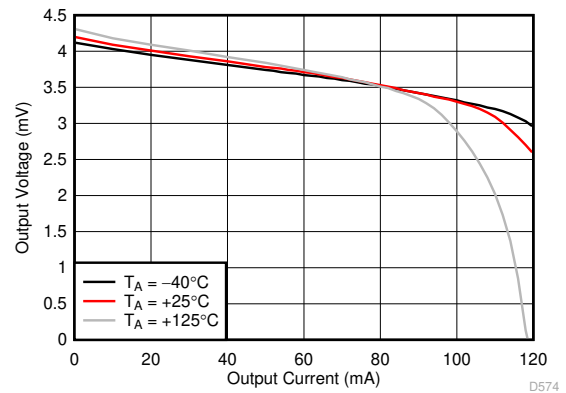
### 7.6 Typical Characteristics (continued)

at  $T_A = 25^\circ\text{C}$ ,  $V_{S+} = 2.5\text{ V}$ ,  $V_{S-} = -2.5\text{ V}$ ,  $V_{IN+} = 0\text{ V}$ ,  $R_F = 453\ \Omega$ , Gain = 7 V/V,  $R_L = 200\ \Omega$ , and output load referenced to midsupply (unless otherwise noted)



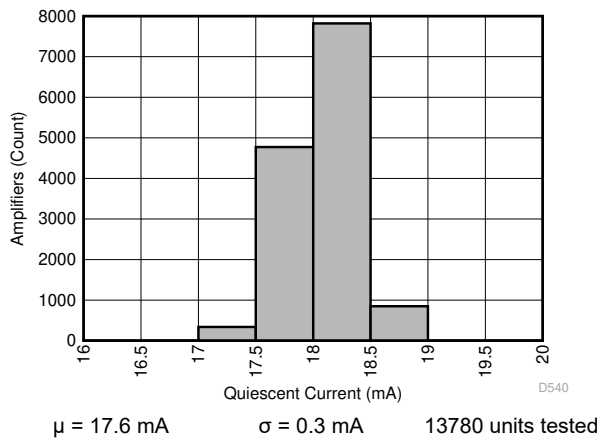
$V_{S+} = 5\text{ V}$ ,  $V_{S-} = 0\text{ V}$

**7-37. Output Swing vs Sinking Current**



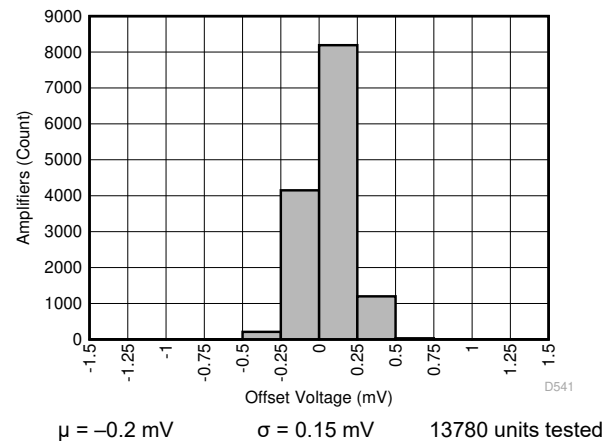
$V_{S+} = 5\text{ V}$ ,  $V_{S-} = 0\text{ V}$

**7-38. Output Swing vs Sourcing Current**



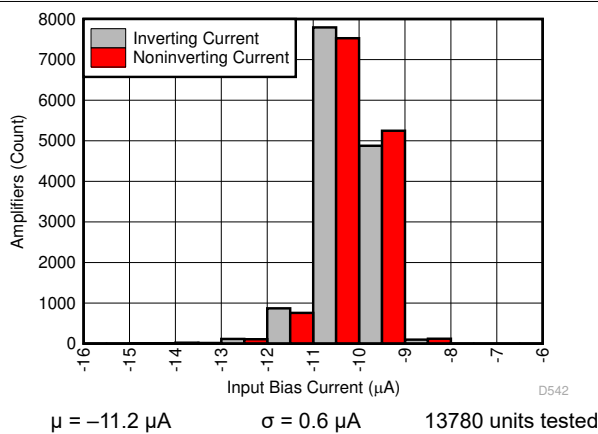
$\mu = 17.6\text{ mA}$        $\sigma = 0.3\text{ mA}$       13780 units tested

**7-39. Quiescent Current Distribution**



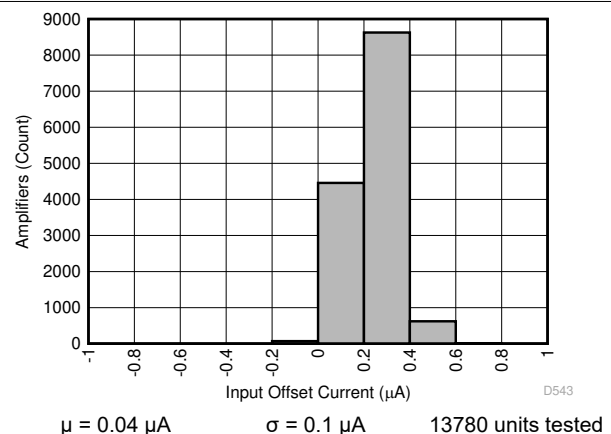
$\mu = -0.2\text{ mV}$        $\sigma = 0.15\text{ mV}$       13780 units tested

**7-40. Offset Voltage Distribution**



$\mu = -11.2\ \mu\text{A}$        $\sigma = 0.6\ \mu\text{A}$       13780 units tested

**7-41. Input Bias Current Distribution**



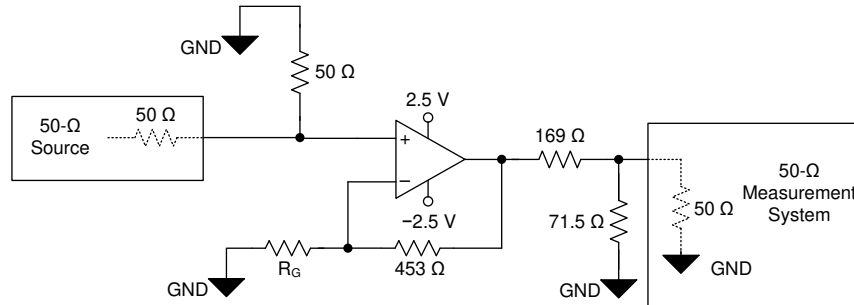
$\mu = 0.04\ \mu\text{A}$        $\sigma = 0.1\ \mu\text{A}$       13780 units tested

**7-42. Input Offset Current Distribution**

## 8 Parameter Measurement Information

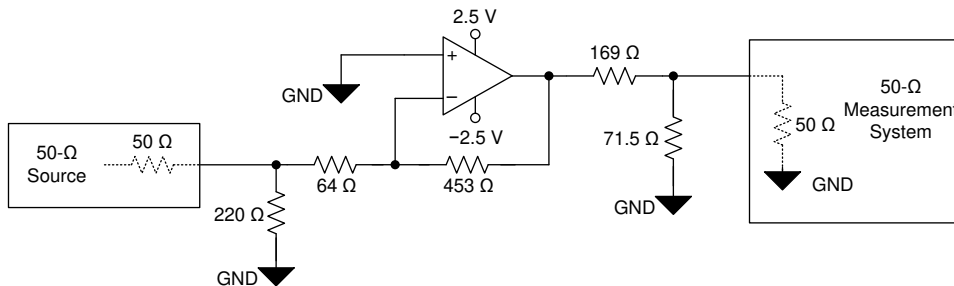
The various test setup configurations for the OPA855-Q1 are shown in [Figure 8-1](#), [Figure 8-2](#), and [Figure 8-3](#). When configuring the OPA855-Q1 in a gain of +39.2 V/V, feedback resistor  $R_F$  was set to 953  $\Omega$ .

[Figure 7-1](#) shows 5-dB of peaking with the amplifier in an inverting configuration of  $-7$  V/V with the amplifier configured as shown in [Figure 8-2](#). The 50- $\Omega$  matched termination of this circuit configuration results in the amplifier being configured in a noise gain of 5.3 V/V, which is lower than the recommended +7 V/V.

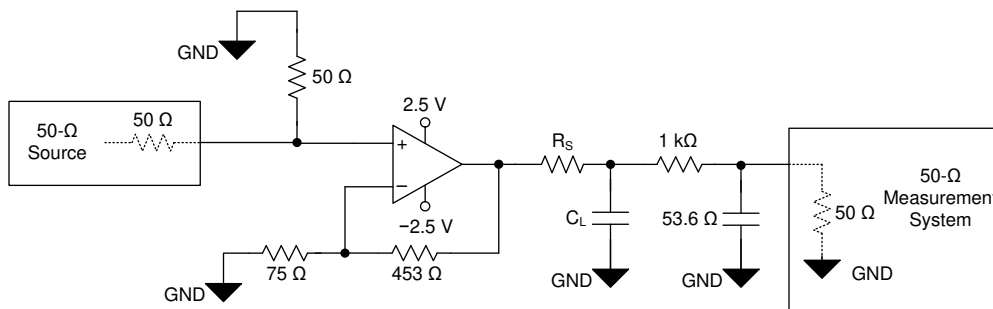


$R_G$  values depend on gain configuration

**Figure 8-1. Noninverting Configuration**



**Figure 8-2. Inverting Configuration (Gain =  $-7$  V/V)**



**Figure 8-3. Capacitive Load Driver Configuration**

## 9 Detailed Description

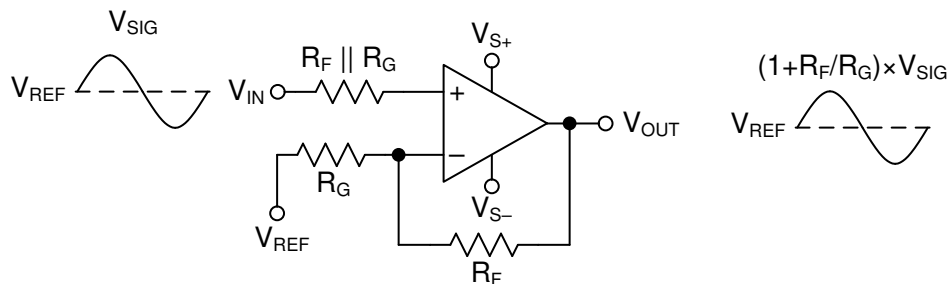
### 9.1 Overview

The ultra-wide, 8-GHz gain bandwidth product (GBWP) of the OPA855-Q1, combined with the broadband voltage noise of  $0.98 \text{ nV}/\sqrt{\text{Hz}}$ , produces a viable amplifier for wideband transimpedance applications, high-speed data acquisition systems, and applications with weak signal inputs that require low-noise and high-gain front ends. The OPA855-Q1 combines multiple features to optimize dynamic performance. In addition to the wide, small-signal bandwidth, the OPA855-Q1 has 850 MHz of large-signal bandwidth ( $2 V_{PP}$ ), and a slew rate of  $2750 \text{ V}/\mu\text{s}$ , making the device a viable option for high-speed pulsed applications.

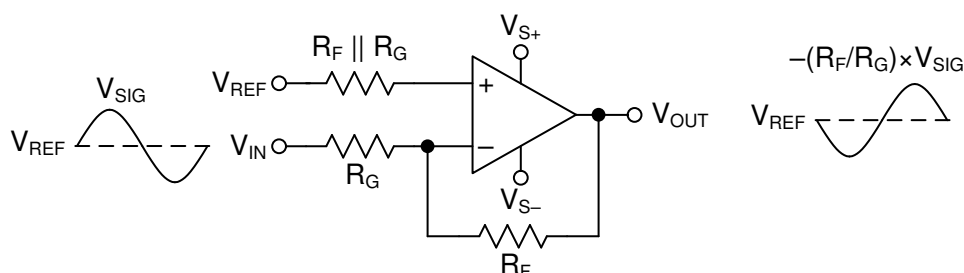
The OPA855-Q1 is offered in a 2-mm × 2-mm, 8-pin WSON package that features a feedback (FB) pin for a simple feedback network connection between the amplifiers output and inverting input. Excess capacitance on an amplifiers input pin can reduce phase margin causing instability. This problem is exacerbated in the case of very wideband amplifiers like the OPA855-Q1. To reduce the effects of stray capacitance on the input node, the OPA855-Q1 pinout features an isolation pin (NC) between the feedback and inverting input pins that increases the physical spacing between them thereby reducing parasitic coupling at high frequencies. The OPA855-Q1 also features a very low capacitance input stage with only 0.8-pF of total input capacitance.

### 9.2 Functional Block Diagram

The OPA855-Q1 is a classic voltage feedback operational amplifier (op amp) with two high-impedance inputs and a low-impedance output. Standard application circuits are supported, like the two basic options shown in [Figure 9-1](#) and [Figure 9-2](#). The resistor on the noninverting pin is used for bias current cancellation to minimize the output offset voltage. In a noninverting configuration the additional resistors on the noninverting pin add noise to the system so if SNR is critical, the resistor can be eliminated. In an inverting configuration the noninverting node is typically connected to a DC voltage, so the high-frequency noise contribution from the bias cancellation resistor can be bypassed by adding a large 1- $\mu\text{F}$  capacitor in parallel to the resistor to shunt the noise. The DC operating point for each configuration is level-shifted by the reference voltage ( $V_{REF}$ ), which is typically set to midsupply in single-supply operation.  $V_{REF}$  is typically connected to ground in split-supply applications.



**Figure 9-1. Noninverting Amplifier**



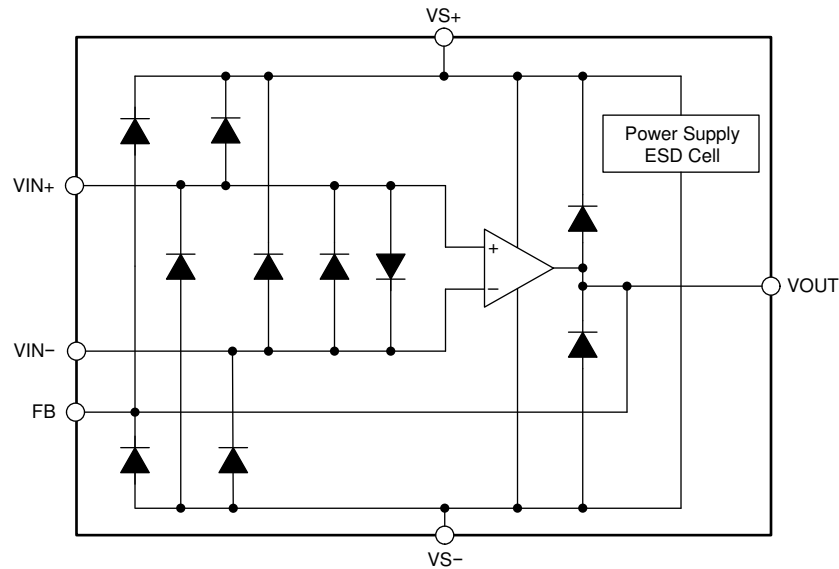
**Figure 9-2. Inverting Amplifier**



## 9.3 Feature Description

### 9.3.1 Input and ESD Protection

The OPA855-Q1 is fabricated on a low-voltage, high-speed, BiCMOS process. The internal, junction breakdown voltages are low for these small geometry devices, and as a result, all device pins are protected with internal ESD protection diodes to the power supplies as [Figure 9-3](#) shows. There are two antiparallel diodes between the inputs of the amplifier that clamp the inputs during an overrange or fault condition.

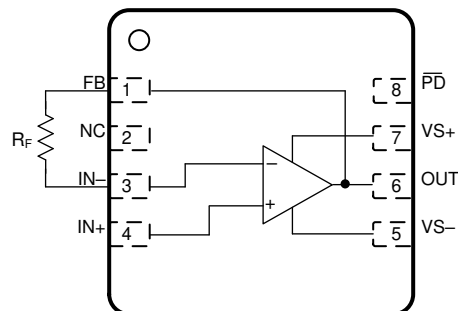


**Figure 9-3. Internal ESD Structure**

### 9.3.2 Feedback Pin

The OPA855-Q1 pin layout is optimized to minimize parasitic inductance and capacitance, which is a critical care about in high-speed analog design. The FB pin (pin 1) is internally connected to the output of the amplifier. The FB pin is separated from the inverting input of the amplifier (pin 3) by a no connect (NC) pin (pin 2). The NC pin must be left floating. There are two advantages to this pin layout:

1. A feedback resistor ( $R_F$ ) can connect between the FB and IN- pin on the same side of the package (see [Figure 9-4](#)) rather than going around the package.
2. The isolation created by the NC pin minimizes the capacitive coupling between the FB and IN- pins by increasing the physical separation between the pins.



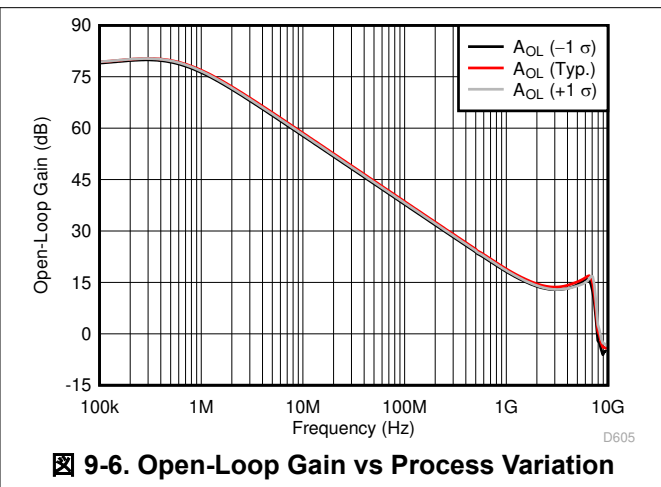
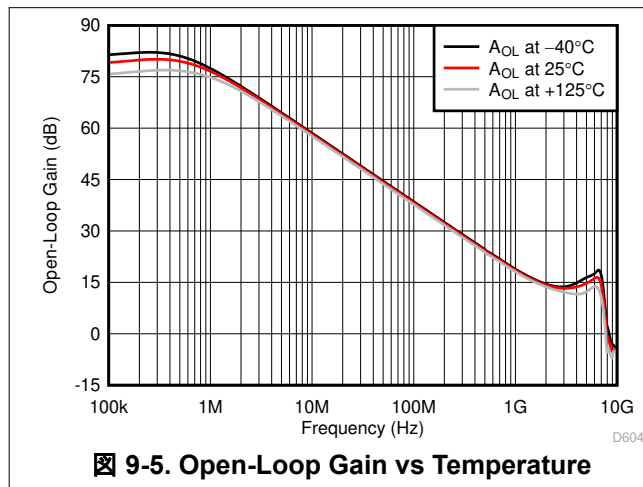
**Figure 9-4.  $R_F$  Connection Between FB and IN- Pins**

### 9.3.3 Wide Gain-Bandwidth Product

Figure 7-10 shows the open-loop magnitude and phase response of the OPA855-Q1. Calculate the gain bandwidth product of any op amp by determining the frequency at which the  $A_{OL}$  is 40 dB and multiplying that frequency by a factor of 100. The open-loop response shows the OPA855-Q1 to have approximately  $62^\circ$  of phase-margin in a noise gain of 7 V/V. The second pole in the  $A_{OL}$  response occurs before the magnitude crosses 0 dB, and the resultant phase margin is less than  $0^\circ$ . This indicates instability at a gain of 0 dB (1 V/V). Amplifiers that are not unity-gain stable are known as decompensated amplifiers. Decompensated amplifiers typically have higher gain-bandwidth product, higher slew rate, and lower voltage noise, compared to a unity-gain stable amplifier with the same amount of quiescent power consumption.

Figure 9-5 shows the open-loop magnitude ( $A_{OL}$ ) of the OPA855-Q1 as a function of temperature. The results show approximately  $5^\circ$  of phase-margin variation over the entire temperature range in a noise gain of 7 V/V. Semiconductor process variation is the naturally occurring variation in the attributes of a transistor (Early-voltage,  $\beta$ , channel-length and width) and other passive elements (resistors and capacitors) when fabricated into an integrated circuit. The process variation can occur across devices on a single wafer or across devices over multiple wafer lots over time. Typically, the variation across a single wafer is tightly controlled. Figure 9-6 shows the  $A_{OL}$  magnitude of the OPA855-Q1 as a function of process variation over time. The results show the  $A_{OL}$  curve for the nominal process corner and the variation one standard deviation from the nominal. The simulated results show less than  $2^\circ$  of phase-margin difference within a standard deviation of process variation in a noise gain of 7 V/V.

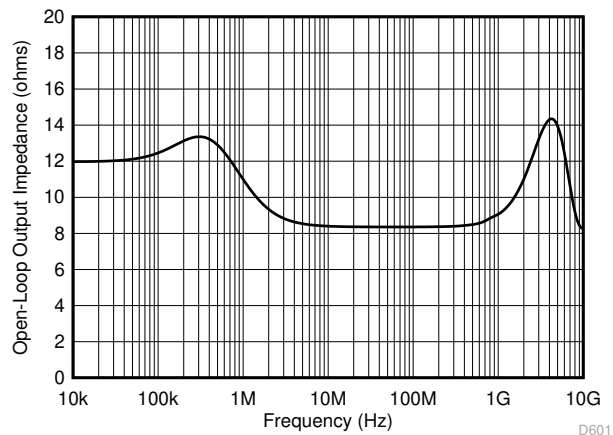
One of the primary applications for the OPA855-Q1 is as a high-speed transimpedance amplifier (TIA). The low-frequency noise gain of a TIA is 0 dB (1 V/V). At high frequencies the ratio of the total input capacitance and the feedback capacitance set the noise gain. To maximize the TIA closed-loop bandwidth, the feedback capacitance is typically smaller than the input capacitance, which implies that the high-frequency noise gain is greater than 0 dB. As a result, op amps configured as TIAs are not required to be unity-gain stable, which makes a decompensated amplifier a viable option for a TIA. [What You Need To Know About Transimpedance Amplifiers – Part 1](#) and [What You Need To Know About Transimpedance Amplifiers – Part 2](#) describe transimpedance amplifier compensation in greater detail.



### 9.3.4 Slew Rate and Output Stage

In addition to wide bandwidth, the OPA855-Q1 features a high slew rate of 2750 V/ $\mu$ s. The slew rate is a critical parameter in high-speed pulse applications with narrow sub-10-ns pulses, such as optical time-domain reflectometry (OTDR) and LIDAR. The high slew rate of the OPA855-Q1 implies that the device accurately reproduces a 2-V, sub-ns pulse edge, as seen in [Figure 7-20](#). The wide bandwidth and slew rate of the OPA855-Q1 make it an excellent amplifier for high-speed signal-chain front ends.

[Figure 9-7](#) shows the open-loop output impedance of the OPA855-Q1 as a function of frequency. To achieve high slew rates and low output impedance across frequency, the output swing of the OPA855-Q1 is limited to approximately 3 V. The OPA855-Q1 is typically used in conjunction with high-speed pipeline ADCs and flash ADCs that have limited input ranges. Therefore, the OPA855-Q1 output swing range coupled with the class-leading voltage noise specification maximizes the overall dynamic range of the signal chain.



**Figure 9-7. Open-Loop Output Impedance ( $Z_{OL}$ ) vs Frequency**

## 9.4 Device Functional Modes

### 9.4.1 Split-Supply and Single-Supply Operation

The OPA855-Q1 can be configured with single-sided supplies or split-supplies as shown in [Figure 11-1](#). Split-supply operation using balanced supplies with the input common-mode set to ground eases lab testing because most signal generators, network analyzers, spectrum analyzers, and other lab equipment typically reference inputs and outputs to ground. In split-supply operation, the thermal pad must be connected to the negative supply.

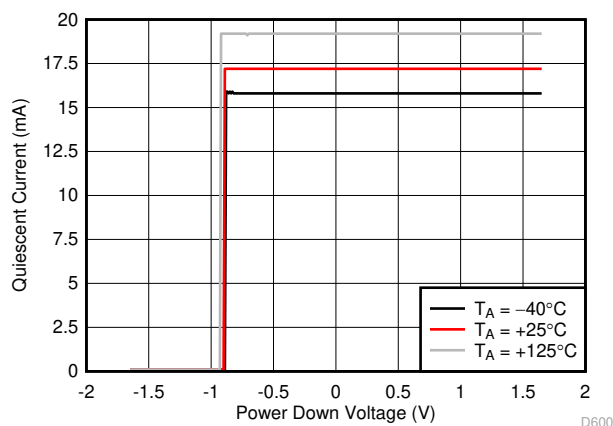
Newer systems use a single power supply to improve efficiency and reduce the cost of the extra power supply. The OPA855-Q1 can be used with a single positive supply (negative supply at ground) with no change in performance if the input common-mode and output swing are biased within the linear operation of the device. In single-supply operation, level shift the DC input and output reference voltages by half the difference between the power supply rails. This configuration maintains the input common-mode and output load reference at midsupply. To eliminate gain errors, the source driving the reference input common-mode voltage must have low output impedance across the frequency range of interest. In this case, the thermal pad must be connected to ground.

### 9.4.2 Power-Down Mode

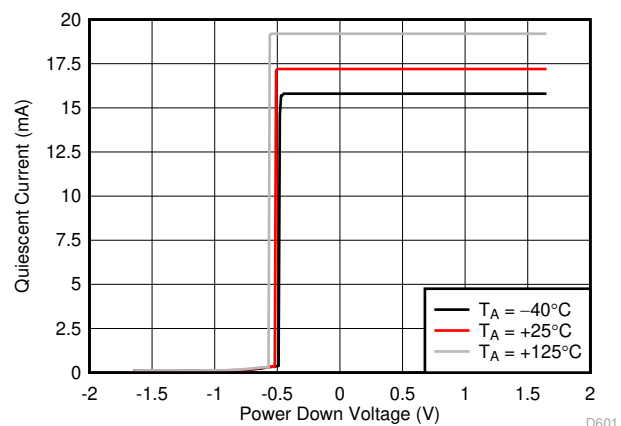
The OPA855-Q1 features a power-down mode to reduce the quiescent current to conserve power. [Figure 7-23](#) and [Figure 7-24](#) show the transient response of the OPA855-Q1 as the  $\overline{\text{PD}}$  pin toggles between the disabled and enabled states.

The  $\overline{\text{PD}}$  disable and enable threshold voltages are with reference to the negative supply. If the amplifier is configured with the positive supply at 3.3 V and the negative supply at ground, then the disable and enable threshold voltages are 0.65 V and 1.8 V, respectively. If the amplifier is configured with  $\pm 1.65$  V supplies, then the threshold voltages are at  $-1$  V and 0.15 V. If the amplifier is configured with  $\pm 2.5$  V supplies, then the threshold voltages are at  $-1.85$  V and  $-0.7$  V.

[Figure 9-8](#) shows the switching behavior of a typical amplifier as the  $\overline{\text{PD}}$  pin is swept down from the enabled state to the disabled state. Similarly, [Figure 9-9](#) shows the switching behavior of a typical amplifier as the  $\overline{\text{PD}}$  pin is swept up from the disabled state to the enabled state. The small difference in the switching thresholds between the down sweep and the up sweep is caused by the hysteresis designed into the amplifier to increase immunity to noise on the  $\overline{\text{PD}}$  pin.



**Figure 9-8. Switching Threshold (PD Pin Swept from High to Low)**



**Figure 9-9. Switching Threshold (PD Pin Swept from Low to High)**

Connecting the  $\overline{\text{PD}}$  pin low disables the amplifier and places the output in a high-impedance state. When the amplifier is configured as a noninverting amplifier, the feedback ( $R_F$ ) and gain ( $R_G$ ) resistor network form a parallel load to the output of the amplifier. To protect the input stage of the amplifier, the OPA855-Q1 uses internal, back-to-back protection diodes between the inverting and noninverting input pins as [Figure 9-3](#) shows. In the power-down state, if the differential voltage between the input pins of the amplifier exceeds a diode voltage drop, an additional low-impedance path is created between the noninverting input pin and the output pin.

## 10 Application, Implementation, and Layout

### 注

以下のアプリケーション情報は、TI の製品仕様に含まれるものではなく、TI ではその正確性または完全性を保証いたしません。個々の目的に対する製品の適合性については、お客様の責任で判断していただくことになります。お客様は自身の設計実装を検証しテストすることで、システムの機能を確認する必要があります。

### 10.1 Application Information

The OPA855-Q1 offers very high-bandwidth, high slew-rate, low noise, and better than  $-60$  dBc of distortion performance at frequencies of up to 100 MHz. These features make this device an excellent low-noise amplifier in high-speed data acquisition systems.

### 10.2 Typical Application

図 10-1 shows the OPA855-Q1 configured as a transimpedance amplifier (U1) in a wide-bandwidth, optical front-end system. A second amplifier, the OPA859-Q1, configured as a unity-gain buffer (U2) sets a dc offset voltage to the THS4520. The THS4520 is used to convert the single-ended transimpedance output of the OPA855-Q1 into a differential output signal. The THS4520 drives the input of the ADS54J64, 14-bit, 1-GSPS analog-to-digital converter (ADC) that digitizes the analog signal.

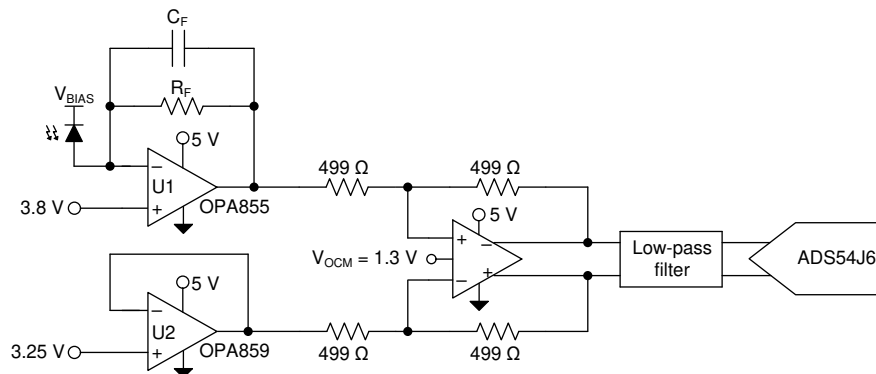


図 10-1. OPA855-Q1 as a TIA in an Optical Front-End System

#### 10.2.1 Design Requirements

The objective is to design a low noise, wideband optical front-end system using the OPA855-Q1 as a transimpedance amplifier. The design requirements are:

- Amplifier supply voltage: 5 V
- TIA common-mode voltage: 3.8 V
- THS4520 gain: 1 V/V
- ADC input common-mode voltage: 1.3 V
- ADC analog differential input range:  $1.1 V_{PP}$

#### 10.2.2 Detailed Design Procedure

The closed-loop bandwidth of a transimpedance amplifier is a function of the following:

1. The total input capacitance ( $C_{IN}$ ). This total includes the photodiode capacitance, the input capacitance of the amplifier (common-mode and differential capacitance) and any stray capacitance from the PCB.
2. The op amp gain bandwidth product (GBWP).
3. The transimpedance gain ( $R_F$ ).

Figure 10-1 shows the OPA855-Q1 configured as a TIA, with the avalanche photodiode (APD) reverse biased so that the APD cathode is tied to a large positive bias voltage. In this configuration, the APD sources current into the op amp feedback loop so that the output swings in a negative direction relative to the input common-mode voltage. To maximize the output swing in the negative direction, the OPA855-Q1 common-mode voltage is set close to the positive limit; only 1.2 V from the positive supply rail. The feedback resistance ( $R_F$ ) and the input capacitance ( $C_{IN}$ ) form a zero in the noise gain that results in instability if left unchecked. To counteract the effect of the zero, a pole is inserted into the noise gain transfer function by adding the feedback capacitor ( $C_F$ ).

The *Transimpedance Considerations for High-Speed Amplifiers Application Report* discusses theories and equations that show how to compensate a transimpedance amplifier for a particular transimpedance gain and input capacitance. The bandwidth and compensation equations from the application report are available in an Excel® calculator. *What You Need To Know About Transimpedance Amplifiers – Part 1* provides a link to the calculator.

The equations and calculators in the referenced application report and blog posts are used to model the bandwidth ( $f_{-3dB}$ ) and noise ( $I_{RN}$ ) performance of the OPA855-Q1 configured as a TIA. The resultant performance is shown in Figure 10-2 and Figure 10-3. The left-side Y-axis shows the closed-loop bandwidth performance, whereas the right side of the graph shows the integrated input-referred noise. The noise bandwidth to calculate  $I_{RN}$  for a fixed  $R_F$  and  $C_{PD}$  is set equal to the  $f_{-3dB}$  frequency. Figure 10-2 shows the amplifier performance as a function of photodiode capacitance ( $C_{PD}$ ) for  $R_F = 6\text{ k}\Omega$  and  $12\text{ k}\Omega$ . Increasing  $C_{PD}$  decreases the closed-loop bandwidth. To maximize bandwidth, make sure to reduce any stray parasitic capacitance from the PCB. The OPA855-Q1 is designed with 0.8 pF of total input capacitance to minimize the effect of stray capacitance on system performance. Figure 10-3 shows the amplifier performance as a function of  $R_F$  for  $C_{PD} = 1.5\text{ pF}$  and  $2.5\text{ pF}$ . Increasing  $R_F$  results in lower bandwidth. To maximize the signal-to-noise ratio (SNR) in an optical front-end system, maximize the gain in the TIA stage. Increasing  $R_F$  by a factor of X increases the signal level by X, but only increases the resistor noise contribution by  $\sqrt{X}$ , thereby improving SNR. Since the OPA855-Q1 is a bipolar input amplifier, increasing the feedback resistance increases the voltage offset due to the bias current and also increases the total output noise due to increased noise contributions from the amplifiers current noise.

The OPA859-Q1 configured as a unity-gain buffer drives a DC offset voltage of 3.25 V into the lower half of the THS4520. To maximize the dynamic range of the ADC, the OPA855-Q1 and OPA859-Q1 drive a differential common-mode of 3.8 V and 3.25 V respectively into the THS4520. The dc offset voltage of the buffer amplifier can be derived using Equation 1.

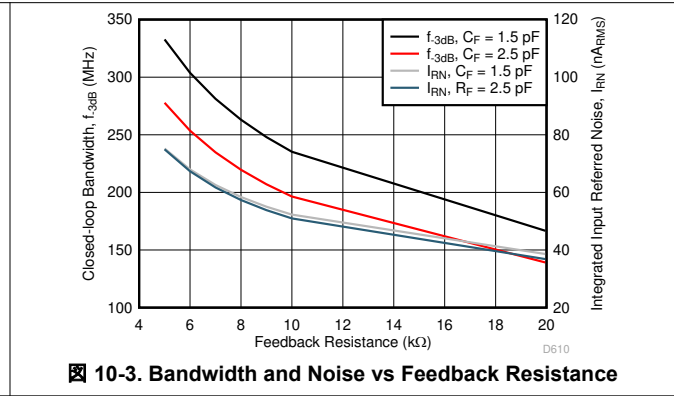
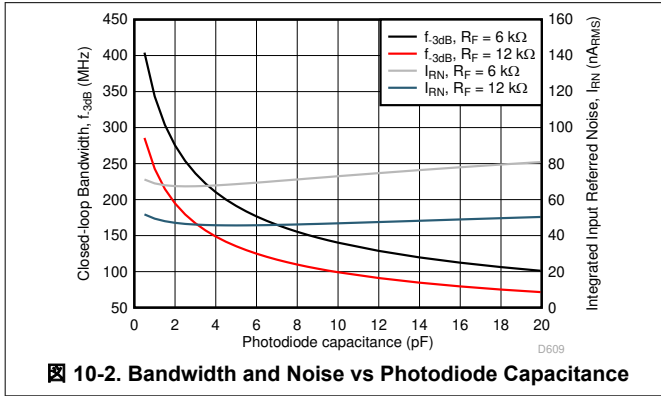
$$V_{BUF\_DC} = V_{TIA\_CM} - \left( \frac{1}{2} \times \frac{V_{ADC\_DIFF\_IN}}{\left( \frac{R_F}{R_G} \right)} \right) \quad (1)$$

where

- $V_{TIA\_CM}$  is the common-mode voltage of the TIA (3.8 V)
- $V_{ADC\_DIFF\_IN}$  is the differential input voltage range of the ADC (1.1 V<sub>PP</sub>)
- $R_F$  and  $R_G$  are the feedback resistance (499  $\Omega$ ) and gain resistance (499  $\Omega$ ) of the THS4520 differential amplifier

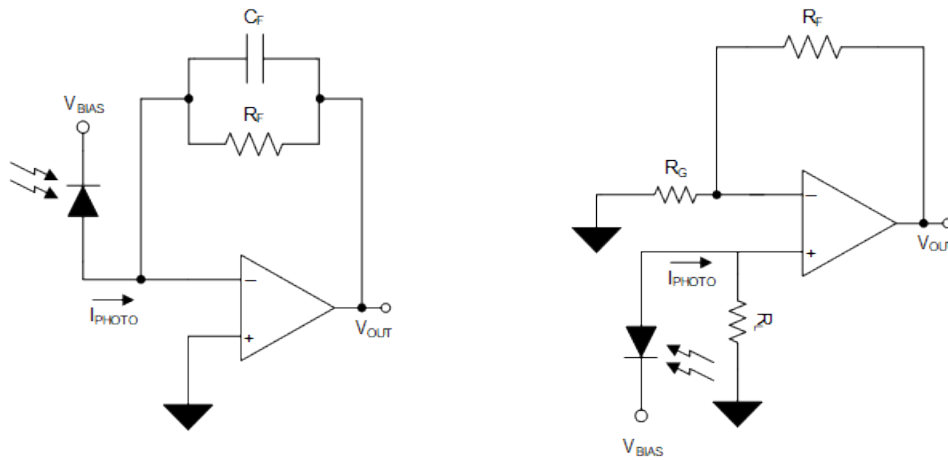
The low-pass filter between the THS4520 and the ADC54J64 minimizes high-frequency noise and maximizes SNR. The ADC54J64 has an internal buffer that isolates the output of the THS4520 from the ADC sampling-capacitor input, so a traditional charge bucket filter is not required.

### 10.2.3 Application Curves



### 10.3 Typical Application

There are two main approaches for current to voltage conversion. One uses a non-inverting voltage feedback amplifier in combination with a shunt resistor to first convert current and then further amplify the optical signal. The other approach configures an amplifier for transimpedance applications which combines both steps into one. [10-4](#) shows the standard configuration for both approaches.

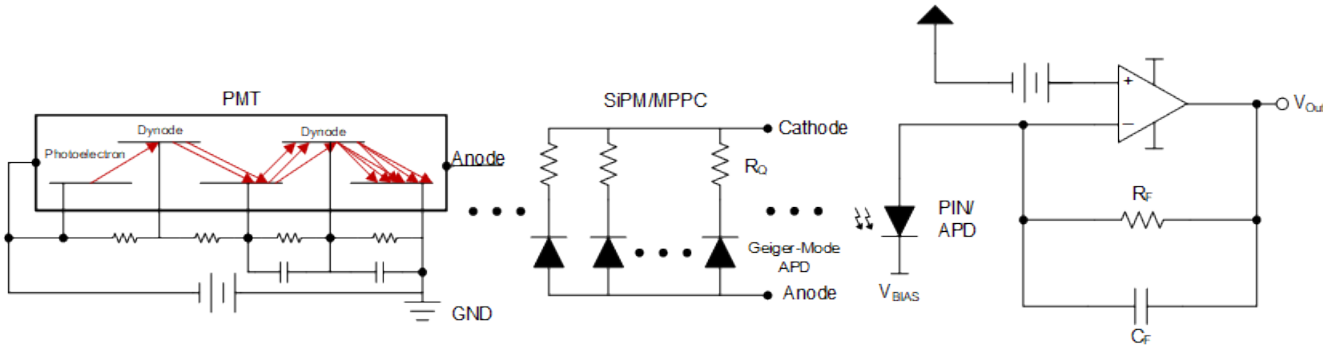


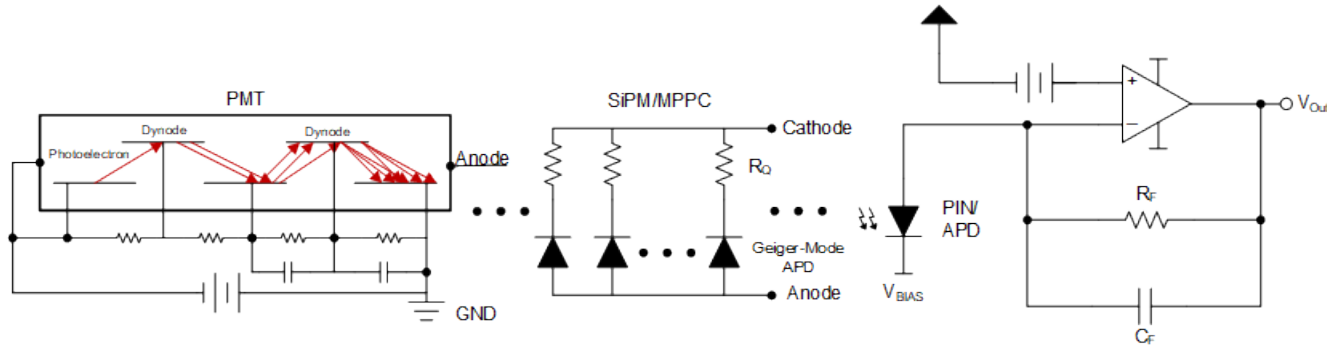
**10-4. Transimpedance Amplifier vs. Voltage Feedback Amplifier**

Both configurations provide a low output impedance stage which provides the ability to interface with various types of loads. However, the non-inverting option comes with a few disadvantages. TIA's input impedance is near zero, since the amplifier keeps the voltage at the inverting input node at the same potential as the non-inverting input node. While the VFB's input impedance is equal to the shunt resistor  $R_L$ . In the case of the VFB amplifier, the signal response will be slowed due to a large time constant created by the shunt resistor and capacitor. Also, the linearity of the photodetector can suffer, especially for higher detector currents due to the varying voltage bias produced at the shunt resistor. And, since the voltage bias of the photodetector is no longer constant for all detector currents, the diode's internal capacitance will vary. Using a TIA, the voltage bias remains constant at the voltage set by the non-inverting node, and can provide level shifting to the signal which is especially useful for single-supply configurations.

**OPA855-Q1**

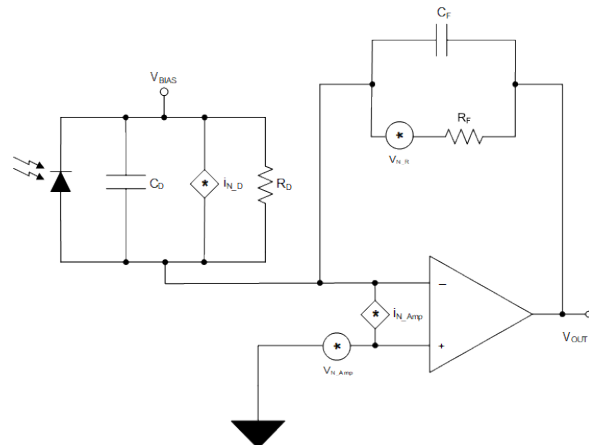
JAJSKI3B – FEBRUARY 2021 – REVISED JANUARY 2023

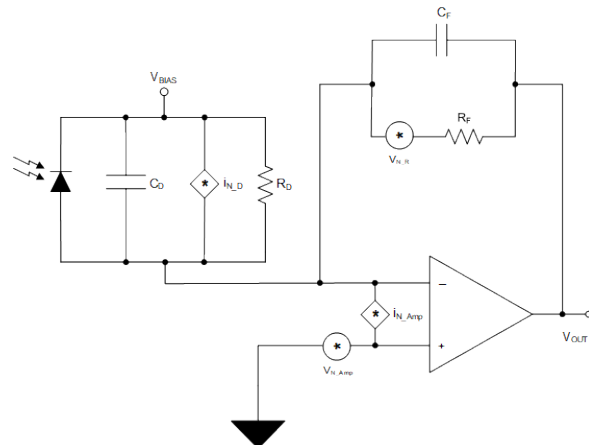
OPA855 offers 8 GHz of gain bandwidth, high slew-rate, and low noise which makes this device suitable for a wide range of photodetectors.  shows the OPA855 configured as a transimpedance amplifier (TIA) in a wide-bandwidth, optical front-end system. Various types of optical sensors can be used as an optical input to the amplifier: photodiode (PD), avalanche photodiode (APD), Photomultiplier Tube (PMT), and Multi-Pixel Photon Counter (MPPC) or known as Solid-State Photomultiplier (SiPM). Optical detection applications have commonly used APDs, but ultra-low light source detection has been a challenge in past solutions. With technologies such as PMTs and MPPCs, their high intrinsic gain, while maintaining a fast output, requires a low noise, high-speed interface. The OPA855 can accommodate for these optical challenges and would work equally as well in these applications.



**Figure 10-5. Transimpedance Amplifier with APD or SiPM/MPPC or PMT Inputs**

Transimpedance applications require low voltage and current noise for optimal system performance. Due to its high input impedance structure, the OPA855 has a great balance between low input-referred voltage noise and current noise which is consistent over frequency. Overall, the amplifier noise should have minimal impact to the total noise of the application. We would need to examine the total input referred noise to the optical sensor.

Noise sources in optical sensors vary especially when introducing gain and photon paralleling. Optical power, gain, and applied reverse bias are the main characteristics that will affect signal to noise ratio. Standard photodiodes contribute the lowest noise at the highest quantum efficiency. Internal to photodiodes, noise sources include shot and thermal. Shot noise is a random occurrence of photodetection which arises in periods of both light and dark. Dark current is noise that occurs in the absence of an optical source which can be included with shot noise. And, thermal noise originates from the shunt resistance internal to the diode. At the lower signal levels, shot noise will dominate.  shows an example of the noise sources present in a transimpedance amplifier circuit. The total TIA noise is the root sum square of each component within the system: photodiode noise, amplifier current noise, amplifier voltage noise, and feedback resistor noise.



**Figure 10-6. Photodiode and TIA Noise Model**



Interfacing with APDs is similar to interfacing with PIN PDs, but APDs have additional noise factors due to its internal gain. APDs have increased shot noise and the addition of a multiplication excess noise factor. Decreasing capacitance, increasing diode shunt resistance, and decreasing reverse voltage bias applied to the APD decreases noise at the expense of response time. MPPCs' total noise is comparable to APDs, but with differing noise sources. This optical sensor includes digital-like noise factors such as dark count rate, after pulsing, and optical crosstalk due to its paralleling gain cells. For PMTs, dark count rate is lower. In general, PMTs' total noise is comparable to PDs' with an internal gain comparable to APDs'. However, PMTs have the lowest quantum efficiency of the optical sensor space.

### 10.3.1 Design Requirements

The objective is to design a low noise, wideband optical front-end system using a diverse selection of optical sensors: PD, APD, PMT, and MPPC with the OPA855 as the TIA. The approximate design requirements for each type of photodetector are listed in [表 10-1](#).

**表 10-1. Design Parameters**

Sensor	Intrinsic Gain (A/W)	Reverse Bias (V)	Input Capacitance (pF)	Target Bandwidth (MHz)	Transimpedance Gain R <sub>F</sub> (kΩ)	Total Optical Gain (kV/W)
PD (PIN)	1	30	3	15	100	100
APD	100	150	1	200	10	1000
PMT	1×10 <sup>6</sup>	1250	50	100	1	1×10 <sup>6</sup>
MPPC (SiPM)	5×10 <sup>5</sup>	50	100	10	1	5×10 <sup>5</sup>

### 10.3.2 Detailed Design Procedure

The OPA855 is decompensated and requires a high-frequency gain of 7V/V or greater to be stable. Using the OPA855 in lower gains results in increased peaking and potential instability. Decompensated amplifiers are advantageous in TIA applications due the inherent characteristics of a TIA design. The zero and pole pair introduced by the input and feedback capacitances along with the feedback resistor increases the noise gain until it flattens out at a high gain with a magnitude shown in [式 2](#).


$$1 + \frac{C_{TOT}}{C_F} \tag{2}$$

where

- C<sub>TOT</sub> is the total input capacitance of the amplifier (includes photodetector capacitance and the common-mode and differential input capacitance of the amplifier)
- C<sub>F</sub> is the feedback capacitance of the amplifier

A decompensated amplifier allows for benefits such as increased open loop gain, increased bandwidth, increased slew rate, and lower input referred noise for the same quiescent current relative to its unity gain stable counterpart.

Similar to the concept described in [セクション 10.2.2](#), the rise time and the internal capacitance of the photodetector will determine the closed-loop bandwidth. Both the closed-loop bandwidth and the transimpedance gain (R<sub>F</sub>) determine the necessary gain bandwidth (GBWP) of the amplifier. [表 10-1](#) shows the standard photodiode characteristics based on type of photodetector. Target values such as the system bandwidth and gain were calculated using these concepts with the chosen photodiode characteristics. Detailed explanations and equations can be found in the application reports discussed in [セクション 10.2.2](#).

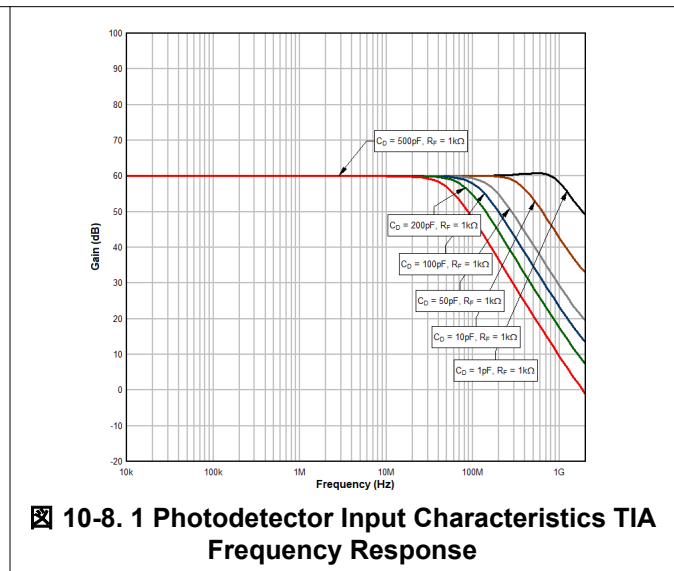
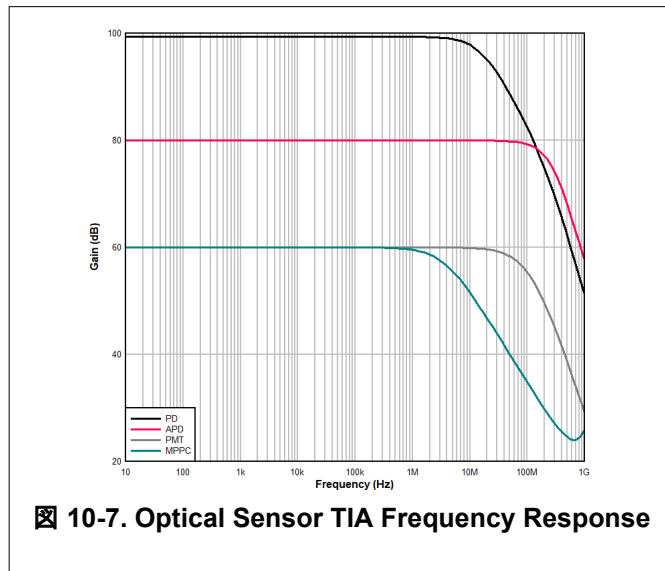
 [10-5](#) shows the OPA855 configured as a TIA, with the optical sensor reverse biased so that the diode cathode is tied to the positive bias voltage. A RC filter can be used at the reverse bias node as a low pass filter to eliminate high frequency noise. The internal capacitance of photodetectors will vary based on sensor type and the value of the applied reverse voltage. The setups between each sensor type will slightly differ, but the connection to the amplifier will be consistent throughout.

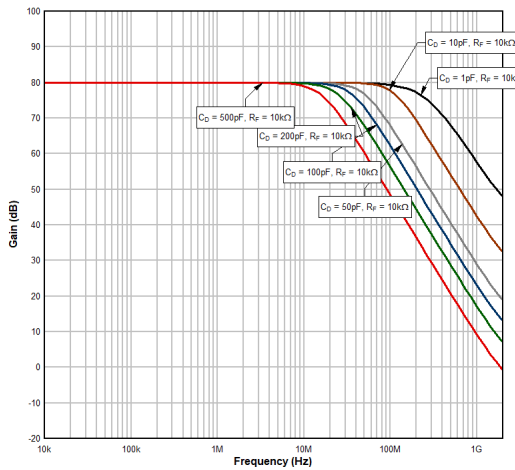
The difference between each optical design comprise choosing the optimal feedback resistor to set the transimpedance gain and the optimal feedback capacitance to compensate for the additional input capacitance. With an 8 GHz GBWP, the OPA855 can accommodate very fast rise times to pair with emerging optical sensors to meet the industry’s demands for faster optical detections.

The DC voltage bias at the non-inverting input of the OPA855 shown in [Figure 10-5](#) will set the common-mode voltage which will maximize the output swing of the system in mismatched power supply configurations. The DC bias is critical to avoid clipping or saturating the output stage of the amplifier. For the later stages, a fully differential amplifier (FDA) can be used to convert single-ended signal to a differential input to drive an analog-to-digital converter (ADC) as shown in [Figure 10-1](#). Higher order filters can be added between the FDA and ADC for system noise reduction.

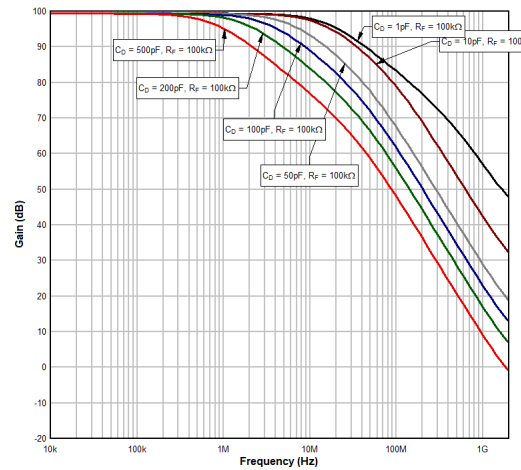
[Figure 10-7](#) shows the performance that results from the design parameters provided in [Table 10-1](#), and [Figure 10-8](#) shows the general trends. Both figures depict the closed-loop bandwidth performance of the OPA855 configured as a TIA using different sensor types and gain configurations. [Figure 10-7](#) shows the amplifier performance based on the chosen photodetector from the values provided in [Table 10-1](#). PMTs and MPPCs have higher intrinsic gains, but requires a wide bandwidth to compensate for its higher internal capacitance. Whereas, PDs and APDs require higher gain configurations to achieve similar output voltage levels. The OPA855 is able to provide the bandwidth to accommodate for both optical challenges. [Figure 10-7](#) shows a generic view of the amplifier performance as a function of sensor capacitance and transimpedance gain. Increasing the feedback resistance and input capacitance, decreases the closed-loop bandwidth. Throughout the trends, the amount of change in closed-loop bandwidth is consistent in relationship of the changes in both terms. A photodiode capacitance of 1 pF and a feedback resistance of 1 kΩ results in a very high closed-loop system bandwidth of 1.1 GHz.

**10.3.3 Application Curves**





☒ 10-9. 2 Photodetector Input Characteristics TIA Frequency Response

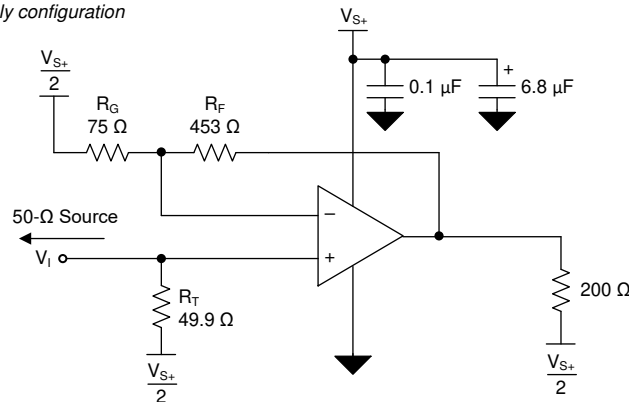


☒ 10-10. 3 Photodetector Input Characteristics TIA Frequency Response

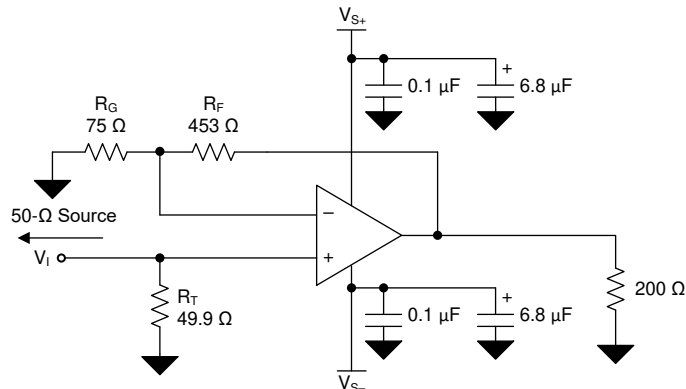
## 11 Power Supply Recommendations

The OPA855-Q1 operates on supplies from 3.3 V to 5.25 V. The OPA855-Q1 operates on single-sided supplies, split and balanced bipolar supplies, and unbalanced bipolar supplies. Because the OPA855-Q1 does not feature rail-to-rail inputs or outputs, the input common-mode and output swing ranges are limited at 3.3-V supplies.

a) Single supply configuration



b) Split supply configuration



☒ 11-1. Split and Single Supply Circuit Configuration

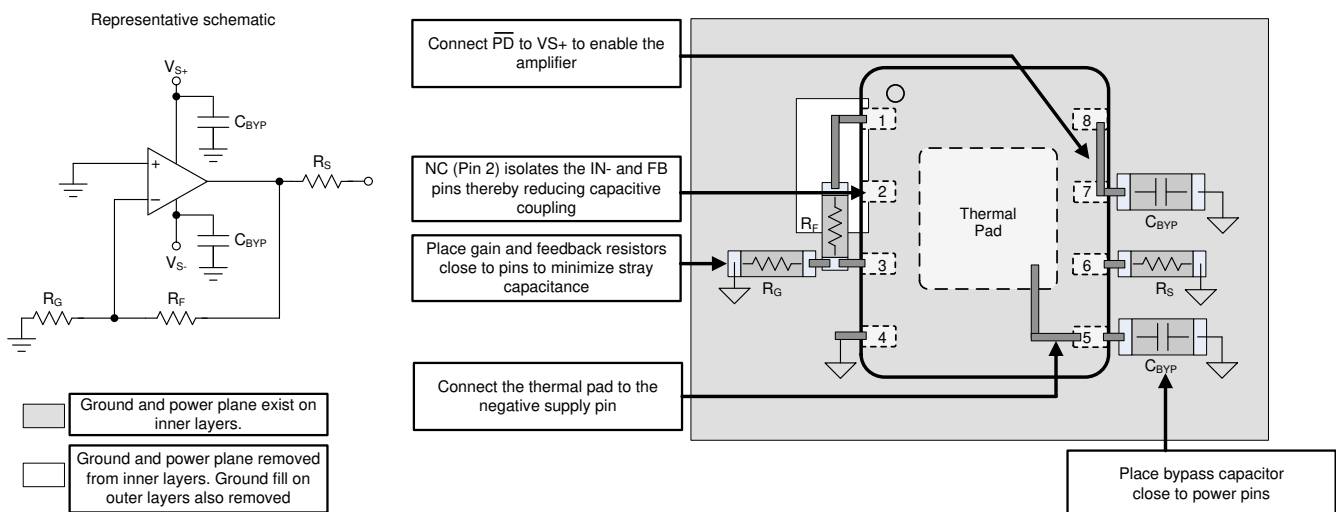
## 12 Layout

### 12.1 Layout Guidelines

Achieving optimum performance with a high-frequency amplifier like the OPA855-Q1 requires careful attention to board layout parasitics and external component types. Recommendations that optimize performance include:

- **Minimize parasitic capacitance from the signal I/O pins to ac ground.** Parasitic capacitance on the output and inverting input pins can cause instability. To reduce unwanted capacitance, cut out the power and ground traces under the signal input and output pins. Otherwise, ground and power planes must be unbroken elsewhere on the board. When configuring the amplifier as a TIA, if the required feedback capacitor is less than 0.15 pF, consider using two series resistors, each of half the value of a single resistor in the feedback loop to minimize the parasitic capacitance from the resistor.
- **Minimize the distance (less than 0.25-in) from the power-supply pins to high-frequency bypass capacitors.** Use high-quality, 100-pF to 0.1- $\mu$ F, C0G and NPO-type decoupling capacitors with voltage ratings at least three times greater than the amplifiers maximum power supplies. This configuration makes sure that there is a low-impedance path to the amplifiers power-supply pins across the amplifiers gain bandwidth specification. At the device pins, do not allow the ground and power plane layout to be in close proximity to the signal I/O pins. Avoid narrow power and ground traces to minimize inductance between the pins and the decoupling capacitors. The power-supply connections must always be decoupled with these capacitors. Larger (2.2- $\mu$ F to 6.8- $\mu$ F) decoupling capacitors that are effective at lower frequency must be used on the supply pins. Place these decoupling capacitors further from the device. Share the decoupling capacitors among several devices in the same area of the printed circuit board (PCB).
- **Careful selection and placement of external components preserves the high-frequency performance of the OPA855-Q1.** Use low-reactance resistors. Surface-mount resistors work best and allow a tighter overall layout. Never use wirewound resistors in a high-frequency application. Because the output pin and inverting input pin are the most sensitive to parasitic capacitance, always position the feedback and series output resistor, if any, as close to the output pin as possible. Place other network components (such as noninverting input termination resistors) close to the package. Even with a low parasitic capacitance shunting the external resistors, high resistor values create significant time constants that can degrade performance. When configuring the OPA855-Q1 as a voltage amplifier, keep resistor values as low as possible and consistent with load driving considerations. Decreasing the resistor values keeps the resistor noise terms low and minimizes the effect of the parasitic capacitance. However, lower resistor values increase the dynamic power consumption because  $R_F$  and  $R_G$  become part of the output load network of the amplifier.

### 12.2 Layout Example



✎ 12-1. Layout Recommendation

When configuring the OPA855-Q1 as a transimpedance amplifier additional care must be taken to minimize the inductance between the avalanche photodiode (APD) and the amplifier. Always place the photodiode on the same side of the PCB as the amplifier. Placing the amplifier and the APD on opposite sides of the PCB increases the parasitic effects due to via inductance. APD packaging can be quite large which often requires the APD to be placed further away from the amplifier than ideal. The added distance between the two device results in increased inductance between the APD and op amp feedback network as shown in [Figure 12-2](#). The added inductance is detrimental to a decompensated amplifiers stability since it isolates the APD capacitance from the noise gain transfer function. The noise gain is given by [Equation 3](#). The added PCB trace inductance between the feedback network increases the denominator in [Equation 3](#) thereby reducing the noise gain and the phase margin. In cases where a leaded APD in a TO can is used inductance should be further minimized by cutting the leads of the TO can as short as possible.

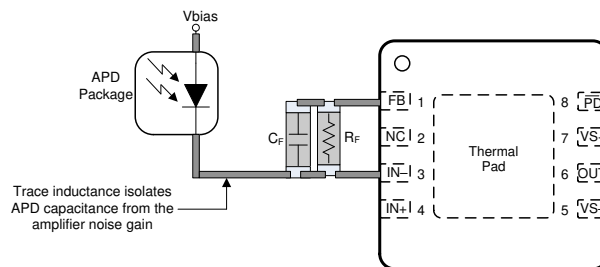
The layout shown in [Figure 12-2](#) can be improved by following some of the guidelines shown in [Figure 12-3](#). The two key rules to follow are:

- Add an isolation resistor  $R_{ISO}$  as close as possible to the inverting input of the amplifier. Select the value of  $R_{ISO}$  to be between  $10\ \Omega$  and  $20\ \Omega$ . The resistor dampens the potential resonance caused by the trace inductance and the amplifiers internal capacitance.
- Close the loop between the feedback elements ( $R_F$  and  $C_F$ ) and  $R_{ISO}$  as close to the APD pins as possible. This ensures a more balanced layout and reduces the inductive isolation between the APD and the feedback network.

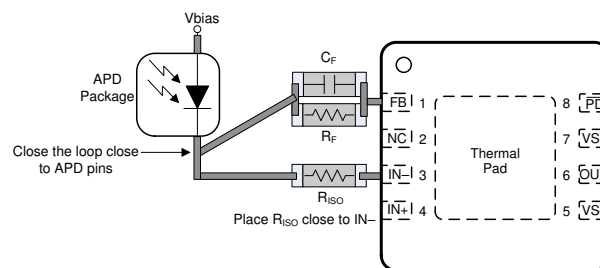
$$\text{Noise Gain} = \left( 1 + \frac{Z_F}{Z_{IN}} \right) \tag{3}$$

where

- $Z_F$  is the total impedance of the feedback network.
- $Z_{IN}$  is the total impedance of the input network.



**Figure 12-2. Non-Ideal TIA Layout**



**Figure 12-3. Improved TIA Layout**

## 13 Device and Documentation Support

### 13.1 Device Support

#### 13.1.1 Development Support

- [LIDAR Pulsed Time of Flight Reference Design](#)
- [LIDAR-Pulsed Time-of-Flight Reference Design Using High-Speed Data Converters](#)
- [Wide Bandwidth Optical Front-end Reference Design](#)

### 13.2 Documentation Support

#### 13.2.1 Related Documentation

For related documentation, see the following:

- Texas Instruments, [OPA855EVM user's guide](#)
- Texas Instruments, [Training Video: High-Speed Transimpedance Amplifier Design Flow](#)
- Texas Instruments, [Training Video: How to Design Transimpedance Amplifier Circuits](#)
- Texas Instruments, [Training Video: How to Convert a TINA-TI Model into a Generic SPICE Model](#)
- Texas Instruments, [Transimpedance Considerations for High-Speed Amplifiers application report](#)
- Texas Instruments, [What You Need To Know About Transimpedance Amplifiers – Part 1](#)
- Texas Instruments [What You Need To Know About Transimpedance Amplifiers – Part 2](#)

### 13.3 Receiving Notification of Documentation Updates

To receive notification of documentation updates, navigate to the device product folder on ti.com. In the upper right corner, click on *Alert me* to register and receive a weekly digest of any product information that has changed. For change details, review the revision history included in any revised document.

### 13.4 サポート・リソース

TI E2E™ サポート・フォーラムは、エンジニアが検証済みの回答と設計に関するヒントをエキスパートから迅速かつ直接得ることができる場所です。既存の回答を検索したり、独自の質問をしたりすることで、設計に必要な支援を迅速に得ることができます。

リンクされているコンテンツは、該当する貢献者により、現状のまま提供されるものです。これらは TI の仕様を構成するものではなく、必ずしも TI の見解を反映したものではありません。TI の [使用条件](#) を参照してください。

### 13.5 Trademarks

TI E2E™ is a trademark of Texas Instruments.

Excel® is a registered trademark of Microsoft Corporation.

すべての商標は、それぞれの所有者に帰属します。

### 13.6 静電気放電に関する注意事項



この IC は、ESD によって破損する可能性があります。テキサス・インスツルメンツは、IC を取り扱う際には常に適切な注意を払うことを推奨します。正しい取り扱いおよび設置手順に従わない場合、デバイスを破損するおそれがあります。

ESD による破損は、わずかな性能低下からデバイスの完全な故障まで多岐にわたります。精密な IC の場合、パラメータがわずかに変化するだけで公表されている仕様から外れる可能性があるため、破損が発生しやすくなっています。

### 13.7 用語集

[テキサス・インスツルメンツ用語集](#) この用語集には、用語や略語の一覧および定義が記載されています。

## 14 Mechanical, Packaging, and Orderable Information

The following pages include mechanical, packaging, and orderable information. This information is the most current data available for the designated devices. This data is subject to change without notice and revision of this document. For browser-based versions of this data sheet, refer to the left-hand navigation.

**PACKAGING INFORMATION**

Orderable Device	Status (1)	Package Type	Package Drawing	Pins	Package Qty	Eco Plan (2)	Lead finish/ Ball material (6)	MSL Peak Temp (3)	Op Temp (°C)	Device Marking (4/5)	Samples
OPA855QDSGRQ1	ACTIVE	WSON	DSG	8	3000	RoHS & Green	NIPDAU	Level-2-260C-1 YEAR	-40 to 125	855Q	Samples

(1) The marketing status values are defined as follows:

**ACTIVE:** Product device recommended for new designs.

**LIFEBUY:** TI has announced that the device will be discontinued, and a lifetime-buy period is in effect.

**NRND:** Not recommended for new designs. Device is in production to support existing customers, but TI does not recommend using this part in a new design.

**PREVIEW:** Device has been announced but is not in production. Samples may or may not be available.

**OBSELETE:** TI has discontinued the production of the device.

(2) **RoHS:** TI defines "RoHS" to mean semiconductor products that are compliant with the current EU RoHS requirements for all 10 RoHS substances, including the requirement that RoHS substance do not exceed 0.1% by weight in homogeneous materials. Where designed to be soldered at high temperatures, "RoHS" products are suitable for use in specified lead-free processes. TI may reference these types of products as "Pb-Free".

**RoHS Exempt:** TI defines "RoHS Exempt" to mean products that contain lead but are compliant with EU RoHS pursuant to a specific EU RoHS exemption.

**Green:** TI defines "Green" to mean the content of Chlorine (Cl) and Bromine (Br) based flame retardants meet JS709B low halogen requirements of <=1000ppm threshold. Antimony trioxide based flame retardants must also meet the <=1000ppm threshold requirement.

(3) MSL, Peak Temp. - The Moisture Sensitivity Level rating according to the JEDEC industry standard classifications, and peak solder temperature.

(4) There may be additional marking, which relates to the logo, the lot trace code information, or the environmental category on the device.

(5) Multiple Device Markings will be inside parentheses. Only one Device Marking contained in parentheses and separated by a "-" will appear on a device. If a line is indented then it is a continuation of the previous line and the two combined represent the entire Device Marking for that device.

(6) Lead finish/Ball material - Orderable Devices may have multiple material finish options. Finish options are separated by a vertical ruled line. Lead finish/Ball material values may wrap to two lines if the finish value exceeds the maximum column width.

**Important Information and Disclaimer:**The information provided on this page represents TI's knowledge and belief as of the date that it is provided. TI bases its knowledge and belief on information provided by third parties, and makes no representation or warranty as to the accuracy of such information. Efforts are underway to better integrate information from third parties. TI has taken and continues to take reasonable steps to provide representative and accurate information but may not have conducted destructive testing or chemical analysis on incoming materials and chemicals. TI and TI suppliers consider certain information to be proprietary, and thus CAS numbers and other limited information may not be available for release.

In no event shall TI's liability arising out of such information exceed the total purchase price of the TI part(s) at issue in this document sold by TI to Customer on an annual basis.

**OTHER QUALIFIED VERSIONS OF OPA855-Q1 :**

- Catalog : [OPA855](#)

NOTE: Qualified Version Definitions:

- Catalog - TI's standard catalog product



**TAPE AND REEL INFORMATION**

**QUADRANT ASSIGNMENTS FOR PIN 1 ORIENTATION IN TAPE**


\*All dimensions are nominal

Device	Package Type	Package Drawing	Pins	SPQ	Reel Diameter (mm)	Reel Width W1 (mm)	A0 (mm)	B0 (mm)	K0 (mm)	P1 (mm)	W (mm)	Pin1 Quadrant
OPA855QDSGRQ1	WSO8	DSG	8	3000	180.0	8.4	2.3	2.3	1.15	4.0	8.0	Q2

**TAPE AND REEL BOX DIMENSIONS**


\*All dimensions are nominal

Device	Package Type	Package Drawing	Pins	SPQ	Length (mm)	Width (mm)	Height (mm)
OPA855QDSGRQ1	WSON	DSG	8	3000	210.0	185.0	35.0

## GENERIC PACKAGE VIEW

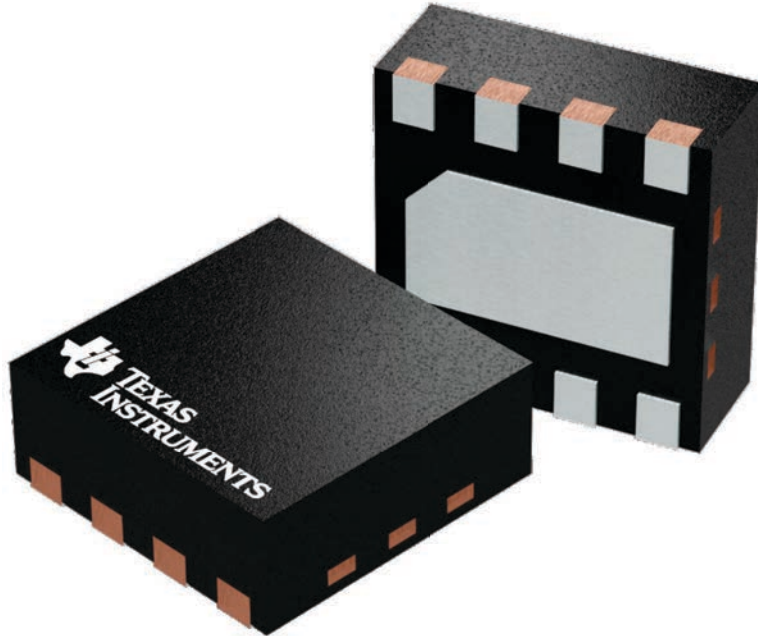
**DSG 8**

**WSON - 0.8 mm max height**

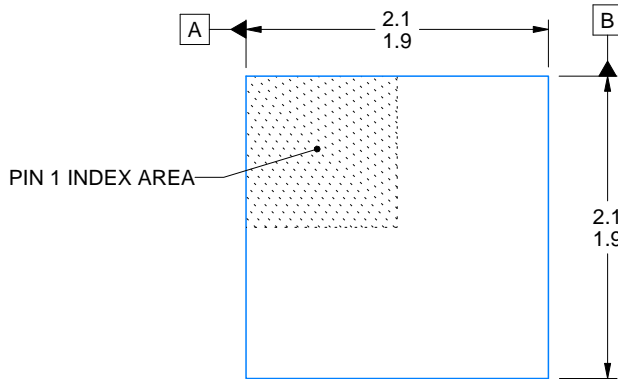
2 x 2, 0.5 mm pitch

PLASTIC SMALL OUTLINE - NO LEAD

This image is a representation of the package family, actual package may vary.  
Refer to the product data sheet for package details.



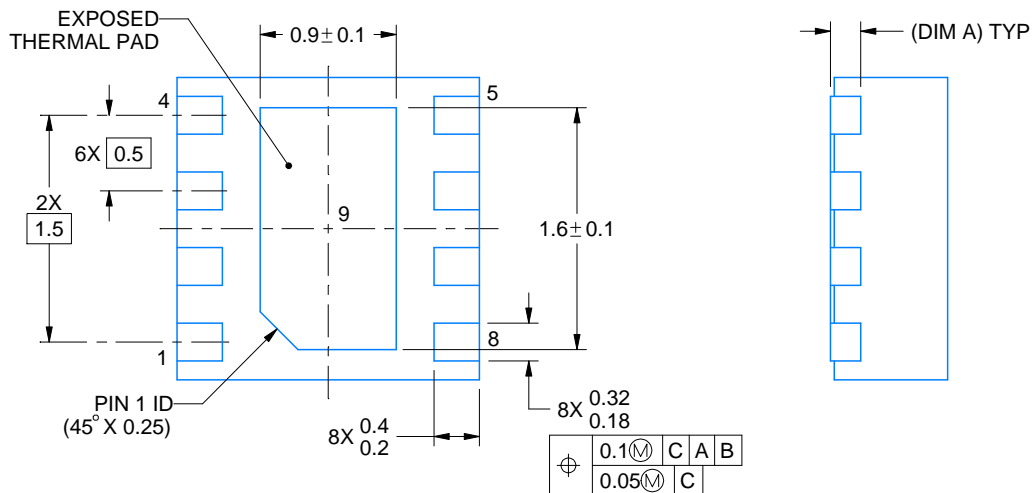
4224783/A



ALTERNATIVE TERMINAL SHAPE TYPICAL



SIDE WALL METAL THICKNESS DIM A	
OPTION 1	OPTION 2
0.1	0.2



4218900/E 08/2022

NOTES:

1. All linear dimensions are in millimeters. Any dimensions in parenthesis are for reference only. Dimensioning and tolerancing per ASME Y14.5M.
2. This drawing is subject to change without notice.
3. The package thermal pad must be soldered to the printed circuit board for thermal and mechanical performance.

# EXAMPLE BOARD LAYOUT

DSG0008A

WSON - 0.8 mm max height

PLASTIC SMALL OUTLINE - NO LEAD



LAND PATTERN EXAMPLE  
SCALE:20X



SOLDER MASK DETAILS

4218900/E 08/2022

NOTES: (continued)

4. This package is designed to be soldered to a thermal pad on the board. For more information, see Texas Instruments literature number SLUA271 ([www.ti.com/lit/slua271](http://www.ti.com/lit/slua271)).
5. Vias are optional depending on application, refer to device data sheet. If any vias are implemented, refer to their locations shown on this view. It is recommended that vias under paste be filled, plugged or tented.

# EXAMPLE STENCIL DESIGN

DSG0008A

WSON - 0.8 mm max height

PLASTIC SMALL OUTLINE - NO LEAD



SOLDER PASTE EXAMPLE  
BASED ON 0.125 mm THICK STENCIL

EXPOSED PAD 9:  
87% PRINTED SOLDER COVERAGE BY AREA UNDER PACKAGE  
SCALE:25X

4218900/E 08/2022

NOTES: (continued)

6. Laser cutting apertures with trapezoidal walls and rounded corners may offer better paste release. IPC-7525 may have alternate design recommendations.

## 重要なお知らせと免責事項

TI は、技術データと信頼性データ (データシートを含みます)、設計リソース (リファレンス・デザインを含みます)、アプリケーションや設計に関する各種アドバイス、Web ツール、安全性情報、その他のリソースを、欠陥が存在する可能性のある「現状のまま」提供しており、商品性および特定目的に対する適合性の黙示保証、第三者の知的財産権の非侵害保証を含むいかなる保証も、明示的または黙示的にかかわらず拒否します。

これらのリソースは、TI 製品を使用する設計の経験を積んだ開発者への提供を意図したものです。(1) お客様のアプリケーションに適した TI 製品の選定、(2) お客様のアプリケーションの設計、検証、試験、(3) お客様のアプリケーションに該当する各種規格や、その他のあらゆる安全性、セキュリティ、規制、または他の要件への確実な適合に関する責任を、お客様のみが単独で負うものとし、

上記の各種リソースは、予告なく変更される可能性があります。これらのリソースは、リソースで説明されている TI 製品を使用するアプリケーションの開発の目的でのみ、TI はその使用をお客様に許諾します。これらのリソースに関して、他の目的で複製することや掲載することは禁止されています。TI や第三者の知的財産権のライセンスが付与されている訳ではありません。お客様は、これらのリソースを自身で使用した結果発生するあらゆる申し立て、損害、費用、損失、責任について、TI およびその代理人を完全に補償するものとし、TI は一切の責任を拒否します。

TI の製品は、[TI の販売条件](#)、または [ti.com](https://www.ti.com) やかかる TI 製品の関連資料などのいずれかを通じて提供する適用可能な条項の下で提供されています。TI がこれらのリソースを提供することは、適用される TI の保証または他の保証の放棄の拡大や変更を意味するものではありません。

お客様がいかなる追加条項または代替条項を提案した場合でも、TI はそれらに異議を唱え、拒否します。

郵送先住所 : Texas Instruments, Post Office Box 655303, Dallas, Texas 75265  
Copyright © 2023, Texas Instruments Incorporated