

# On Outage Analysis in Overlay CCRN with RF Energy Harvesting and Co-channel Interference

Sutanu Ghosh (✉ [sutanu99@gmail.com](mailto:sutanu99@gmail.com))

Institute of Engineering and Management <https://orcid.org/0000-0001-5660-7109>

Santi Maity

Indian Institute of Engineering Science and Technology

Tamaghna Acharya

Indian Institute of Engineering Science and Technology

---

## Research Article

**Keywords:** Simultaneous wireless information and power transfer, co-channel interference, cooperative cognitive radio network, multi-antenna system

**Posted Date:** June 27th, 2022

**DOI:** <https://doi.org/10.21203/rs.3.rs-1145636/v2>

**License:** © ⓘ This work is licensed under a Creative Commons Attribution 4.0 International License.

[Read Full License](#)

---

# On Outage Analysis in Overlay CCRN with RF Energy Harvesting and Co-channel Interference

Sutanu Ghosh<sup>1\*</sup>, Santi P. Maity<sup>2</sup> and Tamaghna Acharya<sup>3</sup>

<sup>1\*</sup>Electronics and Communication Engineering, Institute of Engineering and Management, Salt Lake, Kolkata, 700091, India.

<sup>2</sup>Department of Information Technology, Indian Institute of Engineering Science and Technology, Shibpur, Howrah, 711103, India.

<sup>3</sup>Department of Electronics and Telecommunication Engineering, Indian Institute of Engineering Science and Technology, Shibpur, Howrah, 711103, India.

\*Corresponding author(s). E-mail(s): [sutanu99@gmail.com](mailto:sutanu99@gmail.com);  
Contributing authors: [santipmaity@it.iiests.ac.in](mailto:santipmaity@it.iiests.ac.in);  
[tamaghna\\_acharya@yahoo.com](mailto:tamaghna_acharya@yahoo.com);

## Abstract

This paper studies the effect of co-channel interference (CCI) on energy harvesting (EH) from radio frequency (RF) signal and the performance of reliable communication. An overlay mode of cooperative cognitive radio network (CCRN) model is considered that may support one-way communication between primary users (PUs) and two-way communications between secondary users (SUs). Closed form PU and SU outage expressions are derived in presence of CCI at two SU nodes and multiple antennas at PU transmitter. The absolute impact of CCI on the performance of the proposed system is analysed with respect to various parameters like, transmission power, interference-to-noise-ratio (INR), power splitting factor, number of CCI sources and number of antennas. About 20% and 15% improvements are achieved for PU and SU outage using two antennas compared to single antenna system model.

**Keywords:** Simultaneous wireless information and power transfer, co-channel interference, cooperative cognitive radio network, multi-antenna system.

# 1 Introduction

Despite the remarkable developments over the last two decades, wireless networks still coexist with various challenging issues like, the area of coverage, scarcity of spectrum resources, reliable data transmission, interference from different co-channel interferers [1], lack of energy back-ups for wireless nodes etc. Cooperative communication using relaying technique is one of the most useful solutions to enhance the area of coverage, reliable communication and to minimize various sources of interferences [2]. In addition to that, cognitive radio networks (CRNs) [3] have emerged as a promising network architecture to address the issue of spectrum scarcity using spectrum sharing techniques. Various spectrum sharing modes are popularly known as interweave, underlay and overlay [4]. Two nearest nodes can access licensed spectrum using interweave mode of spectrum sharing in absence of primary users (PUs). In underlay mode of spectrum sharing, both PU and secondary users (SUs) can communicate simultaneously maintaining a constraint of interference due to SUs communication on the transmission of PU signals should be below a maximum threshold limit. In overlay mode of spectrum sharing, SUs can access PUs spectrum to send their signals, in return of that they need to perform like relay node between two or more PU nodes. Co-operative CRNs (CCRN) [5] have been found as a prominent system architecture to address some of above mentioned challenging issues specifically, scarcity of spectrum resources and network lifetime along with the sustainable operation, leveraging the growth of CR enabled spectrum sharing communication and simultaneous wireless information and power transfer (SWIPT) [6]-[8].

Two-way relay based cooperative communication along with overlay mode of CRN can be developed to serve two simultaneous communication sessions through the common access of licensed spectrum by SU nodes. This framework is most useful for internet-of-things (IoT) [9] network driven by device-to-device (D2D) [10] based application in massive machine-type communications (mMTC) over the available spectrum of cellular network [11]. In addition to that in cellular network, it is seen that co-channel interference (CCI) from different interferers have dual effect on SWIPT enabled one-way or two-way relaying. It shows its bad effect in form of interference, leading to deterioration on information transmission rate of relay node. At same network, CCI can purposely be used as a part of source of energy harvesting (EH) to empower the relay nodes. In the existing work, decode-and-forward (DF) relaying mechanism [12]-[13] is studied to analyse the network performance of RF-EH enabled one-way SU communication considering both good and bad impacts of interference [14]-[16]. SU outage performance along with ergodic capacity is analysed in [14] for underlay mode of CCRN considering both delay-tolerant and delay-limited transmission. Dual impacts of CCI is studied in [15] using power splitting (PS) [17] and time switching (TS) [18] protocols to investigate the performance of IoT network over cellular spectrum. The authors of [16] also consider the influence of CCI on radio frequency (RF) EH enabled overlay

mode of CCRN. In [16], three independent transmission slots are considered for one-way PU and one-way SU communication.

None of the above mentioned studies have shown the dual effects of CCI on the reliability of SWIPT enabled two-way SU communications. Furthermore, the issue of multi-antenna transmission is a key feature of modern wireless communication (i.e, 5G/6G applications) has not yet been investigated in above studies. Additionally, the utilization of pre-assigned time slot for EH is found to be inefficient scheme [19]. Instead of that, energy and information transmission at the same time slot applying hybrid power-time switching relaying (HPTSR) protocol [20] is more effective to obtain high achievable throughput. Moreover, Nakagami fading is adopted in the open literature for more efficient modelling of RF EH [21].

Motivated by the above mentioned issues, the current study highlights the effect of CCI on the system reliability of a SWIPT enabled multi-antenna model with spectrum sharing communication over Nakagami fading channels. The proposed model adopts HPTSR protocol. As Compared to [16], this work studies the system performance of RF-EH enabled one-way PU and two-way SU communications in presence of multiple CCIs at SU nodes and multiple antennas at PU transmitter. The main contributions of the work are summarised as below.

- A three-phase overlay mode of CCRN frame structure is proposed for one-way PU and two-way SU communications using HPTSR protocol in presence multiple CCI.
- Both the analytical expressions of PU and SU outage are derived.
- Impacts of power sharing factor, PS factor and power level of multiple CCI on the performance of the proposed system are shown through simulation results and the effect of multiple antennas on the system performance is also shown in the results.

The meaning of various symbols used in signal description is listed in Table-1. The rest portions of this paper are organized in following ways. The detail description of system model and protocol is given in Section 2. PU and SU outage derivations are given in Section 3. simulation results are provided in Section 4 and in Section 5, paper is finally concluded.

## 2 System Model and Protocol Description

As shown in Fig. 1, an overlay mode of CCRN model is adopted that enables one-way PU communication between PU transmitter ( $PU_T$ ) and PU receiver ( $PU_R$ ) and two-way SU communications between  $SU_1$  and  $SU_2$ . Due to absence of line-of-sight between PU nodes,  $PU_T$  requires the cooperation from the nearest secondary nodes to relay its information to the  $PU_R$ . Eventually, SU nodes can share the PU spectrum to send its own data for the necessary communication purpose.  $PU_T$  is assumed to have multiple antennas while SU nodes and  $PU_R$  are associated with single antenna. It is further assumed that

**Table 1** Symbols and Meaning

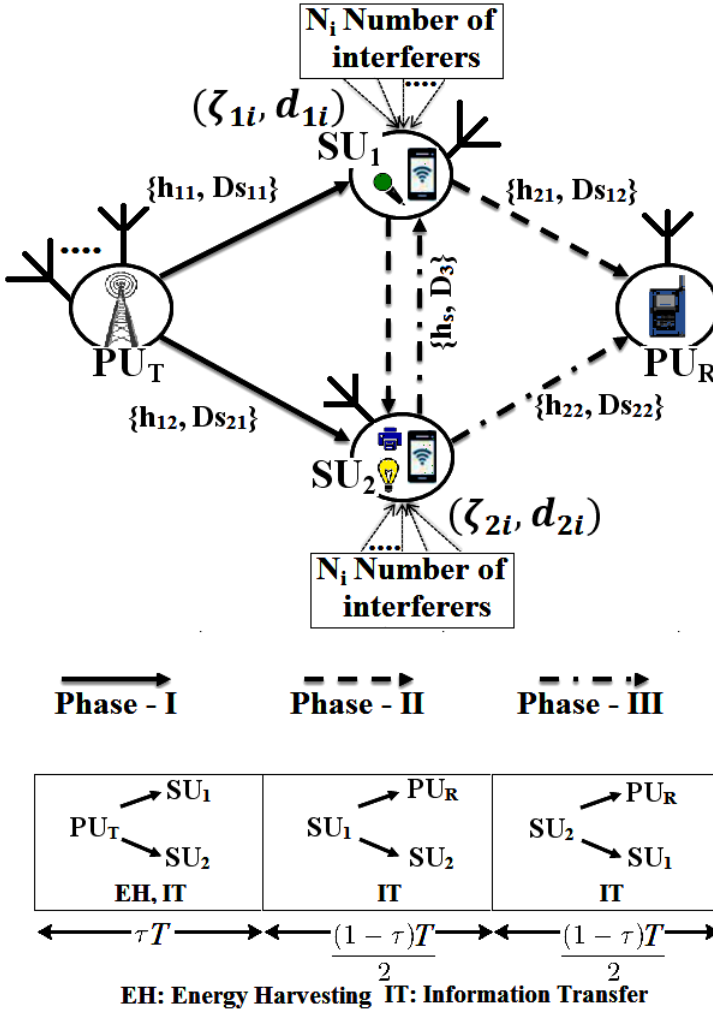
Symbols	Definitions
$\mathbf{h}_{1j,n}$	Coefficient of link between $\text{PU}_T$ and $\text{SU}_j$ , ( $j \in 1, 2$ )
$h_{2j}$	Coefficient of link between $\text{SU}_j$ and $\text{PU}_R$
$h_s$	Coefficient of link between $\text{SU}_1$ and $\text{SU}_2$
$\zeta_{ji}$	Channel coefficient between the $\text{SU}_j$ and the $i^{\text{th}}$ interferer ( $I_i$ )
$m_k$	Nakagami shaping factor
$D_{sj1}$	Distance between $\text{PU}_T$ - $\text{SU}_j$
$D_{sj2}$	Distance between $\text{SU}_j$ - $\text{PU}_R$
$D_3$	Distance between $\text{SU}_1$ - $\text{SU}_2$
$d_{ji}$	Distance between $\text{SU}_j$ - $I_i$
$n_{pu}, n_{su}$	Received AWGN at PU, SU
$\sigma^2$	AWGN variance
$\tau$	Time allocation for EH
$\rho_j$	PS factor of $\text{SU}_j$
$\nu$	Path loss exponent
$\eta$	RF-to-DC conversion efficiency
$\beta$	Power allocation factor
$P_T$	Transmission power from $\text{PU}_T$ to $\text{SU}_j$
$P_{I_{ji}}$	Transmission power from $I_i$ to $\text{SU}_j$

$\text{PU}_T$  is empowered through its own energy back-up while SU nodes are not self-sufficient in terms of their energy back-up. Therefore, SU nodes are empowered by EH from information carrying RF signals following HPTSR protocol. It is also considered that internally several EH circuits are placed in parallel and therefore, the characteristics of harvesting energy is linear in nature. Different links present in the system may follow Nakagami distribution. The target rate of SU and PU information transmission can be set as  $\mathcal{R}_s$  and  $\mathcal{R}_p$ , respectively.

Let  $\mathbf{h}_{1j,n} = [h_{1j,1}, h_{1j,2}, \dots, h_{1j,N_{pa}}]$ ,  $h_{2j}$  and  $h_s$  ( $j \in 1, 2$ ) be the channel coefficients between  $\text{PU}_T$  and  $\text{SU}_j$ ,  $\text{SU}_j$  and  $\text{PU}_R$ ,  $\text{SU}_1$  and  $\text{SU}_2$ , respectively, where  $\mathbf{h}_{1j,n} \sim \mathcal{CN}(m_k, 1)$  and  $h_{2j}, h_s \sim \mathcal{CN}(m_k, 1)$ .  $\zeta_{ji}$  is the channel coefficient between the  $\text{SU}_j$  and the  $i^{\text{th}}$  interferer ( $I_i$ ), with  $\zeta_{ji} \sim \mathcal{CN}(m_k, 1)$ . Symbol  $m_k$  indicates the Nakagami shaping factor and  $D_{sj1}$ ,  $D_{sj2}$ ,  $D_3$  and  $d_{ji}$  are the distances between  $\text{PU}_T$ - $\text{SU}_j$ ,  $\text{SU}_j$ - $\text{PU}_R$ ,  $\text{SU}_1$ - $\text{SU}_2$  and  $\text{SU}_j$ - $I_i$ , respectively.  $n_{pu} = n_{su} \sim \mathcal{CN}(0, \sigma^2)$  define the additive white Gaussian noise (AWGN) at the receiver of PU and SU nodes and  $\sigma^2$  is used to indicate AWGN variance. It is assumed that necessary channel state information (CSI) is not available at the Primary nodes.

In Phase-I,  $\text{PU}_T$  transmits its signal  $X_{pt}$  to both SU nodes. Both the SU nodes use the received RF signal purposely for EH and information decoding.  $\text{SU}_1$  ( $\text{SU}_2$ ) relays received signal from PU transmitter to PU receiver and at the same time, it transmit its own information  $X_{sj}$  to  $\text{SU}_p$  ( $j \neq p$ ;  $j, p \in 1, 2$ ;  $\&p = 2$  for,  $l = 2$  and  $p = 1$  for,  $l = 3$ ) in Phase-II (III) using its harvested energy in Phase-I. Signal received in Phase-I at  $\text{SU}_j$  from  $\text{PU}_T$  and the interferers is expressed as

$$Y_{\text{SU}_j} = \sum_{n=1}^{N_{pa}} \sqrt{\frac{P_T}{(D_{sj1})^\nu}} h_{1j,n} X_{pt} + \sum_{i=1}^{N_i} \sqrt{\frac{P_{I_{ji}}}{(d_{ji})^\nu}} \zeta_{ji} X_{I_{ji}} + n_{su} \quad (1)$$



**Fig. 1** System model and time frame structure

where  $P_T$  is the transmit power of  $\text{PU}_T$  and  $P_{I_{ji}}$  is the transmit power of  $I_i$ . The symbol  $\nu$  is used to indicate propagation path loss exponent.

As noise power level is very low, therefore, harvesting energy from noise signal is not considered at  $\text{SU}_j$ . Thus, the maximum harvesting energy at  $\text{SU}_j$  can be determined as  $E_j = \eta \rho_j \left( \frac{\sum_{n=1}^{N_{pa}} P_T |h_{1j,n}|^2}{(D_{s_{j1}})^\nu} + \frac{\sum_{i=1}^{N_i} P_{I_{ji}} |\zeta_{ji}|^2}{(d_{ji})^\nu} \right) \tau T$ . The symbol  $\rho_j$  ( $0 < \rho_j < 1$ ) is used to define PS factor of RF EH circuit at  $\text{SU}_j$ . Available harvested power at  $\text{SU}_j$  to broadcast the signal in Phase- $l$  ( $l \in 2, 3$ ) can be expressed as  $P_{jh}^l = \frac{E_j}{(1-\tau)T}$ .  $\eta$  ( $0 < \eta < 1$ ) is energy conversion efficiency of RF EH circuit.  $a = \frac{\eta \rho_j P_T}{(D_{s_{j1}})^\nu} \frac{2\tau}{(1-\tau)}$ ,  $b = \frac{\eta \rho_j P_{I_{ji}}}{(d_{ji})^\nu} \frac{2\tau}{(1-\tau)}$ .

The remaining portion of the received power after EH,  $(1 - \rho_j)P_T$  at  $SU_j$  is applied to decode the received information in Phase-I. Achievable throughput at  $SU_j$  for decoding of PU information in Phase-I is written as

$$R_{SU_j}^{(IP)} = \frac{\tau T}{T} \log_2 \left( 1 + \frac{\sum_{n=1}^{N_{pa}} \frac{(1-\rho_j)P_T}{(D_{sj1})^\nu} |h_{1j,n}|^2}{\frac{\sum_{i=1}^{N_i} (1-\rho_j)P_{I_{ji}} |\zeta_{ji}|^2}{(d_{ji})^\nu} + \sigma^2} \right) \quad (2)$$

where  $\beta P_{jh}^l$  ( $0 < \beta < 1$ ) part of available harvested power at  $SU_j$  is used to send PU information and rest  $(1 - \beta)P_{jh}^l$  part of available power is used to transmit the signal  $X_{sj}$  to  $SU_p$  ( $j, p \in 1, 2$ ).  $SU_j$  can transmit combined signal  $X_{cs}$  and it can be expressed as  $X_{cs} = \sqrt{\beta P_{jh}^l} X_{pt} + \sqrt{(1 - \beta)P_{jh}^l} X_{sj}$ .

In Phase- $l$ , the received SINR at  $PU_R$ , can be expressed as  $\gamma = \frac{a' P_{jh}^l |h_{2j}|^2}{b' P_{jh}^l |h_{2j}|^2 + 1}$  and  $a' = \frac{\beta}{(D_{sj2})^\nu \sigma^2}$ ,  $b' = \frac{(1-\beta)}{(D_{sj2})^\nu \sigma^2}$ .

Achievable data rate at PU receiver in Phase- $l$  can be written as (on the basis received SINR at PU receiver)

$$R_{PU_{Rj}} = \frac{(1-\tau)}{2} \log_2 \{1 + \gamma\} \quad (3)$$

The signal received at  $SU_p$  can be written as

$$Y_{SU_p}^l = \underbrace{\sqrt{\frac{(1-\beta)P_{jh}^l}{D_3^\nu}} h_s X_{sj}}_{\text{Desired signal}} + \underbrace{\sqrt{\frac{\beta P_{jh}^l}{D_3^\nu}} h_s X_{pt}}_{\text{PU interfering signal}} + \underbrace{\sum_{i=1}^{N_i} \sqrt{\frac{P_{I_{pi}}}{(d_{pi})^\nu}} \zeta_{pi} X_{I_{pi}}}_{\text{Interfering signals from interferers}} + \underbrace{n_{su}}_{\text{Noise}} \quad (4)$$

Based on prior knowledge of PU information from the received signal,  $SU_p$  is able to extract original SU data and remove the PU signal from the received signal. Therefore, achievable throughput at  $SU_p$  in Phase- $l$  can be written as

$$R_{SU_{Rsp}} = \frac{(1-\tau)}{2} \log_2 \left\{ 1 + \frac{c' P_{jh}^l |h_s|^2}{\sum_{i=1}^{N_i} \frac{d_i'}{di'} |\zeta_{pi}|^2 + 1} \right\} \quad (5)$$

where  $c' = \frac{(1-\beta)}{(D_3)^\nu \sigma^2}$ ,  $d_i' = \frac{P_{I_{pi}}}{(d_{pi})^\nu \sigma^2}$ .

### 3 System Outage Analysis

#### 3.1 PU Network Outage Analysis

PU outage probability can be mathematically expressed as

$$Pr_{out}^{PU} = (1 - Pr_{sr_1}) \times (1 - Pr_{sr_2}) \quad (6)$$

$$\text{where } Pr_{sr_j} = \underbrace{Pr(R_{SU_j}^{(IP)} \geq \mathcal{R}_p)}_{\text{Success of link PU}_T \rightarrow \text{SU}_j} \times \underbrace{Pr(R_{PU_{Rj}} \geq \mathcal{R}_p)}_{\text{Success of link SU}_j \rightarrow \text{PU}_R}.$$

Based on (2), the probability of success of information transmission from  $\text{PU}_T$  to  $\text{SU}_j$ , is written as

$$Pr\left\{\frac{A_{p_j} X_j}{C_{p_{ji}} Z_j + 1} \geq u_{t1}\right\} = \int_{\frac{u_{t1}}{A_{p_j}}}^{\infty} f_{x_j}(x_j) dx_j \int_0^{\frac{A_{p_j} x_j - u_{t1}}{C_{p_{ji}} u_{t1}}} f_{z_j}(z_j) dz_j \quad (7)$$

where  $A_{p_j} = \frac{(1-\rho_j)P_T}{(D_{s_{j1}})^{\nu} \sigma^2}$ ,  $C_{p_{ji}} = \frac{(1-\rho_j)P_{I_{ji}}}{(d_{ji})^{\nu} \sigma^2}$ ,  $u_{t1} = 2\left(\frac{\mathcal{R}_p}{\tau}\right) - 1$ . Random variables  $X_j = |h_{1j,n}|^2$ ,  $X_3 = |h_{2j}|^2$  and  $X_s = |h_s|^2$  follow Nakagami distribution.

It is assumed that geographic location of interferers are randomly distributed and specially, they are located in other cluster of cellular network [22]-[23]. Therefore,  $Z_j$ ,  $V_p$  are considered as the sum of  $N_i$  number of exponential random variables and the variables are independent identically distributed (i.i.d.) [24]. Following central chi-squared distribution,  $Z_j$  and  $V_p$  can defined as :  $Z_j = |\zeta_{ji}|^2$  and  $V_p = |\zeta_{pi}|^2$ . Probability density function (PDF) of gamma

distribution of  $Z_j$  can be defined as  $f_{Z_j}(z_j) = \frac{N_i^{N_i} z_j^{N_i-1} \exp\left(-\frac{z_j}{N_i}\right)}{\Gamma(N_i)}$ .

PDF of  $X_j$  is expressed as  $f_{X_j}(x_j) = \frac{(N_{p_a} m_k)^{N_{p_a} m_k} x_j^{N_{p_a} m_k - 1} \exp\left(-\frac{x_j}{N_{p_a} m_k}\right)}{\Gamma(N_{p_a} m_k)}$ .

Therefore, (7) can be expressed as [19], [25],

$$Pr\left\{\frac{A_{p_j} X_j}{C_{p_{ji}} Z_j + 1} \geq u_{t1}\right\} = \frac{\Gamma(N_{p_a} m_k, N_{p_a} m_k \frac{u_{t1}}{A_{p_j}})}{\Gamma(N_{p_a} m_k)} - \exp\left(\frac{N_i m_k}{C_{p_{ji}}}\right) \times \frac{M_p (A_{p_j})^{p_a - r} (u_{t1})^r \left(\frac{N_i m_k}{C_{p_{ji}} u_{t1}}\right)^{p_a} \Gamma\left[m_{rn}, \frac{u_{t1}}{A_{p_j}} \left(N_{p_a} m_k + \frac{N_i m_k A_{p_j}}{C_{p_{ji}} u_{t1}}\right)\right]}{\left(N_{p_a} m_k + \frac{N_i m_k A_{p_j}}{C_{p_{ji}} u_{t1}}\right)^{m_{rn}}} \quad (8)$$

where  $m_{rn} = N_{p_a} m_k + p_a - r$ .  $\Gamma(\cdot, \cdot)$  indicates upper incomplete gamma function and  $\gamma(\cdot, \cdot)$  is the lower incomplete gamma function.

$$M_p = \frac{\sum_{p_a=0}^{N_i m_k - 1} \sum_{r=0}^{p_a} (-1)^r \binom{p_a}{r} (N_{p_a} m_k)^{N_{p_a} m_k}}{p_a! \Gamma(N_{p_a} m_k)}.$$



$$\begin{aligned}
I &= \frac{2M_p \left\{ \frac{u_{tp} N_i}{b} \right\}^{\frac{(m_x)}{2}} K_{m_x} \left\{ 2m_k \sqrt{\frac{u_{tp} N_i}{b}} \right\}}{\Gamma(m_k) \left( \frac{1}{m_k} \right)^{m_k} \left( N_{p_a} m_k - \frac{a N_i m_k}{b} \right)^{N_{p_a} m_k + r}} \times \left( \frac{N_i m_k}{b} \right)^{p_a} (u_{tp})^{p_a - r} (a)^r \Gamma(N_{p_a} m_k + r) \\
&- \left[ \frac{2M_p \sum_{j_t=0}^{N_{p_a} m_k + r - 1} \left\{ \frac{u_{tp} N_{p_a}}{a} \right\}^{\frac{(m_x - j_t)}{2}} \left\{ u_{tp} m_k \left( N_{p_a} - \frac{a N_i}{b} \right) \right\}^{j_t} K_{m_x - j_t} \left\{ 2m_k \sqrt{\frac{u_{tp} N_{p_a}}{a}} \right\}}{\Gamma(m_k) \left( \frac{1}{m_k} \right)^{m_k} \left( N_{p_a} m_k - \frac{a N_i m_k}{b} \right)^{N_{p_a} m_k + r}} \right] \\
&\times \left( \frac{N_i m_k}{b} \right)^{p_a} (u_{tp})^{p_a - r} (a)^r \Gamma(N_{p_a} m_k + r) + \left[ \frac{2 \sum_{p_a=0}^{N_{p_a} m_k - 1} \left( \frac{u_{tp} N_{p_a}}{a} \right)^{\frac{(m_k + p_a)}{2}} (m_k)^{m_k + p_a}}{p_a! \Gamma(m_k)} \right. \\
&\quad \left. \times K_{m_k - p_a} \left( 2m_k \sqrt{\frac{u_{tp} N_{p_a}}{a}} \right) \right] \quad (10)
\end{aligned}$$

The probability of successful data transmission from SU<sub>j</sub> to PU<sub>R</sub> is defined as [19]

$$\begin{cases} Pr \left[ x_3 \geq \frac{u_{tp}}{(ax_j + bz_j)} \right] = I, & \text{for } u_{t2} < \frac{\beta}{(1-\beta)} \\ 0, & \text{otherwise.} \end{cases} \quad (9)$$

Now,  $Pr \left[ x_3 \geq \frac{u_{tp}}{(ax_j + bz_j)} \right]$  can be expressed as (10) [25]. Here  $u_{t2} = 2^{\left(\frac{2\mathcal{R}_p}{1-\tau}\right)} - 1$ ,  $u_{tp} = \frac{u_{t2}}{(a' - b' u_{t2})}$ ,  $m_x = m_k - p_a + r$ . Finally, closed form PU outage expression is possible to derive by putting (8)-(10) in (6).

### 3.2 SU Network Outage Analysis

The outage probability of SU network is mathematically defined as  $Pr_{out}^{SU} = 1 - [Pr(R_{SU_1}^{(IP)} \geq \mathcal{R}_p) \times Pr(R_{SU_2}^{(IP)} \geq \mathcal{R}_p) \times Pr(R_{SU_{R_{s1}}} \geq \mathcal{R}_s) \times Pr(R_{SU_{R_{s2}}} \geq \mathcal{R}_s)]$ .

Following the way of (10),  $Pr \left[ \frac{c'(ax_j + bz_j)x_s}{d' v_p + 1} \geq u_{ts} \right] = I'$  is determined as (11) [25].  $u_{ts} = 2^{\left(\frac{2\mathcal{R}_s}{1-\tau}\right)} - 1$ ,  $m_{sr} = m_k + p_a - r_b + r_g - r_c - r_m$ ,  $K_g(\cdot)$  indicates the mathematical notation of modified Bessel's function. Based on (8) and (11), one can determine the closed form SU outage. where  $\Upsilon_m = \frac{\sum_{t_k=0}^{p_a - r} \binom{p_a - r}{t_k} \sum_{t_u=0}^{T_u} \sum_{t_s=0}^{T_u - 1} \sum_{t_a=0}^{t_s} (-1)^{t_a}}{\binom{T_u}{t_u} t_s! r_s! \sum_{r_t=0}^{R_t} \binom{R_t - r_t}{r_t}}$

$$\begin{aligned}
&\sum_{t_r=0}^{t_a} \sum_{r_l=0}^{t_a - t_r} \Gamma(T_u) \binom{t_s}{t_a} \binom{t_a}{t_r} \binom{t_a - t_r}{r_l} \Gamma(R_t) \sum_{r_s=0}^{R_t - 1} \sum_{r_j=0}^{r_s} \binom{r_s}{r_j}, \\
&m_{rb} = N_{p_a} m_k + p_a - r_b, R_t = N_{p_a} m_k + r + t_s - t_a + r_l, T_{ms} = m_k - p_a + r + 2r_l + t_r - t_a - r_j - r_t, T_u = p_a - r - t_k + N_i m_k.
\end{aligned}$$

$$\begin{aligned}
I' = & \frac{M_p \left(\frac{N_i m_k}{b}\right)^{p_a} \left(\frac{u_{ts}}{c}\right)^{p_a - r} (a)^r \Upsilon_m (di')^{t_u - N_i m_k - t_r - r_l} \left(\frac{u_{ts}}{c b}\right)^{t_u - T_u} 2 \left(\frac{a}{b}\right)^{t_s - t_a} (-a)^{r_l}}{\Gamma(m_k) \Gamma(N_i m_k) (N_i m_k)^{p_a - r - t_k - t_s} (N_{p_a} m_k)^{R_t - r_t} \left(\frac{N_i m_k a c'}{u_{ts} di'}\right)^{r_t}} \\
& \times \left(\frac{1}{b}\right)^{t_a - t_r - r_l} \left(\frac{u_{ts}}{c}\right)^{t_a - t_r - 2r_l} \left(\frac{N_i m_k}{di'}\right)^{r_s - r_j} (m_k)^{m_k} \left(\frac{N_{p_a} m_k u_{ts}}{a c'}\right)^{r_j} \left\{\frac{u_{ts} N_{p_a}}{a c'}\right\}^{\frac{T_{ms}}{2}} \\
& \times K_{T_{ms}} \left\{2m_k \sqrt{\frac{u_{ts} N_{p_a}}{a c'}}\right\} + \left[1 - 2 \sum_{p_a=0}^{N_i m_k - 1} \left(\frac{N_i m_k}{di'}\right)^{p_a - r_g} \sum_{r_b=0}^{p_a} (-1)^{r_b} \left(\frac{a c'}{u_{ts}}\right)^{p_a - r_b - r_m}\right. \\
& \left. \times \frac{(di')^{r_m} \Gamma(m_{rb}) \left(\frac{u_{ts} N_{p_a} m_k}{a c'}\right)^{r_c - r_g} \sum_{r_c=0}^{m_{rb} - 1} \sum_{r_g=0}^{r_c} \binom{r_c}{r_g} \left(\frac{u_{ts} N_{p_a}}{a c'}\right)^{\binom{m_{sr}}{2}} K_{m_{sr}} \left(2m_k \sqrt{\frac{u_{ts} N_{p_a}}{a c'}}\right)}{r_b! r_c! \Gamma(m_k) \Gamma(N_{p_a} m_k) \left(\frac{1}{m_k}\right)^{m_k} \sum_{r_m=0}^{m_{rb}} \left(\frac{a c'}{u_{ts} di'}\right)^{r_m} \binom{m_{rb}}{r_m} (N_{p_a} m_k)^{p_a - r_b - r_m}}\right]; \tag{11}
\end{aligned}$$

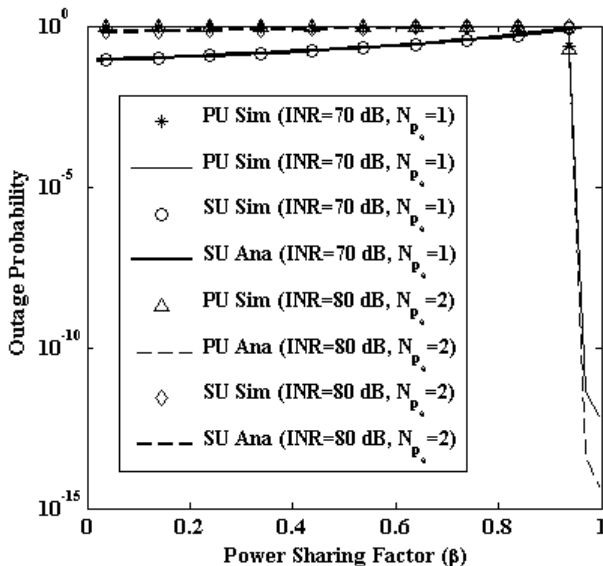
## 4 Numerical Results

In Table-2, the simulation parameters are provided. The location of both the SU nodes are considered at the middle between two PU nodes. Received power at  $SU_j$  from  $PU_T$  is considered 1.5 dBm and almost 10% PU outage is observed for  $\beta = 0.94$  at PU transmit power ( $P_T$ )=43 dBm. Monte-Carlo simulation is done to verify the analytical results. MATLAB software is used to analyse the performance of proposed model.

Figure 2 depicts the outage performances of both PU and SU network with respect to power sharing factor ( $\beta$ ). As illustrated in figure, outage performance of PU network is degraded and outage performance of SU network is improved with the gradual increase in  $\beta$  value. At the very high value of  $\beta$ , SU outage is found to be very poor for reliable communication. At the high value of  $\beta$ , allocation of more power for PU transmission and less power allocation for

**Table 2** Simulation parameters

Parameter	Values
$\rho_1 = \rho_2 = \rho$	0.9
$\eta$	0.9
$\tau$	0.5
$\nu$	2.7
$L_p$	70 m
$d_3$	15 m
Noise variance	-90 dBm
$\mathcal{R}_p$	1 bps/Hz
$\mathcal{R}_s$	0.2 bps/Hz



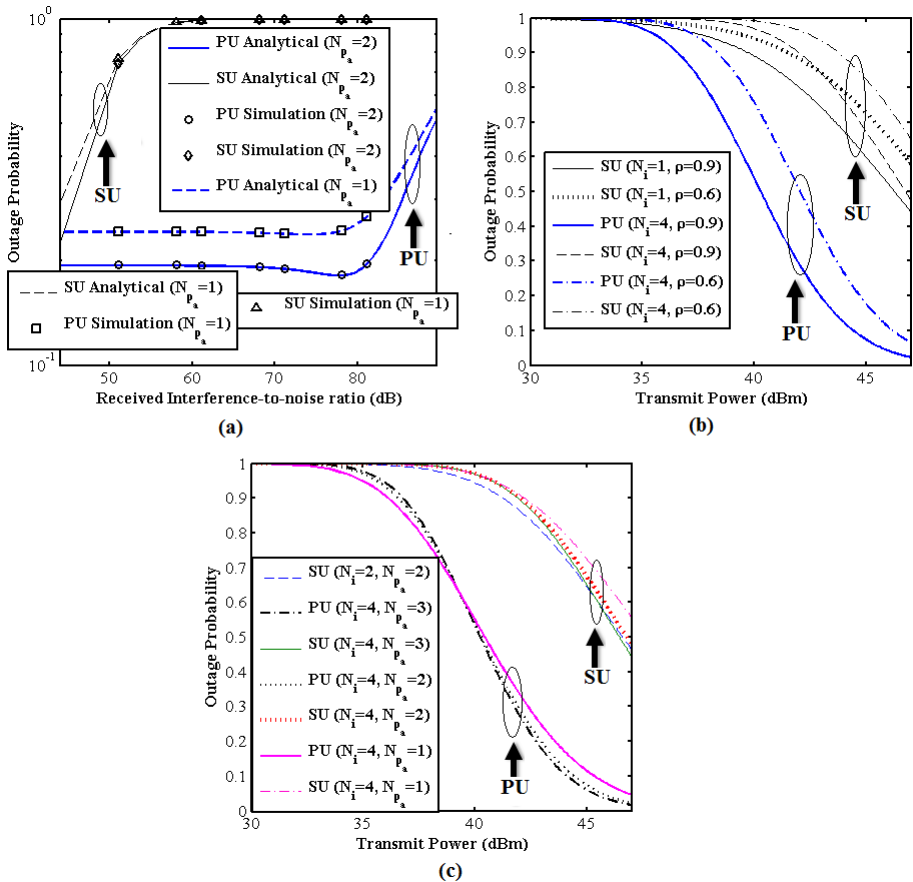
**Fig. 2** Outage probability vs.  $\beta$  at transmit power=43 dBm

SU transmission is the reason of these outage performances of the proposed system. About 99% PU outage performance is improved at  $\beta = 0.97$  and about 86% SU outage improvement is found at  $\beta = 0.1$ .

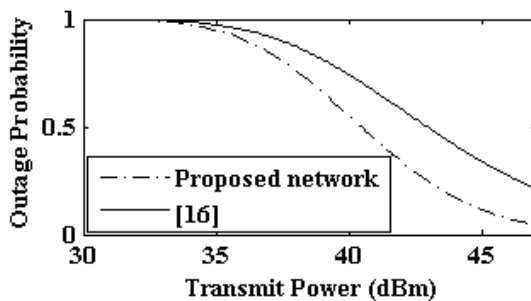
Figure 3.a shows the outage performances of PU and SU outage vs received INR at  $SU_j$ . Simulation outputs exactly satisfy the analytical outputs. If INR is less, then PU and SU outage are found as low. As shown in figure, SU outage deteriorates (increases) very fast with increasing INR and after reaching at certain level of INR, SU outage is the worst (found as 1). A sluggish improvement of PU outage (decreases) is observed with the increase in the level of INR and it can reach its minimum probability for certain level of INR. Thereafter, the enhancement in INR level is responsible for further PU outage deterioration. About 20% and 15% performance gains are found for both PU and SU outage for the increase in  $N_{p_a}$  from 1 to 2 at INR=46 dB. It is also depicted in figure that if INR crosses 50 dB limit, the improvement of SU outage is insignificant for the increase in  $N_{p_a}$  from 1 to 2.

**Table 3** Comparative outage performance study of SU network for the presence or absence of CCI at SU nodes

Outage probability at transmission power=45 dBm		
	Presence of CCI	Absence of CCI
For $\rho_1 = \rho_2 = \rho=0.9$	0.5982 ( $N_i=1$ ), 0.6724 ( $N_i=4$ )	$1.98 \times 10^{-10}$
Improvement at $\rho=0.9$ over $\rho=0.6$	18% (for $N_i=1$ )	29%
For $N_{p_a} = 3$	0.65 ( $N_i=4$ )	$1.78 \times 10^{-10}$



**Fig. 3** Outage probability with respect to (a) received level of INR at  $SU_j$  for given  $N_i = 1$ , (b) transmission power for the variation of both  $\rho$  and  $N_i$  at  $N_{p_a} = 2$ , (c) transmission power for the variation of both  $N_i$  and  $N_{p_a}$



**Fig. 4** PU Outage probability vs. transmit power for  $N_i = 2$ ,  $N_{p_a} = 1$ , INR=100 dB

Figure 3.b and 3.c illustrate the response of PU and SU outage probability with respect to the change in PU transmit power. The observation in Figure 3.b is found for different values of  $N_i$ ,  $\rho$  and the observation in Figure 3.c is found for different values of  $N_{p_a}$ ,  $N_i$ . The performances are depicted for received INR = 51 dB. When  $\beta$  is high, then the performance of PU outage is better (low) than SU outage. With the increase in  $N_{p_a}$ , the performances are improved together. As CCI is also the source EH, therefore, harvested energy is enhanced with the increase in  $N_i$  and its effect is also observed on the performance of the proposed system. PU outage variation is not so significant but, the outage variation of SU is more sensitive with the change in the value of  $N_i$ .

As shown in Figure 3.b, it is observed that if  $\rho$  is chosen for a certain level of interference power, then the performance gains in terms of both PU and SU outage are achieved. It is also observed that both the outage performances are very poor at very low value or very high value of  $\rho$  at the fixed value of  $\tau$ . The performances are found to be optimum at the moderate value of  $\rho$ . The characteristics of the plot can be explained as follows. If  $\rho$  value is very high, power allocation for harvesting energy is also found to be high and consequently, less power is allocated for information processing. Therefore, high value of  $\rho$  is the reason to obtain low data rate of achievable throughput in first time slot following (2). Reverse case of low achievable rate of relaying occurs for low value  $\rho$ .

Figure 3.b shows 58% and 18% PU and SU outage improvements at  $\rho=0.9$  compared to  $\rho=0.6$  for  $P_T=45$  dBm and  $N_i=4$ . It is also observed that SU outage is 11% deteriorated with the increasing number of interferers from  $N_i=1$  to 4 considering same mean interference power.

In Figure 3.c, significant outage improvement is seen for the increasing number of antennas at PU transmitter. 48% and 10% PU and SU outage improvements are achieved for increasing number of antennas from  $N_{p_a}=1$  to  $N_{p_a}=3$  at  $P_T=45$  dBm and  $N_i=4$ . It is also observed that PU outage is same but, SU outage is found to be inferior (high value) in presence of CCI compared to the absence of CCI at SU nodes. In Table-3, a brief comparative study is shown on the performance of SU outage between the proposed system in presence of CCI and in absence of CCI.

The PU outage performance comparison between the proposed network and [16] is shown in Figure 4 with respect to transmit power for  $N_{p_a} = 1$ , INR=70 dB and  $N_i = 2$ . Since, two SU nodes are associated with the transmission of PU information, therefore, the proposed network performance is better than [16]. About 26% performance gain is achieved using the proposed network compared to [16]. As the performance gain of SU outage of the proposed network is insignificant compared to [16], therefore, SU outage performance comparison is not shown in the figure.

## 5 Conclusions

In the present work, the dual effects of CCI from multiple interferers and the positive impact of multiple antennas present at PU transmitter on the system performance of RF EH enabled one-way PU communication and two-way SU communications is discussed for an overlay mode of CCRN. Closed form PU and SU outage expressions have been analysed that exactly match the simulation outputs. The proposed system is performed better at higher value of PS factor with large number of CCIs. It is found that the performances of PU and SU outage are improved by 48% and 10%, respectively with the increasing number of antennas from 1 to 3.

- This work is possible to extend further considering the presence of CCI at both PU and SU nodes.
- The similar network performance analysis can be done for amplify-and-forward relay assisted underlay mode of CCRN.
- Outage analysis is also possible to extend considering the non-linear effect of RF EH circuit.

## Statements and Declarations

★ **Ethical Approval:** It is hereby declared that the manuscript (in part or full) has not yet been submitted nor under consideration anywhere else for possible publication.

★ **Consent to Participate:** Not applicable.

★ **Consent to Publish:** Not applicable.

★ **Authors Contributions:** All authors contributed to the study conception and design. Material preparation and analysis were performed by Sutanu Ghosh, Santi P. Maity and Tamaghna Acharya.

★ **Funding:** The authors declare that no funds, grants, or other support were received during the preparation of this manuscript.

★ **Conflicts of interest :** The authors declares that they have no known competing financial interests or personal relationships that could have appeared to influence the work reported in this paper.

★ **Data availability statement :** Data sharing not applicable to this article as no data-sets were generated or analysed during the current study.

## References

- [1 ] S. Khwandah, J. Cosmas, I. A. Glover, P. I. Lazaridis, G. Araniti and Z. D. Zaharis, “An Enhanced Cognitive Femtocell Approach for Co-Channel Downlink Interference Avoidance,” *IEEE Wireless Communications*, vol. 23, no. 6, pp. 132-139, Dec. 2016.
- [2 ] Q. Li, M. Yu, A. Pandharipande and X. Ge, “Outage Analysis of Co-Operative Two-Path Relay Channels,” *IEEE Transactions on Wireless Communications*, vol. 15, no. 5, pp. 3157-3169, May 2016.

- [3 ] I. F. Akyildiz, W. Lee, M. C. Vuran and S. Mohanty, "A survey on spectrum management in cognitive radio networks," *IEEE Communications Magazine*, vol. 46, no. 4, pp. 40-48, Apr 2008.
- [4 ] A. Goldsmith, S. A. Jafar, I. Maric and S. Srinivasa, "Breaking spectrum gridlock with cognitive radios: an information theoretic perspective," *in Proceedings of the IEEE*, vol. 97, no. 5, pp. 894-914, May 2009.
- [5 ] F. K. Ojo and M. F. Mohd Salleh, "Energy Efficiency Optimization for SWIPT-Enabled Cooperative Relay Networks in the Presence of Interfering Transmitter," *IEEE Communications Letters*, vol. 23, no. 10, pp. 1806-1810, Oct. 2019.
- [6 ] I. Krikidis, S. Timotheou, S. Nikolaou, G. Zheng, D. W. K. Ng, R. Schober, "Simultaneous wireless information and power transfer in modern communication systems," *IEEE Communications Magazine*, vol. 52, no. 11, pp. 104 - 110, Nov. 2014.
- [7 ] B. Clerckx, K. Huang, L. R. Varshney, S. Ulukus and M. -S. Alouini, "Wireless power transfer for future networks: signal processing, machine learning, computing, and sensing," *IEEE Journal of Selected Topics in Signal Processing*, vol. 15, no. 5, pp. 1060-1094, Aug. 2021.
- [8 ] Y. Han, A. Pandharipande, and S. H. Ting, "Cooperative Decode-and-Forward Relaying for Secondary Spectrum Access," *IEEE Transactions on Wireless Communications*, vol. 8, no. 10, pp. 4945 - 4950, Oct. 2009.
- [9 ] Y. Li, K. Chi, H. Chen, Z. Wang, and Y. Zhu , "Narrowband Internet of Things Systems With Opportunistic D2D Communication," *IEEE Internet of Things Journal*, vol. 5, no. 3, pp. 1474-1484, Jun. 2018.
- [10 ] P. Gandotra and R. K. Jha, "Device-to-device communication in cellular networks: A survey," *Elsevier Journal of Network and Computer Applications*, vol. 71, pp. 99 - 117, Aug. 2016.
- [11 ] D. S. Gurjar, H. H. Nguyen and H. D. Tuan, "Wireless Information and Power Transfer for IoT Applications in Overlay Cognitive Radio Networks," *IEEE Internet of Things Journal*, vol. 6, no. 2, pp. 3257-3270, Apr. 2019.
- [12 ] Y. Lou, R. Sun, J. Cheng, D. Nie and G. Qiao, "Secrecy Outage Analysis of Two-Hop Decode-and-Forward Mixed RF/UWOC Systems," *IEEE Communications Letters*, pp. 1-5, doi: 10.1109/LCOMM.2021.3058988 Feb. 2021.
- [13 ] L. Han, W. -P. Zhu and M. Lin, "Outage Analysis of Multi-relay NOMA-based Hybrid Satellite-Terrestrial Relay Networks," *IEEE Transactions on*

- Vehicular Technology*, pp. 1-17, doi: 10.1109/TVT.2022.3163312 Mar. 2022.
- [14 ] S. S. Kalamkar and A. Banerjee, "Interference-Aided Energy Harvesting: Cognitive Relaying With Multiple Primary Transceivers," *IEEE Transactions on Cognitive Communications and Networking*, vol. 3, no. 3, pp. 313-327, Sep. 2017.
- [15 ] Md. Fazlul Kader, "Interference aided cooperative SWIPT for cellular IoT networks towards 5G and beyond," *Physical communication*, vol. 43, pp. 1-18, Dec. 2020.
- [16 ] J. He, S. Guo, G. Pan, Y. Yang and D. Liu, "Relay Cooperation and Outage Analysis in Cognitive Radio Networks With Energy Harvesting," *IEEE Systems Journal*, vol. 12, no. 3, pp. 2129-2140, Sep. 2018.
- [17 ] A. A. Nasir, X. Zhou, S. Durrani and R. A. Kennedy, "Relaying Protocols for Wireless Energy Harvesting and Information Processing," *IEEE Transactions on Wireless Communications*, vol. 12, no. 7, pp. 3622-3636, Jul. 2013.
- [18 ] A. A. Nasir, X. Zhou, S. Durrani and R. A. Kennedy, "Wireless-Powered Relays in Cooperative Communications: Time-Switching Relaying Protocols and Throughput Analysis," *IEEE Transactions on Communications*, vol. 63, no. 5, pp. 1607-1622, May 2015.
- [19 ] S. Ghosh, T. Acharya, and S. P. Maity, "On Outage Analysis in SWIPT Enabled Bidirectional D2D Communications using Spectrum Sharing in Cellular Networks," *IEEE Transactions on Vehicular Technology*, vol. 69, no. 9, pp. 10167 - 10176, Sep. 2020.
- [20 ] S. T. Shah, K. W. Choi, S. F. Hasan, and M. Y. Chung, "Throughput analysis of two-way relay networks with wireless energy harvesting capabilities," *Ad Hoc Networks*, vol. 53, pp. 123 - 131, Dec. 2016.
- [21 ] A. Prathima, D. S. Gurjar, H. H. Nguyen and A. Bhardwaj, "Performance Analysis and Optimization of Bidirectional Overlay Cognitive Radio Networks With Hybrid-SWIPT," *IEEE Transactions on Vehicular Technology*, vol. 69, no. 11, pp. 13467-13481, Nov. 2020.
- [22 ] J. A. Hussein, S. S. Ikki, S. Boussakta and C. C. Tsimenidis, "Performance Analysis of Opportunistic Scheduling in Dual-Hop Multiuser Underlay Cognitive Network in the Presence of Cochannel Interference," *IEEE Transactions on Vehicular Technology*, vol. 65, no. 10, pp. 8163-8176, Oct. 2016.
- [23 ] J. A. Hussein, S. Boussakta and S. S. Ikki, "Performance Study of a UCRN Over Nakagami-  $m$  Fading Channels in the Presence of CCI," *IEEE*



*Transactions on Cognitive Communications and Networking*, vol. 3, no. 4, pp. 752-765, Dec. 2017.

[24 ] B. Li, J. Zhou, Y. Zou and F. Wang, “Closed-Form Secrecy Outage Analysis of Cellular Downlink Systems in the Presence of Co-Channel Interference,” *IEEE Transactions on Wireless Communications*, vol. 17, no. 7, pp. 4721-4734, Jul. 2018.

[25 ] I. S. Gradshteyn, and I. M. Ryzhik, “Table of Integrals, Series, and Products,” Academic Press, Edition 7, 2007.